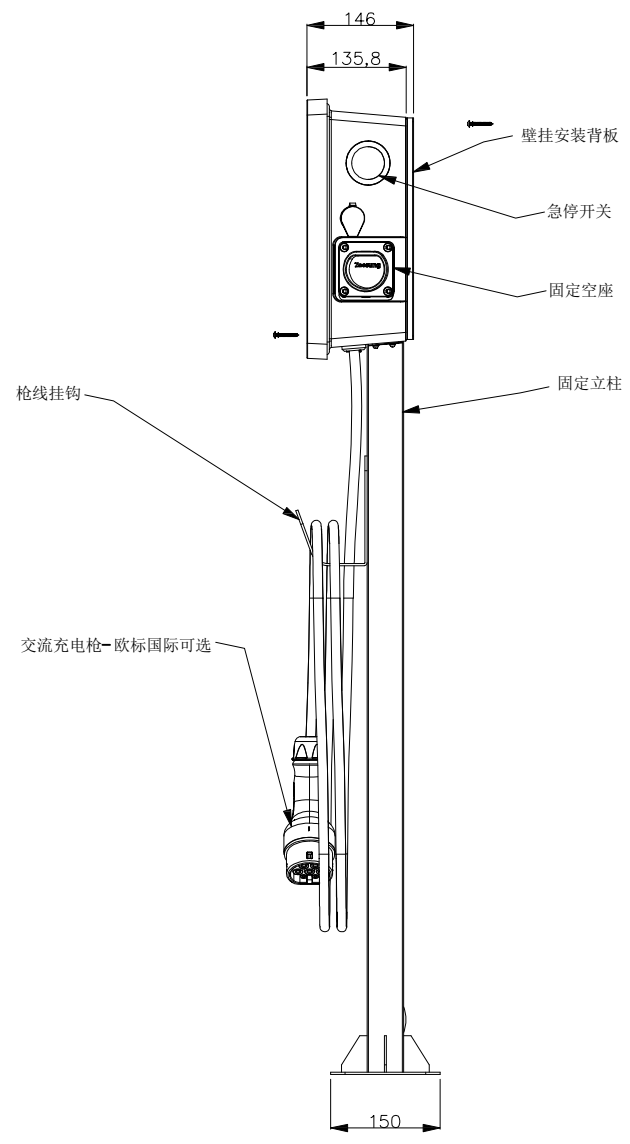
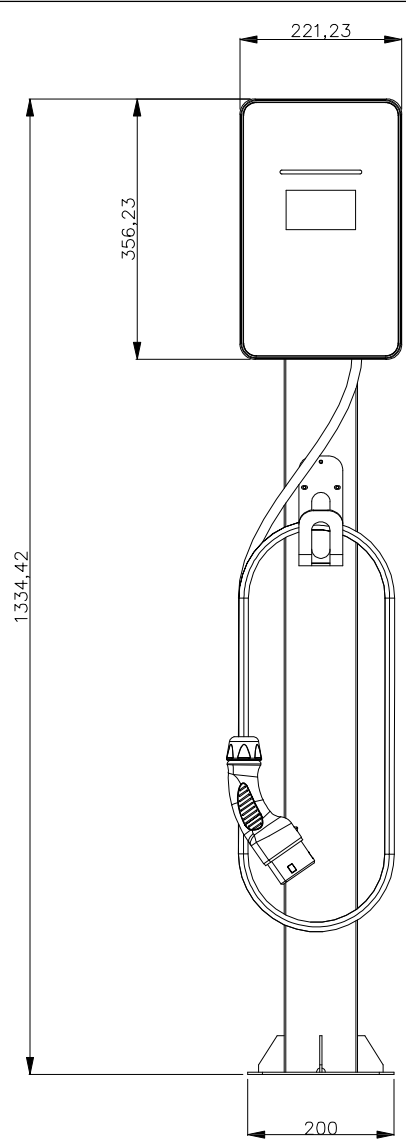


The product using material and processing must conform to the "WI-PZ-001"HSF technical standard control requirements



REV.	REVISION RECORD	DATE		GENERAL TOLERANCES		SCALE: 1:1	NAME	DATE	PART.NO: AC7000-AG-24	DWG.NO: ENDE05	 WanLian Teconology Co., Ltd
A0	NEW RELEASE	21.10.12		LINEAR	ANGLES	APPROVED	Wang_jr	21.10.12			
			0.0±0.35	X°REF±6°	DESIGNER	Han_Gao	21.10.12	TITLE: 交流充电桩			
			UNIT:mm	0.00±0.25	X'±3'	DRAWN	Zijun_Huang		21.10.12		
			SIZE: A4	0.000±0.10	X°X'±2°				REV: A0	SHEET: 1/1	