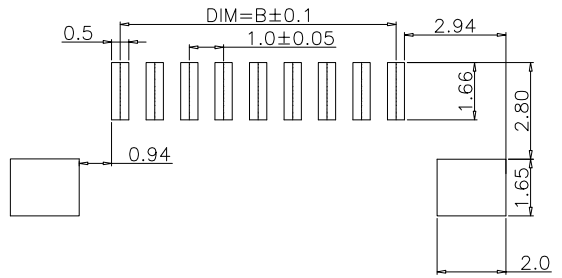
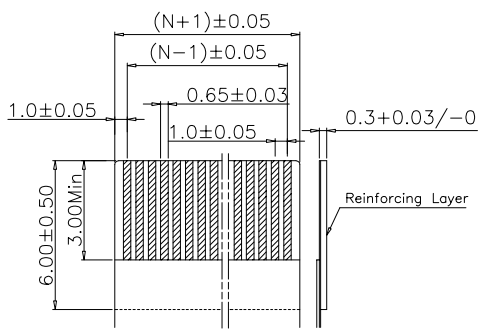


RoHS+HF

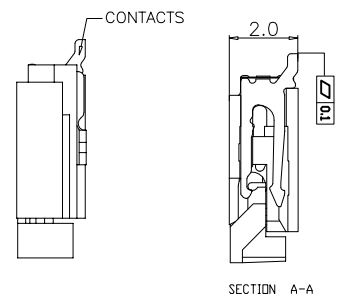
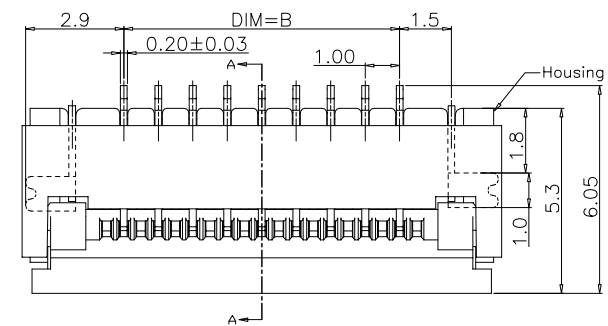
The product using material and processing must conform to the "WL-PZ-001" HSF technical standard control requirements



PCB Layout



RECOMMENDED FFC/FPC DIM.



NOTE:  
 1.MATERIAL SPECIFICATION:  
 1-1.HOUSING: LCP,UL94-V0,  
 1-2.COVER: LCP,UL94-V0,BLACK  
 1-3.CONTACTS: PHOSPHOR BRONZE  
 1-4.SOLDER TABS: BRASS  
 2.PLATING SPECIFICATION:  
 2-1.CONTACTS:  
 TIN/GOLD FLASH PLATED OVER ALL.  
 2-2.SOLDER TABS:  
 TIN/GOLD FLASH PLATED OVER ALL.  
 3.MECHANICAL PERFORMANCE:  
 3-1.RETENTIVITY FORCE: 0.03KGF/pin min  
 3-2.DURABILITY: 20 CYCLES.  
 4.ELECTRICAL PERFORMANCE:  
 4-1.CURRENT RATING: 1.0A  
 RATED VOLTAGE : 125V AC/DC  
 4-2.CONTACT RESISTANCE: 30 mΩ MAX  
 4-3.INSULATION RESISTANCE: 500MΩ Min  
 4-4.DIELECTRIC WITHSTANDING : 500V AC  
 5.ENVIRONMENTAL PERFORMANCE:  
 5-1.OPERATING TEMPERATURE: -25°C~+85°C.  
 6.PACKAGE SPEC:REEL  
 7.P/N:  
 F1004 20 F 9-1 XX 2 X X 01  
 SERIES NO:  
 HEIGHT:  
 20: 2.0mm  
 MALE FEMALE:  
 F-FEMALE  
 ANGLE:  
 9-90°  
 ROW NO:  
 1-SINGLE ROW  
 COLOR:  
 M-BEIGE  
 K-WHITE  
 S-NATURE  
 PLATING:  
 A-ALL AU G/F  
 D-MATTE TIN  
 C-BRIGHE TIN  
 TERMPPOINT:  
 2-SMT  
 PIN Q'PY:  
 04~40

Circuit	Dimensions (mm)		
	A	B	C
04P	8.9	3.0	5.1
05P	9.9	4.0	6.1
06P	10.9	5.0	7.1
07P	11.9	6.0	8.1
08P	12.9	7.0	9.1
09P	13.9	8.0	10.1
10P	14.9	9.0	11.1
11P	15.9	10.0	12.1
12P	16.9	11.0	13.1
13P	17.9	12.0	14.1
14P	18.9	13.0	15.1
15P	19.9	14.0	16.1
16P	20.9	15.0	17.1
17P	21.9	16.0	18.1
18P	22.9	17.0	19.1
19P	23.9	18.0	20.1
20P	24.9	19.0	21.1
21P	25.9	20.0	22.1
22P	26.9	21.0	23.1
23P	27.9	22.0	24.1
24P	28.9	23.0	25.1
25P	29.9	24.0	26.1
26P	30.9	25.0	27.1
27P	31.9	26.0	28.1
28P	32.9	27.0	29.1
29P	33.9	28.0	30.1
30P	34.9	29.0	31.1
31P	35.9	30.0	32.1
32P	36.9	31.0	33.1
33P	37.9	32.0	34.1
34P	38.9	33.0	35.1
35P	39.9	34.0	36.1
36P	40.9	35.0	37.1
37P	41.9	36.0	38.1
38P	42.9	37.0	39.1
39P	43.9	38.0	40.1

	COMPONENTS	MATERIALS	COLOR/SPECIFICATION	QUANTITY
1	HOUSING	THERMOPLASTIC	NATURAL UL94V-0	1 PCS
2	COVER	THERMOPLASTIC	BLACK UL94V-0	1 PCS
3	CONTACTS	PHOSPHOR BRONZE	T=0.20mm PLATING	POSITIONS
4	SOLDER TABS	BRASS	T=0.20mm PLATING	2 PCS

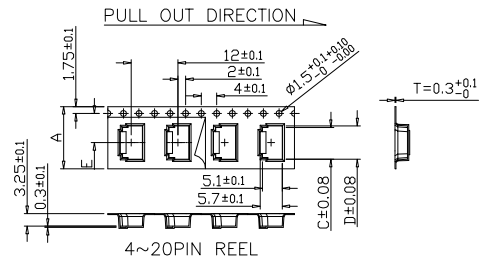
REV.	REVISION RECORD	DATE	UNIT:mm	GENERAL TOLERANCES		SCALE: 1:1	NAME	DATE	PART.NO:	DWG.NO:
A0	NEW RELEASE	22.10.28		SIZE: A4	LINEAR	ANGLES	APPROVED	Wang_jr	22.10.28	F100420F9-1XX2XX01
			0.0±0.35		X'REF±6°	DESIGNER	Han_Gao	22.10.28	TITLE:	
			0.00±0.25		X'±3°	DRAWN	LanXuan_Hou	22.10.28	Pitch 1.00mm H2.0mm卧贴前掀盖下接触 FPC	
			0.000±0.10		X'X' ±2°					



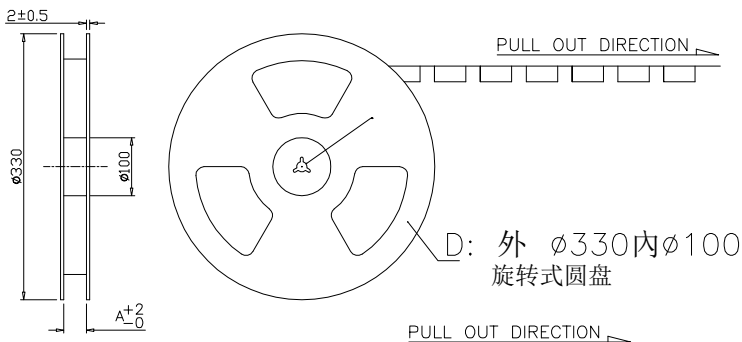
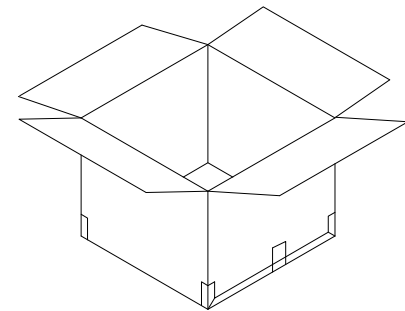
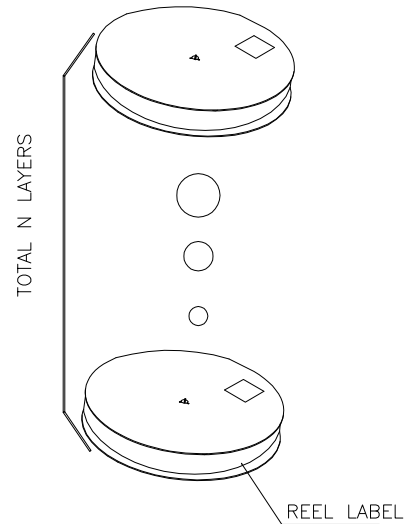
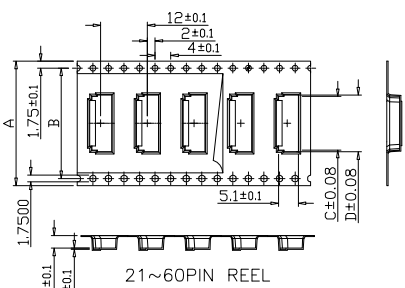
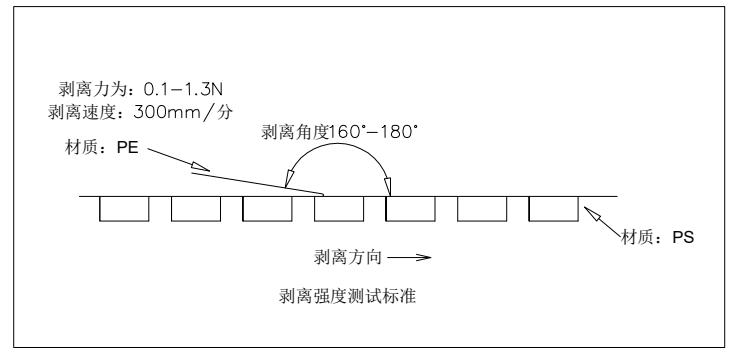
REV: A0 SHEET: 1/2

The product using material and processing must conform to the "WL-PZ-001" HSF technical standard control requirements

RoHS+HF



- NOTES:
- MATERIAL:
    - CARRY TAPE:HIPS,T=0.30±0.05mm,CLEAR
    - REEL:HIPS,
    - SHIM:PE,CLEAR.
  - PRIMARY PACKING:2000PCS/REEL.
  - SECONDARY PACKING:SEE PACKING LIST
  - PEELING RESISTANCE: 0.1~1.3N; PEELING ANGLE: 165°~180°; PEELING SPEED: 300mm/minutes.



160~200mm	2000PCS	200~300mm
TAIL PART (EMPTY)	COMPONENT SUPPLIER	LEADER PART (EMPTY)

5. QTY. LIST:

Circuit	A	B	PCS/盘
4PIN	16.0	—	2000
5~11 PIN	24.0	—	2000
12~16 PIN	32.0	28.4	2000
17~28 PIN	44.0	40.4	2000

REV.	REVISION RECORD	DATE	GENERAL TOLERANCES		SCALE:	NAME	DATE	PART.NO:	DWG.NO:
AO	NEW RELEASE	22.10.28	LINEAR	ANGLES	1:1	Wang_jr	22.10.28	F100420F9-1XX2XX01	ENDE05
			0.0±0.35	X°REF±6°	APPROVED	Han_Gao	22.10.28	TITLE:	 WanLian Teconology Co., Ltd
			0.00±0.25	X'±3°	DESIGNER	LanXuan_Hou	22.10.28	Pitch 1.00mm H2.0mm卧贴前掀盖下接触 FPC	
			0.000±0.10	X°X'±2°	DRAWN			REV: A0 SHEET: 2/2	