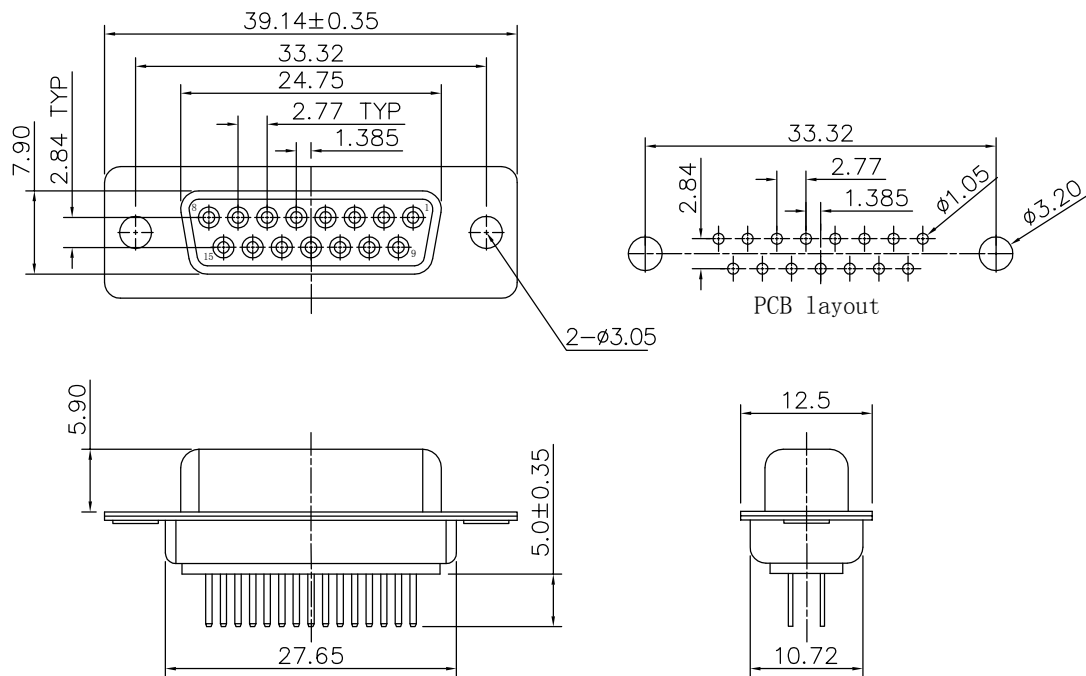
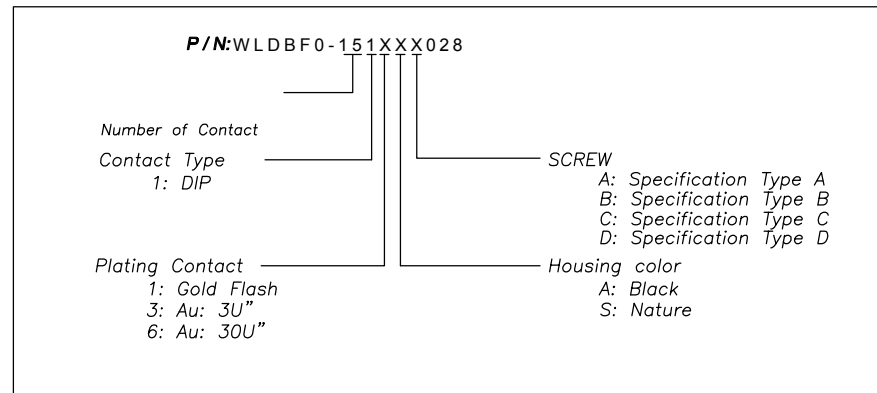


The product using material and processing must conform to the "WL-PZ-001"HSF technical standard control requirements



- NOTE
- MATERIAL:
 - INSULATOR: PBT+30% GLASS FIBER UL94V-0
COLOR:BLACK
 - TERMINAL: COPPER ALLOY BRASS T=0.20±0.02mm
GOLD FLASH ON CONTACT AREA AND TIN 80U" ON SOLDER TAIL; NICKEL:30U" ON THE BASE
 - SHELL: FRONT SHELL:SPCC-SD T=0.35±0.02mm
PLATING:Cu50u"/Ni50u" ;
REAR SHELL:SPCC-SD T=0.35±0.02mm
PLATING:Cu50u"/Tin80u"
 - BOARD LOCK: COPPER ALLOY, PLATING: Cu50u"/Ni40u"
 - SCREW: STEEL, PLATING: Cu50u"/Ni40u"
 - SALT SPRAY: PLATING GOLD, 24H; OTHER PART: 12H .
 - ELECTRICAL:
 - INSULATOR RESISTANCE: 1000MEGOHMS MIN AT 500V DC.
 - DIELECTRIC WITHSTANDING VOLTAGE: 500V AC R.M.S
 - VOLTAGE TATING: 40V AC (RMS) CONTINUOUS MAX.
 - CURRENT RATING: 3A.
 - CONTGACT RESISTANCE: 30 MILLIOHMS MAX.
 - MECHANICAL
 - INSERTION/EXTRACTION FORCE PER CONTACT: 5.0Kgf Max
0.45Kgf Min.
 - ENVIRONMENTAL
 - TEMPERATURE RANGE:-55°C TO + 105°C.

ORDER INFORMATION



Specification Type			
A	B	C	D

REV.	REVISION RECORD	DATE	GENERAL TOLERANCES		SCALE:	NAME	DATE	PART.NO:	DWG.NO:	 WanLian Technology Co., Ltd	
A0	NEW RELEASE	21.01.13	 LINEAR	 ANGLES	1:1	Wang_jr	21.01.13	WLDBF0-151XXX028	ENDE05		
A1	ADD MATERIAL THICK AND PLATING	23.04.27			0.0±0.35						X°REF±6°
			UNIT:mm	X°±3°	DESIGNER	Ou_jian	21.01.13	TITLE:			
			SIZE:A4	0.000±0.10	X°X' ±2°	DRAWN	Hou-lanxuan	21.01.13	DP 15F DIP		
										REV: A0	SHEET: 1/1