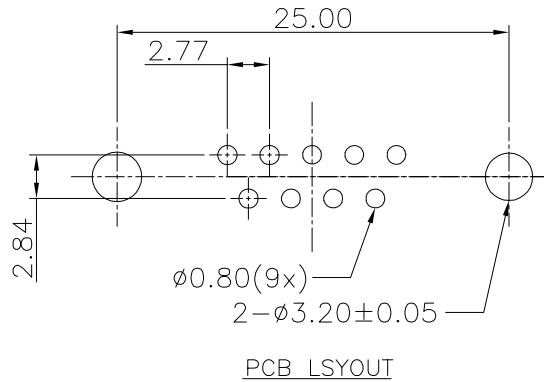
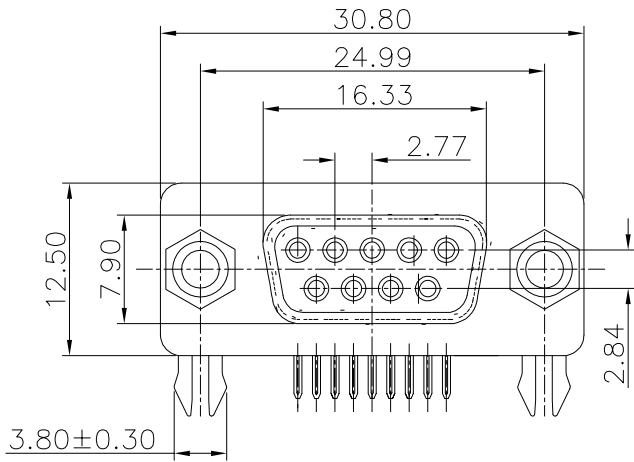


The product using material and processing must conform to the "WI-PZ-001"HSF technical standard control requirements

RoHS



NOTE:

1.MATERIAL SPECIFICATION:

- 1-1.HOUSING: PBT UL94V-0 BLACK.
- 1-2.CONTACTS: COPPER ALLOY
- 1-3.SHELL: SPCC
- 1-4.RIVET: COPPER ALLOY.

2.PLATING:

- 2-1.CONTACT:
 - 80u" Min. TIN PLATED OVERALL
 - 50u" Min. NICKEL UNDER-PLATED
- 2-2.SHELL: 50u" Min. NICKEL PLATED OVERALL
- 2-3.RIVET: NICKEL PLATED OVERALL

3.MECHANICAL PERFORMANCE:

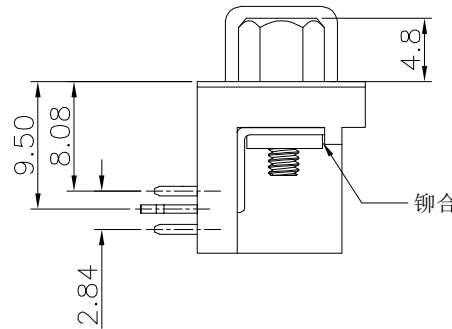
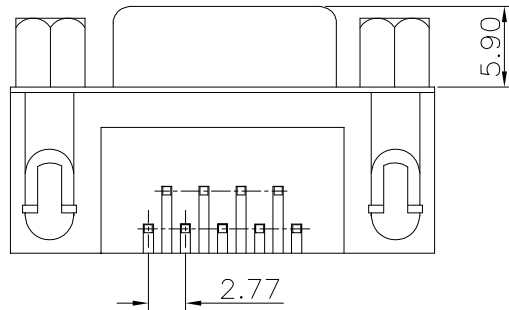
- 3-1.MATING FORCE: 5.1Kg.Max.
- 3-2.UNMATING FORCE: 1.0~4.0Kg.

4.ELECTRICAL PERFORMANCE:

- 4-1.CURRENT RATING: 3A
- 4-2.VOLTAGE RATING: 250V MAX
- 4-3.CONTACT RESISTANCE: 25mΩ Max.
- 4-4.INSULATION RESISTANCE: 5000MΩ MIN
- 4-5.DIELECTRIC WITHSTANDING VOLTAGE: 1000V AC Min

5.ENVIRONMENTAL PERFORMANCE:

- OPERATING TEMPERATURE: -55°C~+105°C.



REV.	REVISION RECORD	DATE		GENERAL TOLERANCES		SCALE: 1:1	NAME	DATE	PART.NO: WLDBF9-0917A0098	DWG.NO: ENDE05	
A1	NEW RELEASE	22.08.17		LINEAR	ANGLES	APPROVED	Wang_jr	22.08.17			
			UNIT:mm	0.00±0.25	X°±3°	DESIGNER	Han_Gao	22.08.17	TITLE: DR8.08 9F 90°DIP		REV: A1 SHEET: 1/1
			SIZE: A4	0.000±0.10	X°X' ±2°	DRAWN	Zijun_Huang	22.08.17			