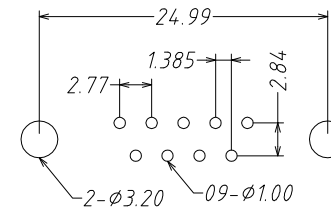
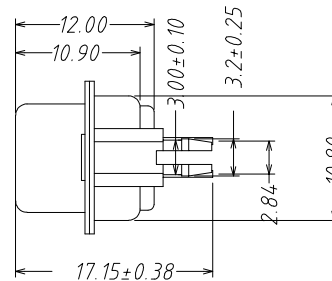
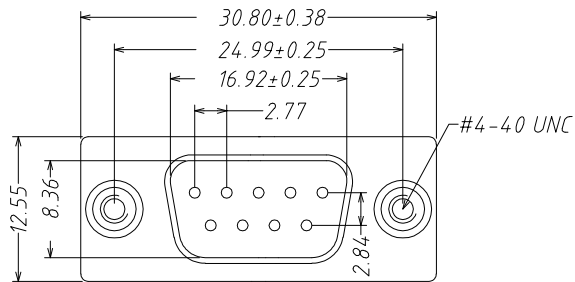
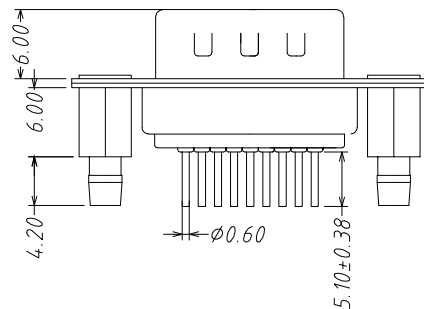


The product using material and processing must conform to the "WL-PZ-001"HSF technical standard control requirements

RoHS



RECOMMENDED PCB LAYOUT



NOTE:  
 1.MATERIAL SPECIFICATION:  
 1-1.HOUSING:PBT FIBER 30% (UL94V-0)  
 1-2.CONTACTS:BRASS  
 1-3.SHELL: SPCC.  
 2.PLATING SPECIFICATION:  
 2-1.CONTACTS:  
 NI 40U" MIN. UNDER PLATED OVER ALL.  
 AU PLATED ON THE FUNCTIONAL AREA OF CONTACT.  
 2-2. SHELL:  
 NI 30U" MIN. UNDER PLATED OVER ALL.  
 3.ELECTRICAL PERFORMANCE:  
 3-1.CURRENT RATING:1.5A  
 3-2.VOLTAGE RATING:AC 300V  
 3-3.CONTACT RESISTANCE: 30mΩ MAX.  
 3-4.INSULATION RESISTANCE: 3000MΩ MIN  
 3-5.DIELECTRIC WITHSTANDING VOLTAGE: 1000V r.m.s.

P/N:  
 WLDBM0-09 1 X X X 093

PLATING:  
 1-G/F  
 2-AU 3U"  
 5-AU 15U"  
 6-AU 30U"  
 COLOUR:  
 A-BLACK  
 K-WHITE

SPECIFICATION TYPE:  
 A-TYPE A  
 B-TYPE B  
 C-TYPE C  
 D-TYPE D

Specification Type

A	B	C	D

REV.	REVISION RECORD	DATE		GENERAL TOLERANCES		SCALE: 1:1	NAME	DATE	PART.NO:	DWG.NO:		
A0	NEW RELEASE	21.11.17		LINEAR	ANGLES	APPROVED	Wang_jr	21.11.17	WLDBM0-0911AA093	ENDE05		
			UNIT:mm	X'REF±6'	DESIGNER	Han_Gao	21.11.17	TITLE:		REV: A0		SHEET: 1/1
			SIZE: A4	X'X' ±2'	DRAWN	Zijun_Huang	21.11.17	D-SUB DP 9P MALE				