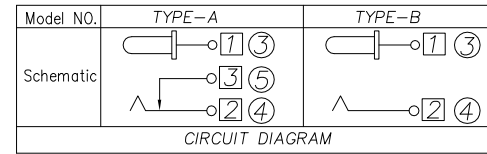
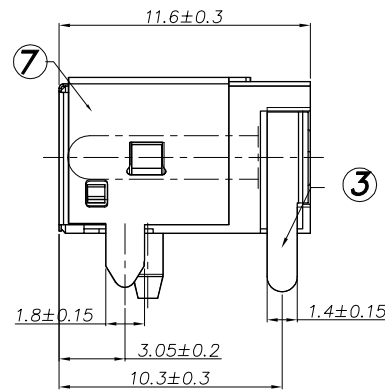
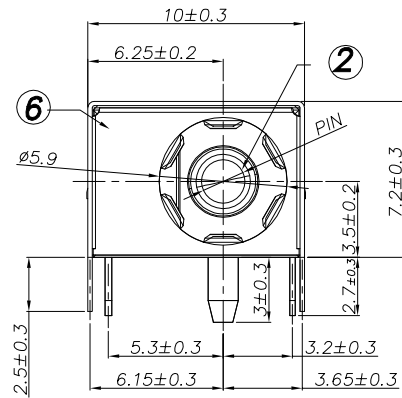


The product using material and processing must conform to the "WL-PZ-001" HSF technical standard control requirements

RoHS



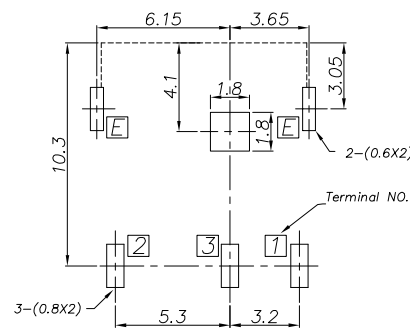
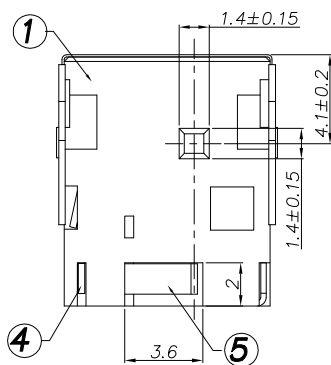
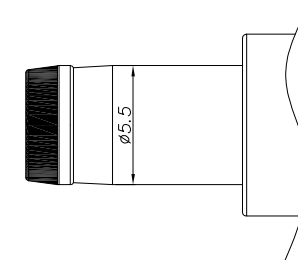
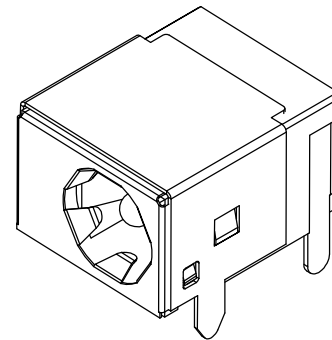
□: TERMINAL NO. ○: ITEM NO.

Model No.	①	②	③
PIN	∅1.65	∅2.0	∅2.5

Specification:
 1. Rating : DC 20V 5.0A;
 2. Contact resistance: ≤50mΩ;
 After test: ≤100mΩ
 3. Insulation resistance: ≥100MΩ (500VDC);
 After test: ≥50MΩ
 4. Withstand voltage: 500VAC ;
 5. Insertion and extraction force: 3N-30N;
 6. life test: 5000cycles min;
 7. Operation temperature range: -20℃~70℃
 8. Preservative temperature range: -40℃~85℃

P/N:
 WLDJF9-051X X X115

TYPE:
 A-TYPE-A
 B-TYPE-B
 HOUSING:
 1-PA9T
 2-PA10T
 3-PBT
 PIN:
 1-∅1.65
 2-∅2.0
 3-∅2.5



RECOMMENDED P. C. B. LAYOUT
 UNSPECIFIED TOLERANCE: ±0.05
 (BOTTOM VIEW)

⑦	Ground shield	1	Brass t=0.2	Ni:50u" Min
⑥	Shield plate	1	Stainless steel t=0.1	—
⑤	Shunt terminal	1	Brass t=0.3	Ag 8u"
④	Tip spring	1	Phosphor Bronze t=0.3	Ag 8u"
③	Center pin contact	1	Brass t=0.25	Ag 8u"
②	Center pin	1	Brass	Ni:100u" Min
①	Housing	1	PA9T/PA10T/PBT	
NO.	DESCRIPTION	QTY	MATERIAL	PLATING

REV.	REVISION RECORD	DATE		GENERAL TOLERANCES		SCALE: 1:1	NAME	DATE	PART.NO: WLDJF9-051XXX115	DWG.NO: ENDE05	
AO	NEW RELEASE	22.09.08		LINEAR	ANGLES						
			UNIT: mm	0.00±0.25	X'±3'	DESIGNER Han_Gao	22.09.08	TITLE: DC POWER JACK			REV: A0
			SIZE: A4	0.000±0.10	X'X' ±2'	DRAWN LanXuan_Hou	22.09.08				SHEET: 1/1