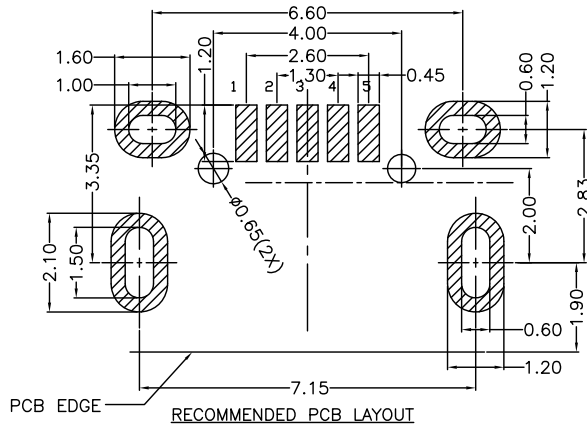
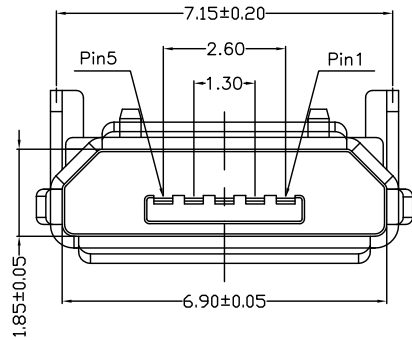
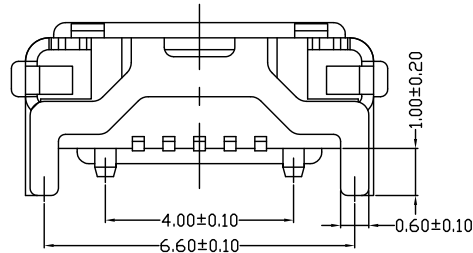
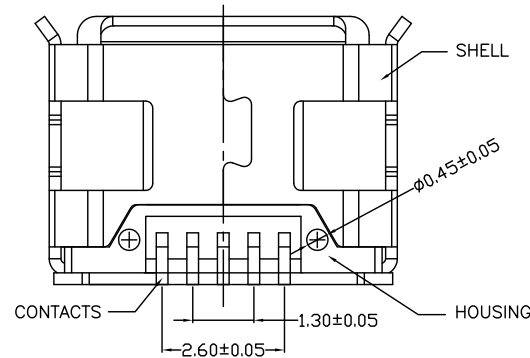
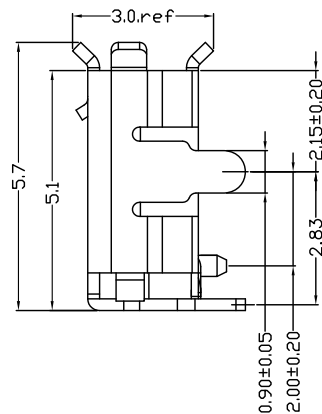
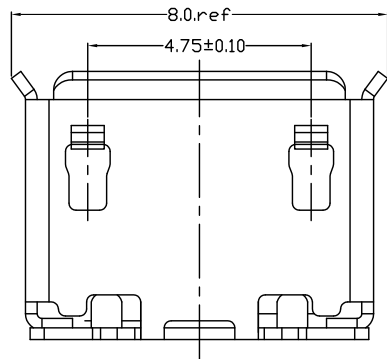


The product using material and processing must conform to the "WI-PZ-001"HSF technical standard control requirements



NOTE:
 1.MECHANICAL PERFORMANCE:
 1-1.INSERTION FORCE: 3.57kgf MAX
 1-2.REMOVAL FORCE: 0.8kgf MIN
 1-3.DURABILITY: 10000 CYCLES.
 2.ELECTRICAL PERFORMANCE:
 2-1.CURRENT RATING:1.5A
 2-2.VOLTAGE RATING:5V MAX
 2-3.CONTACT RESISTANCE: 30m Ohm MAX.
 2-4.INSULATION RESISTANCE: 100MΩ MIN
 2-5.DIELECTRIC WITHSTANDING VOLTAGE: 100V AC MIN
 3.ENVIRONMENTAL PERFORMANCE:
 OPERATING TEMPERATURE: -30°C~+80°C.
 PACKAGE SPEC: REEL 1500PCS



PIN NUMBER	SIGNAL NAME
1	VBUS
2	D-
3	D+
4	ID
5	GND

NO.	DESCRIPTION	QTY	MATERIAL	FINISH
3	SHELL	1	STAINLESS STEEL	Ni Plating
2	CONTACTS	1	COPPER ALLOY	Au Gold Flash
1	HOUSING	1	LCP UL94V-0	BLACK

REV.	REVISION RECORD	DATE	GENERAL TOLERANCES		SCALE:	NAME	DATE	PART.NO:	DWG.NO:
AO	NEW RELEASE	21.11.17	LINEAR	ANGLES	1:1	Wang_jr	21.11.17	WLM2F9-0521A1102	ENDE05
			0.0±0.35	X'REF±6°	APPROVED	Han_Gao	21.11.17	TITLE:	 WanLian Technology Co., Ltd
			0.00±0.25	X'±3°	DESIGNER	Zijun_Huang	21.11.17	MICRO USB 5P SOCKET SMT 外牛角1.0 (7.15*6.6)	
			0.000±0.10	X'X' ±2°	DRAWN			REV: A0 SHEET: 1/1	