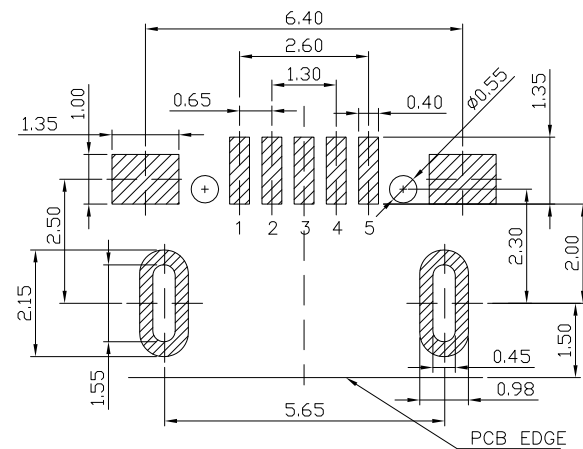
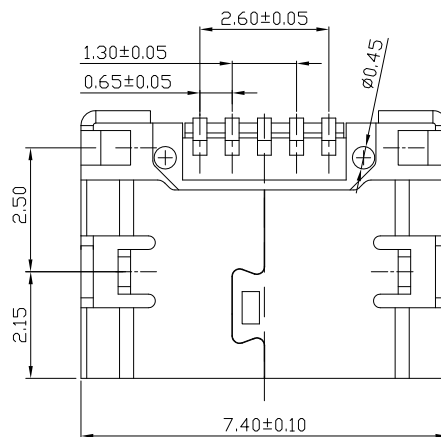
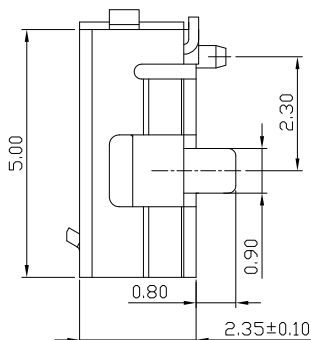
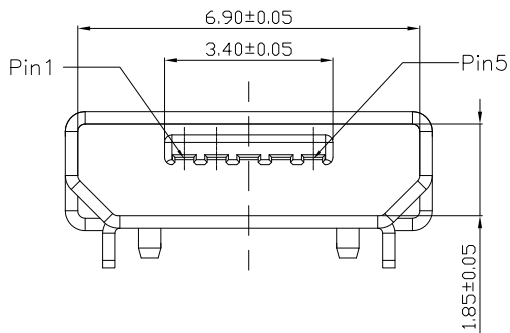
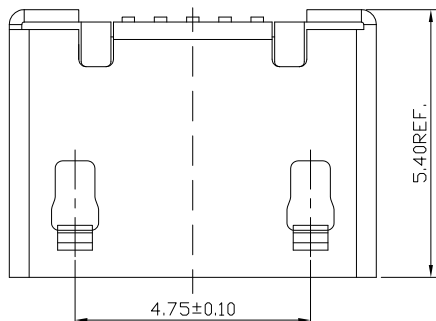
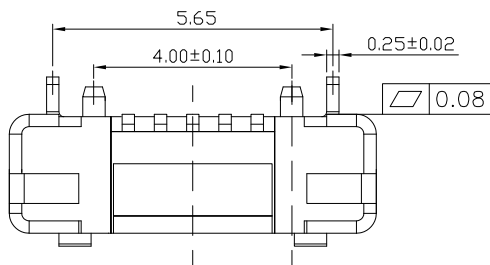


The product using material and processing must conform to the "WL-PZ-001" HSF technical standard control requirements

RoHS

PIN NUMBER	SIGNAL NAME
1	VBUS
2	D-
3	D+
4	ID
5	GND



RECOMMENDED PCB LAYOUT

NOTE:

1. MECHANICAL PERFORMANCE:

- 1-1. INSERTION FORCE: 3.57kgf MAX
- 1-2. REMOVAL FORCE: 0.8kgf MIN
- 1-3. DURABILITY: 10000 CYCLES.

2. ELECTRICAL PERFORMANCE:

- 2-1. CURRENT RATING: 1.5A
- 2-2. VOLTAGE RATING: 5V MAX
- 2-3. CONTACT RESISTANCE: 30m Ohm MAX.

- 2-4. INSULATION RESISTANCE: 100MΩ MIN
- 2-5. DIELECTRIC WITHSTANDING VOLTAGE: 100V AC MIN


3. ENVIRONMENTAL PERFORMANCE:

- OPERATING TEMPERATURE: -30°C~+80°C.
- PACKAGE SPEC: REEL 1500PCS



3	SHELL	1PCS	STAINLESS STEEL	Sn Plating
2	CONTACTS	5PCS	COPPER ALLOY	Au Gold Flash
1	HOUSING	1PCS	LCP UL94V-0	BLACK
NO.	DESCRIPTION	QTY	MATERIAL	FINISH



REV.	REVISION RECORD	DATE	GENERAL TOLERANCES		SCALE:	NAME	DATE	PART NO.:	DWG NO.:	WanLian Teconology Co., Ltd	
A0	NEW RELEASE	16.05.19	LINEAR	ANGLES	1:1	Wang_jr	16.05.19	WLM2F9-0521A7065	ENDE05	 REV: A1 SHEET: 1/1	
A1	ADD illustrate	23.12.08	0.0±0.35	X'REF±6°	APPROVED	Ding_bo	16.05.19	TITLE:			
			0.00±0.25	X°±3°	DESIGNER	Ou_jian	16.05.19	MICRO 5P/F B 前插后贴5.65 (0.8*0.9) 有柱平口			
			0.000±0.10	X°X'±2°	DRAWN						



WanLian Teconology Co., Ltd

REV: A1 SHEET: 1/1