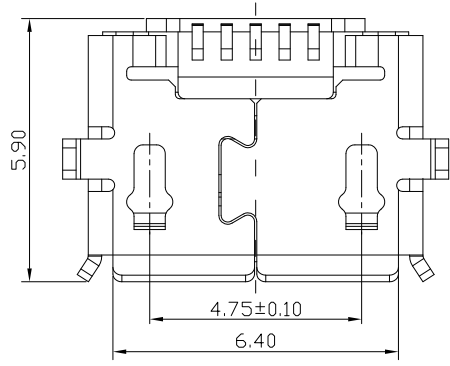
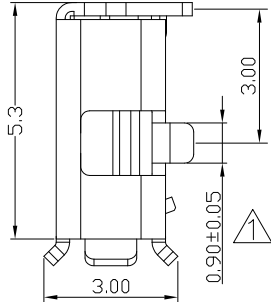
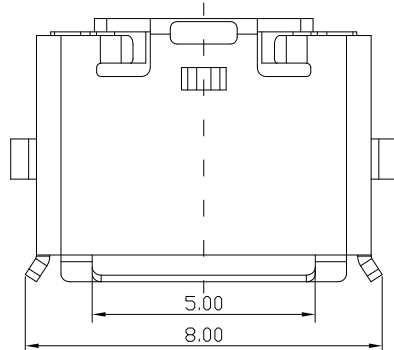
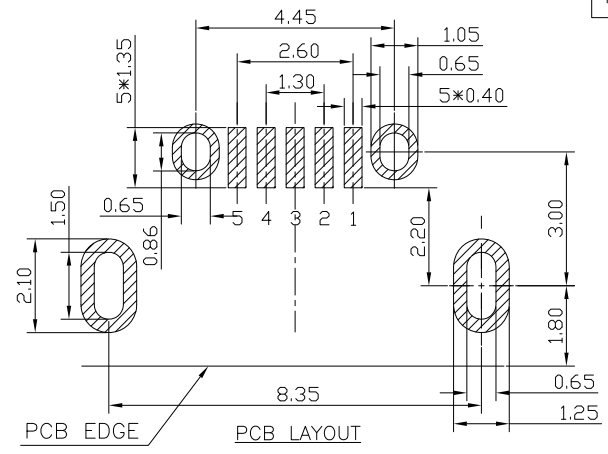
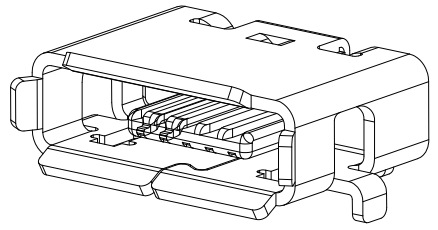
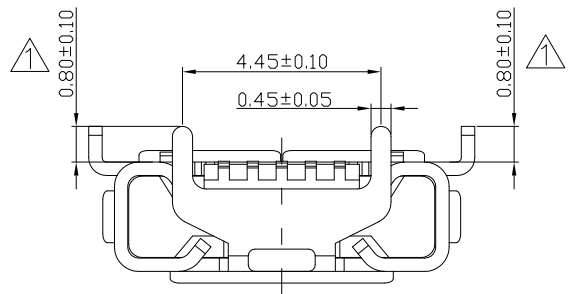


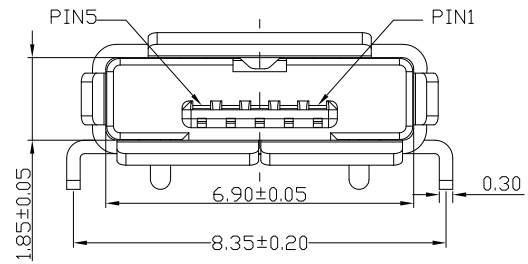
The product using material and processing must conform to the "WI-PZ-142"HSF technical standard control requirements



NOTE:  
 1.MECHANICAL PERFORMANCE:  
 1-1.INSERTION FORCE: 3.57kgf MAX  
 1-2.REMOVAL FORCE: 0.8kgf MIN  
 1-3.DURABILITY: 10000 CYCLES.  
 2.ELECTRICAL PERFORMANCE:  
 2-1.CURRENT RATING:1.5A  
 2-2.VOLTAGE RATING:5V MAX  
 2-3.CONTACT RESISTANCE: 30m Ohm MAX.  
 2-4.INSULATION RESISTANCE: 100MΩ MIN  
 2-5.DIELECTRIC WITHSTANDING VOLTAGE: 100V AC MIN  
 3.ENVIRONMENTAL PERFORMANCE:  
 OPERATING TEMPERATURE: -30°C~+80°C.  
 PACKAGE SPEC: REEL 1500PCS

PART NO.:  
 WLM2F9-05 2 X X X 077

PLATING: 1-G/F  
 2-Au 3u"  
 5-Au 15u"  
 6-Au 30u"  
 SHELL: 7-SN  
 9-NI  
 COLOUR: A-BLACK



PIN NUMBER	SIGNAL NAME
1	VBUS
2	D-
3	D+
4	ID
5	GND

NO.	DESCRIPTION	QTY	MATERIAL	FINISH
3	SHELL	1PCS	STAINLESS STEEL	Sn Plating
2	CONTACTS	5PCS	COPPER ALLOY	Au Gold Flash
1	HOUSING	1PCS	LCP UL94V-0	BLACK

REV.	REVISION RECORD	DATE	GENERAL TOLERANCES	SCALE:	NAME	DATE	PART.NO:	DWG.NO:
A1	NEW RELEASE	21.01.13	LINEAR	1:1	Wang_jr	21.01.13	WLM2F9-052XXX077	ENDE05
A1	0.6±0.10 Cha0.80±0.10 0.63±0.10 Cha0.80±0.10 0.86±0.05 Cha0.90±0.05	24.4.22	ANGLES	APPROVED	Ding_bo	21.01.13	TITLE:	<p>WanLian Teconology Co., Ltd</p>
			0.0±0.35 X'REF±6°	DESIGNER	Ou_jian	21.01.13	MICRO 5P/F AB TYPE DIP 0.8(8.35*4.45)	
			0.00±0.25 X'±3°	DRAWN			REV: A0 SHEET: 1/1	
			UNIT:mm					
			SIZE: A4					
			0.000±0.10 X'X' ±2°					