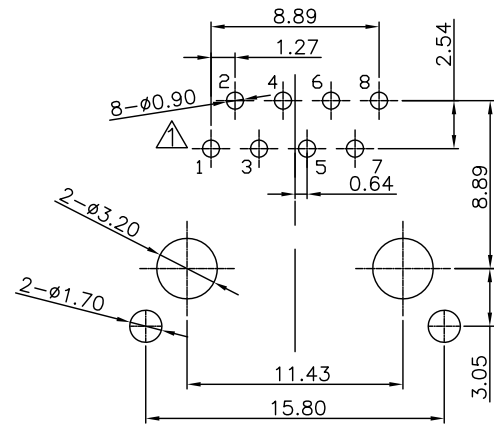
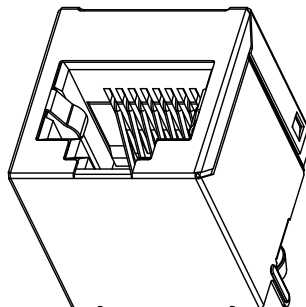
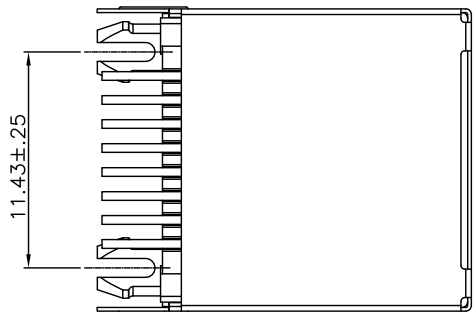
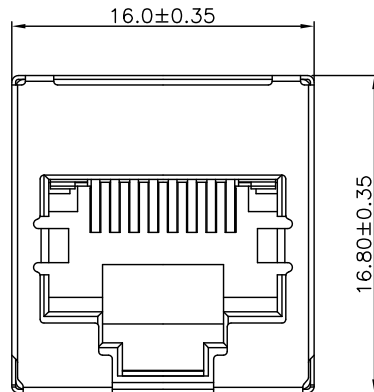
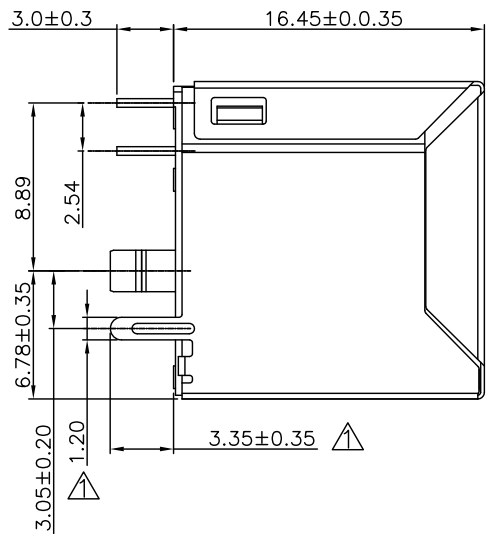
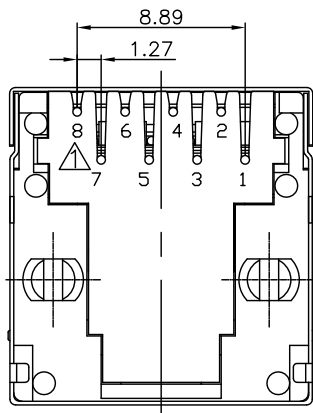


The product using material and processing must conform to the "WI-PZ-001" HSF technical standard control requirements

RoHS



PCB Layout



- NOTE:
- MATERIAL SPECIFICATION:
 - 1-1.HOUSING: PBT UL94V-0 BLACK
 - 1-2.CONTACT: PHOSPHOR BRONZE $\phi 0.46\text{mm}$
 - 1-3.SHELL: 0.20mm THICKNESS COPPER ALLOY
 - PLATING SPECIFICATION:
 - 2-1.CONTACT: GOLD FLASH PLATING OVER NICKEL.
 - 2-2.SHIELD:NICKEL PLATED.
 - MECHANICAL PERFORMANCE:
 - 3-1.UNMATING FORCE:2.04 KG.F MAX.
 - 3-2.MATING FORCE:2.04 KG.F MAX.
 - 3-3.DURRABILITY: 750 CYCLES MIN.
 - ELECTRICAL PERFORMANCE:
 - 4-1.VOLTAGE RATING:125 VAC RMS
 - 4-2.CURRENT RATING:1.5A
 - 4-3.CONTACT RESISTANCE: 40m Ω MAX,
 - 4-4.INSULATION RESISTANCE: 500m Ω MIN @ 100V DC.
 - 4-5.WITHSTANDING VOLTAGE: 500V DC RMS 50HZ. 1MIN.
 - OPERATING TEMPERATURE:-40°C~+85°C

REV.	REVISION RECORD	DATE		GENERAL TOLERANCES		SCALE: 1:1	NAME	DATE	PART.NO:	DWG.NO:	
A0	NEW RELEASE	21.01.13		LINEAR	ANGLES		APPROVED	Wang_jr	23.02.17	WLR4F0-0811A1050	
A1	ADD 3.35±0.35	2023.11.03	0.0±0.35	X'REF±6°		DESIGNER	Han_Gao	23.02.17	TITLE: RJ45 8P8C 立插 有壳无灯 前脚3.05		WanLian Technology Co., Ltd REV: A1 SHEET: 1/1
A1	ADD 1.20 Cha Layout NO.	2023.11.03	0.00±0.25	X'±3°	UNIT:mm	DRAWN	Ou_jiang	23.02.17			
			SIZE: A4	0.000±0.10	X'X'±2°						