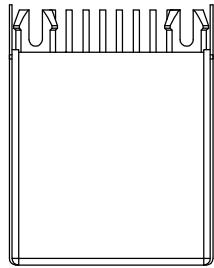
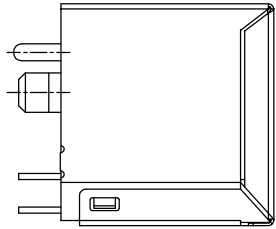


The product using material and processing must conform to the "WI-PZ-001"HSF technical standard control requirements

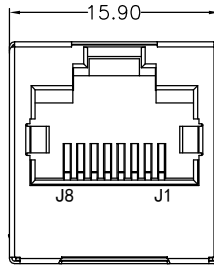
RoHS



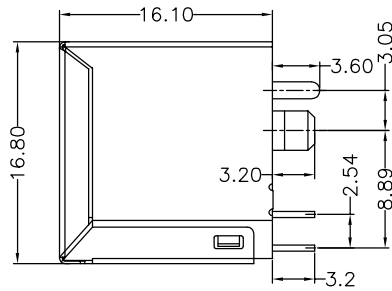
TOP VIEW



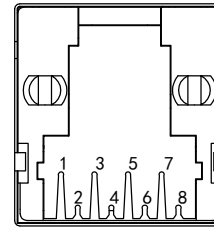
LEFT SIDE VIEW



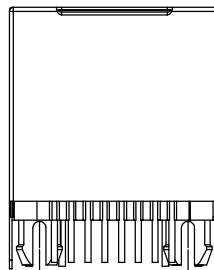
FRONT VIEW



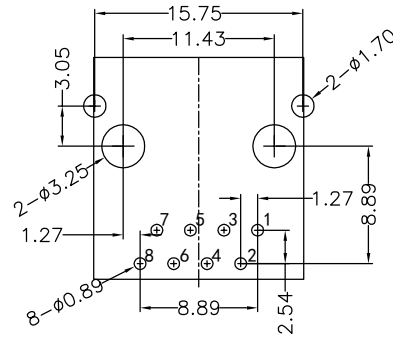
RIGHT SIDE VIEW



BACK VIEW



BOTTOM VIEW



RECOMMENDED PCB LAYOUT  
VIEWED FROM COMPONENT SIDE

**MATERIAL:**

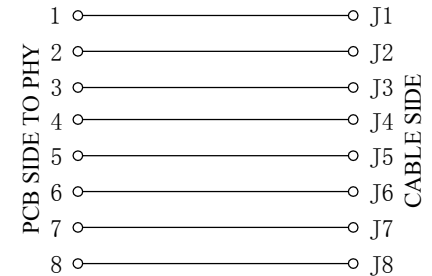
HOUSING: PA46,UL94V-0,BLACK.  
TERMINAL: PHOSPHOR BRONZE Ø=0.46MM,  
G/FU" GOLD PLATING ON CONTACT AREA.  
SHIELD: C2680,T=0.20MM,20 MIN NICKEL PLATING  
ON ALL AREA.


**MACHANICAL:**

DURABILITY: 750 CYCLES MIN,12.5MM/MINUTE.  
INSERTION FORCE: 2.2KG.F MAX.  
RETENTION STRENGTH : 7.7KG.F BETWEEN JACK AND PLUG.  
OPERATING TEMPERATURE: -40℃~+85℃.  
STORAGE TEMPERATURE: -40℃~+85℃.  
ALL CRITICAL DIMENSIONS WITH "\*"

**ELECTRICAL:**

VOLTAGE: 125 VOLTS AC.  
CURRENT RATING : 1.5AMP.  
DIELECTRIC STRENGTH: 1000 VAC RMS 50HZ OR 60HZ,1 MIN.  
INSULATION RESISTANCE: 500 MEGA OHMS MIN. INITIAL  
AFTER 500V DC FOR 1 MINUTE.  
CONTACT RESISTANCE: SINGLE TERMINAL 30 MILLIOHMS MAX.  
INITIAL 50 MILLIOHMS MAX. AFTER  
DURABILITY TEST.

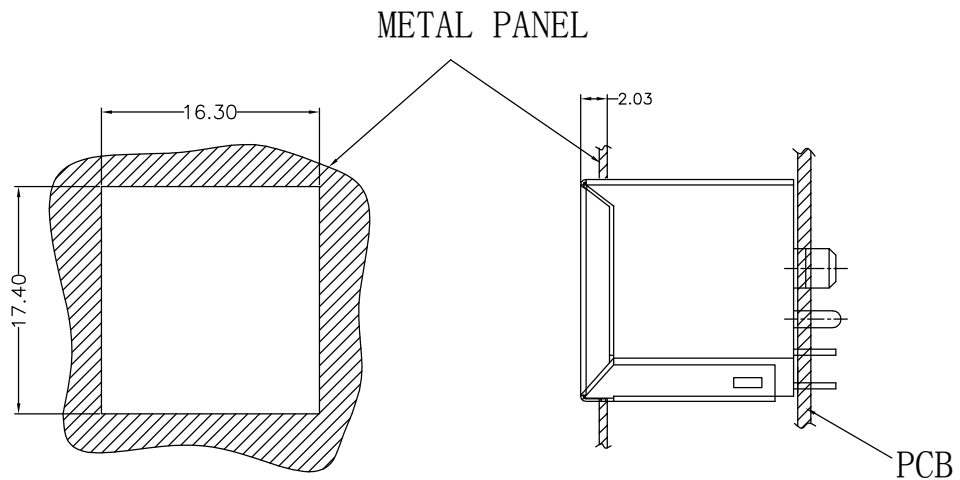


REV.	REVISION RECORD	DATE	UNIT:mm	GENERAL TOLERANCES		SCALE: 1:1	NAME	DATE	PART.NO:	DWG.NO:	 WanLian Technology Co., Ltd
A0	NEW RELEASE	21.01.13		LINEAR	ANGLES	APPROVED	Wang_jr	23.02.17	WLR4F0-0811A2050	ENDE05	
A1	更换外壳	23.02.17	0.00±0.25	X°REF±6°	DESIGNER	Ou_jian	23.02.17	TITLE: RJ45 8P8C 立插 无灯 前脚3.05		REV: A2	SHEET: 1/2
A2	优化图面	23.06.05	0.00±0.10	X°X° ±2°	DRAWN	Hou_lanxuan	23.02.17				

The product using material and processing must conform to the "WI-PZ-001"HSF technical standard control requirements

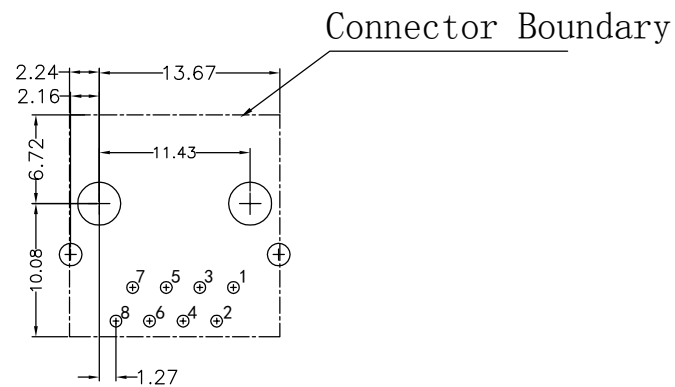
RoHS

Suggested Panel Opening:

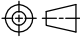



UNIT: mm / inch  
Tolerances:  $\pm 0.10 / 0.004$

Keep-Out Area (Component Side View):



UNIT: mm / inch  
Tolerances:  $\pm 0.10 / 0.004$

REV.	REVISION RECORD	DATE		GENERAL TOLERANCES		SCALE: 1:1	NAME	DATE	PART.NO:	DWG.NO:	 WanLian Technology Co., Ltd	
A0	NEW RELEASE	21.01.13		LINEAR	ANGLES	APPROVED	Wang_jr	23.02.17	WLR4FO-0811A2050	ENDE05		
A1	更换外壳	23.02.17	UNIT:mm	0.0±0.35	X'REF±6'	DESIGNER	Ou_jian	23.02.17	TITLE: RJ45 8P8C 立插 无灯 前脚3.05		REV: A2	SHEET: 2/2
A2	优化图面	23.06.05		0.00±0.25	X'±3'	DRAWN	Hou_lanxuan	23.02.17				
			SIZE: A4	0.000±0.10	X'X' ±2'							