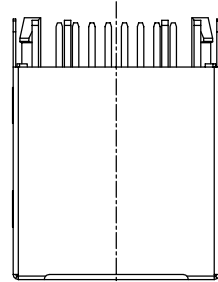


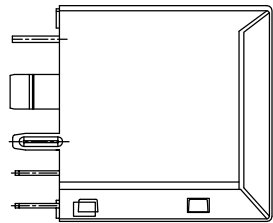
The product using material and processing must conform to the "WL-PZ-001"HSF technical standard control requirements

RoHS

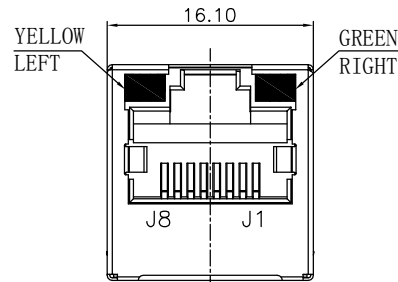


TOP VIEW

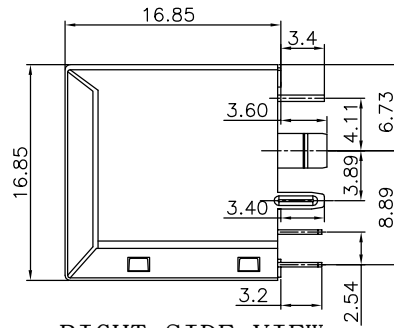
MATERIAL:  
 HOUSING: PBT,UL94V-0,BLACK.  
 TERMINALS BRACKET: PBT,UL94V-0,BLACK.  
 SHIELD: C2680,T=0.20MM,NICKEL PLATING ON ALL AREA.  
 TERMINAL: PHOSPHOR BRONZE C5210,T=0.35MM,  
 6U" GOLD PLATING ON CONTACT AREA.  
 MECHANICAL:  
 DURABILITY: 750 CYCLES MIN.  
 MATING FORCE: 23N MAX.  
 OPERATING TEMPERATURE: -40°C~+85°C.  
 STORAGE TEMPERATURE: -40°C~+85°C.



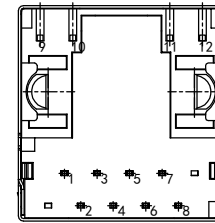
LEFT SIDE VIEW



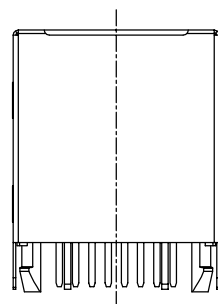
FRONT VIEW



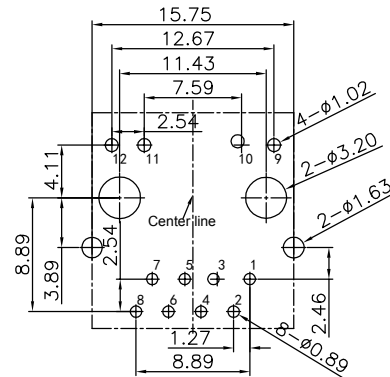
RIGHT SIDE VIEW



BACK VIEW



BOTTOM VIEW



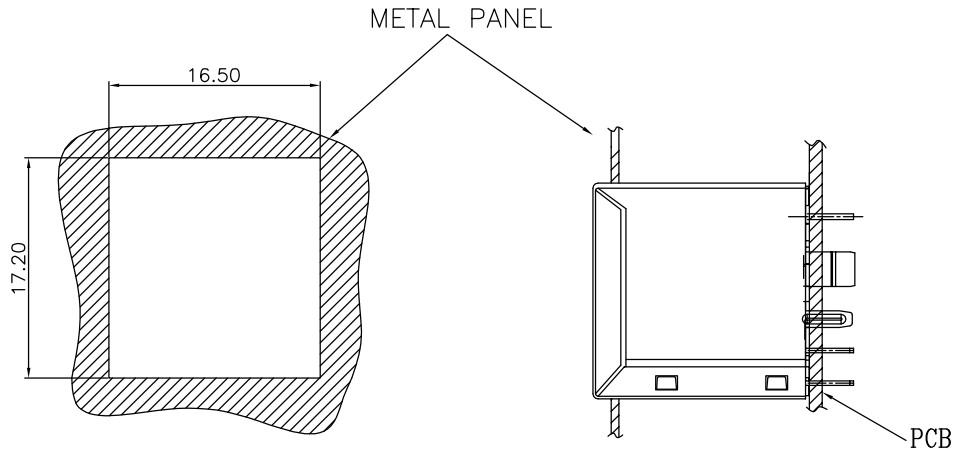
RECOMMENDED PCB LAYOUT  
 VIEWED FROM COMPONENT SIDE

REV.	REVISION RECORD	DATE		GENERAL TOLERANCES		SCALE: 1:1	NAME	DATE	PART.NO: WLR4F0-1213A1159	DWG.NO: ENDE05	 WanLian Technology Co., Ltd
A0	NEW RELEASE	22.10.28		LINEAR	ANGLES	APPROVED	Wang_jr	22.10.28			
			UNIT:mm	0.00±0.25	X'±3'	DESIGNER	Han_Gao	22.10.28	TITLE: 180° TAB-UP 1X1 10/100BASE		
			SIZE: A4	0.000±0.10	X'X' ±2'	DRAWN	LanXuan_Hou	22.10.28			

The product using material and processing must conform to the "WL-PZ-001" HSF technical standard control requirements

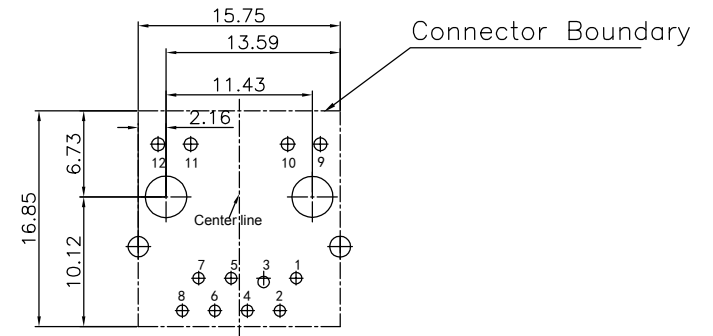
RoHS

Suggested Panel Opening:



UNIT: mm / inch  
Tolerances:  $\pm 0.10$  / 0.004

Keep-Out Area (Component Side View):

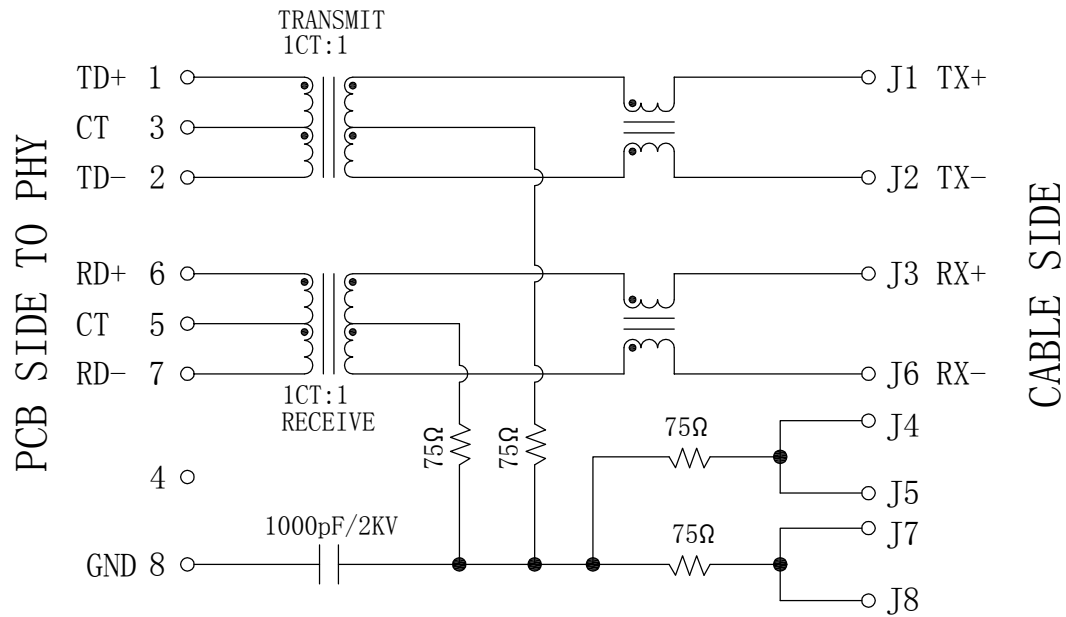


UNIT: mm / inch  
Tolerances:  $\pm 0.10$  / 0.004

REV.	REVISION RECORD	DATE		GENERAL TOLERANCES		SCALE: 1:1	NAME	DATE	PART.NO:	DWG.NO:	 WanLian Technology Co., Ltd
A0	NEW RELEASE	22.10.28		LINEAR	ANGLES	APPROVED	Wang_jr	22.10.28	WLR4F0-1213A1159	ENDE05	
			UNIT:mm	0.00 $\pm$ 0.25	X $\pm$ 3'	DESIGNER	Han_Gao	22.10.28	TITLE:		REV: A0
			SIZE: A4	0.000 $\pm$ 0.10	X'X' $\pm$ 2'	DRAWN	LanXuan_Hou	22.10.28	180° TAB-UP 1X1 10/100BASE		

The product using material and processing must conform to the "WL-PZ-001"HSF technical standard control requirements

RoHS

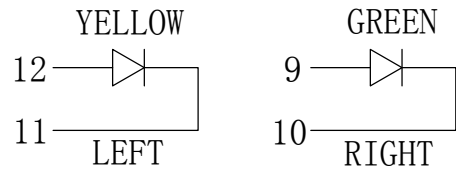



Electrical:

1. Turn ratio: 1~2: J1~J2=1CT:1CT(±2%).  
6~7: J3~J6=1CT:1CT(±2%).
2. OCL: 350uH Min. at 100KHz 100mV 8mA DC.
3. Insertion Loss: -1.0 dB Max 1~100MHz.
4. Return loss: -20dB Min 1~10MHz;  
-16dB Min 10~30MHz;  
-12dB Min 30~60MHz;  
-10dB Min 60~80MHz.
5. Cross talk: -40dB Min 1~30MHz;  
-35dB Min 30~60MHz;  
-30dB Min 60~100MHz;
6. CMR: -30dB Min 1~100MHz;
7. Hi-Pot: 1500V AC & 2250V DC  
6S 1mA PRI TO SEC

LED Specification

Standard LED Color	LED Wavelength	Foward(A)	Foward(V)
Green	568nm	20mA	1.85-2.45V
Yellow	585nm	20mA	1.7-2.2V



REV.	REVISION RECORD	DATE	GENERAL TOLERANCES		SCALE:	NAME	DATE	PART.NO:	DWG.NO:	 WanLian Technology Co., Ltd
A0	NEW RELEASE	22.10.28	LINEAR	ANGLES	1:1			WLR4F0-1213A1159	ENDE05	
			0.0±0.35	X°REF±6'	APPROVED	Wang_jr	22.10.28			
			0.00±0.25	X°±3'	DESIGNER	Han_Gao	22.10.28	TITLE: 180° TAB-UP 1X1 10/100BASE		
			UNIT:mm	X°X'±2'	DRAWN	LanXuan_Hou	22.10.28	REV: A0	SHEET: 3/4	

RoHS

The product using material and processing must conform to the "WL-PZ-001"HSF technical standard control requirements

# PROFILE OF WAVE SOLDER

The graph illustrates the temperature profile of wave soldering. The y-axis represents Temperature in degrees Celsius, with marked values at 20, 120, 180, and Tip. The x-axis represents Time in seconds, with marked intervals of 60~120, 60, and 120. The profile is divided into three phases: A (Preheating), B (Soldering), and C (Gradual Cooling). The temperature starts at 20°C, rises to 120°C during phase A, reaches a peak at Tip during phase B, and then gradually cools down during phase C.

A.Preheating B.Soldering C.Gradual Cooling  
 Tip temperature:260±5°C.  
 Tip temperature time:5Sec Max.  
 Tip melting point of Sn96.5/Ag3/Cu0.5:217°C.

Remarks: after wave soldering, the plastic positioning columns of the product which under the PCB will be slightly melted, but it won't affect its function.

REV.	REVISION RECORD	DATE		GENERAL TOLERANCES		SCALE: 1:1	NAME	DATE	PART.NO:	DWG.NO:	
A0	NEW RELEASE	22.10.28		LINEAR	ANGLES	APPROVED	Wang_jr	22.10.28	WLR4F0-1213A1159	ENDE05	
			UNIT:mm	0.00±0.25	X'±3'	DESIGNER	Han_Gao	22.10.28	TITLE:		REV: A0    SHEET: 4/4
			SIZE: A4	0.000±0.10	X'X' ±2'	DRAWN	LanXuan_Hou	22.10.28	180° TAB-UP 1X1 10/100BASE		