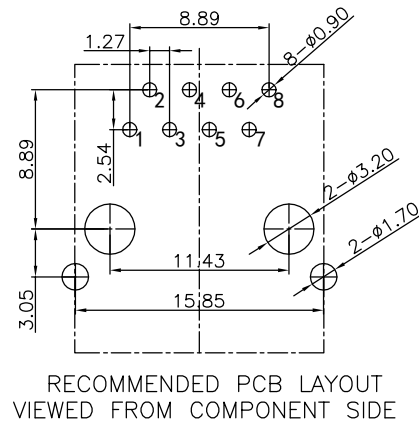
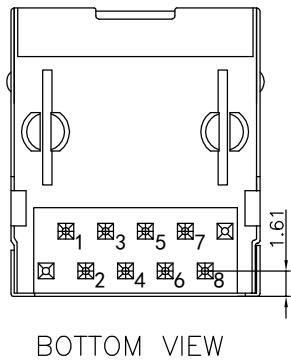
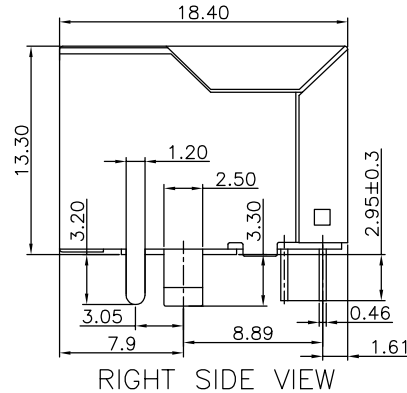
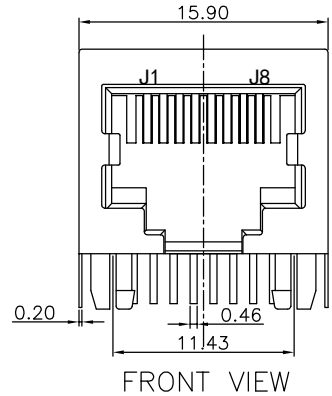
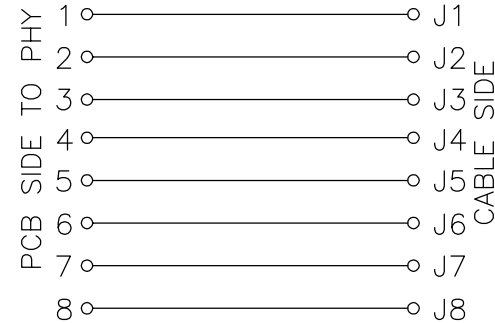


The product using material and processing must conform to the "WI-PZ-001"HSF technical standard control requirements



- 1.MATERIAL:  
 1-1.HOUSING: PA46,UL94V-0,BLACK.  
 1-2.TERMINAL: PHOSPHOR BRONZE  $\phi=0.46\text{MM}$ ,  
 G/FU" GOLD PLATING ON CONTACT AREA.  
 1-3.SHIELD: C2680,T=0.20MM,20U" MIN NICKEL PLATING ON ALL AREA.
- 2.MACHANICAL:  
 2-1.DURABILITY: 750 CYCLES MIN,12.5MM/MINUTE.  
 2-2.INSERTION FORCE: 2.2KG.F MAX.  
 2-3.RETENTION STRENGTH : 7.7KG.F BETWEEN JACK AND PLUG.  
 2-4.OPERATING TEMPERATURE:  $-40^{\circ}\text{C}\sim+85^{\circ}\text{C}$ .  
 2-5.STORAGE TEMPERATURE:  $-40^{\circ}\text{C}\sim+85^{\circ}\text{C}$ .
- 3.ELECTRICAL:  
 3-1.VOLTAGE: 125 VOLTS AC.  
 3-2.CURRENT RATING : 1.5AMP.  
 3-3.DIELECTRIC STRENGTH: 1000 VAC RMS 50HZ OR 60HZ,1MIN.  
 3-4.INSULATION RESISTANCE: 500 MEGA OHMS MIN. INITIAL  
 AFTER 500V DC FOR 1 MINUTE.  
 3-5.CONTACT RESISTANCE: SINGLE TERMINAL 30 MILLIOHMS MAX.  
 INITIAL 50 MILLIOHMS MAX. AFTER DURABILITY TEST.



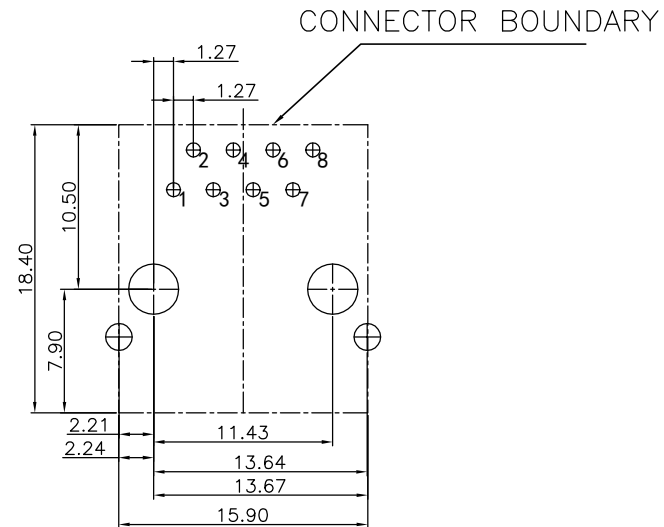
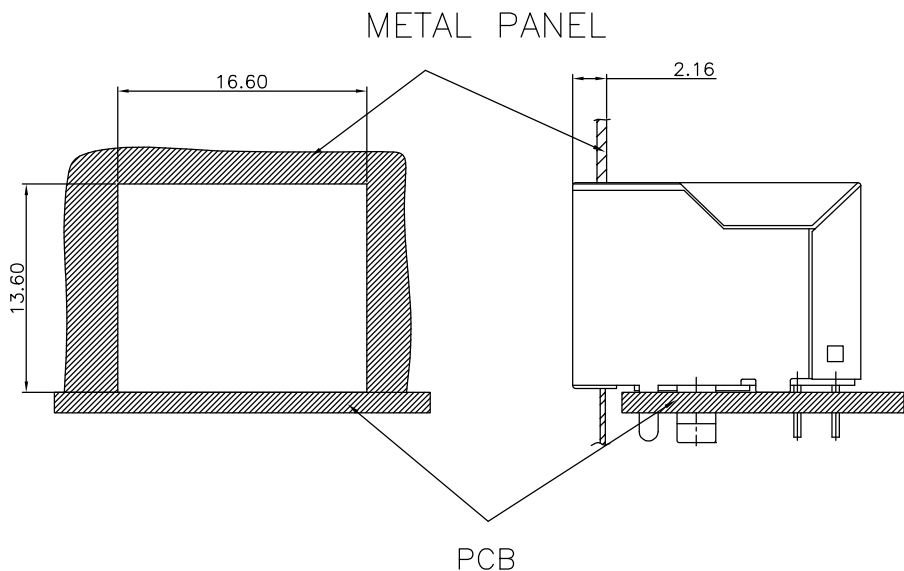
REV.	REVISION RECORD	DATE		GENERAL TOLERANCES		SCALE: 1:1	NAME	DATE	PART.NO: WLR4F9-0811A0175	DWG.NO: ENDE05	 WanLian Technology Co., Ltd
AO	NEW RELEASE	22.03.19		LINEAR	ANGLES	APPROVED	Wang_jr	22.03.19			
			0.0±0.35	X'REF±6'	CHECK	XueZe_Ma	22.03.19	TITLE: RJ45直通 56带屏蔽无灯			
			UNIT:mm	0.00±0.25	X'±3'	DRAWN	LanXuan_Hou	22.03.19			
			SIZE: A4	0.000±0.10	X'X' ±2'				REV: A0	SHEET: 1/2	

The product using material and processing must conform to the "WI-PZ-001"HSF technical standard control requirements

RoHS

RECOMMENDED PANEL CUTOUT(REFERENCE ONLY):

KEEP-OUT AREA(COMPONENT SIDE VIEW):



PLUG-IN SIDE

UNIT: MM / INCH  
TOLERANCES:  $\pm 0.10$  / 0.004  
REFERENCE ONLY

UNIT: MM / INCH  
TOLERANCES:  $\pm 0.10$  / 0.004

REV.	REVISION RECORD	DATE		GENERAL TOLERANCES		SCALE: 1:1	NAME	DATE	PART.NO:	DWG.NO:	 WanLian Technology Co., Ltd
AO	NEW RELEASE	22.03.19		LINEAR	ANGLES	APPROVED	Wang_jr	22.03.19	WLR4F9-0811A0175	ENDE05	
			UNIT:mm	0.00 $\pm$ 0.25	X'REF $\pm$ 6'	CHECK	XueZe_Ma	22.03.19	TITLE:		REV: A0 SHEET: 2/2
			SIZE: A4	0.000 $\pm$ 0.10	X'X' $\pm$ 2'	DRAWN	LanXuan_Hou	22.03.19	RJ45直通 56带屏蔽无灯		