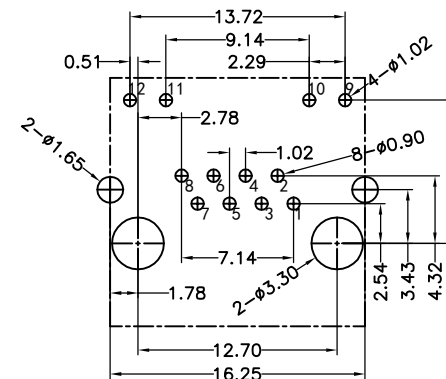
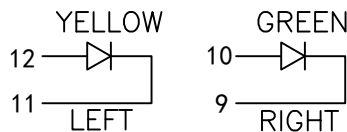
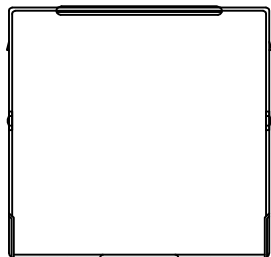
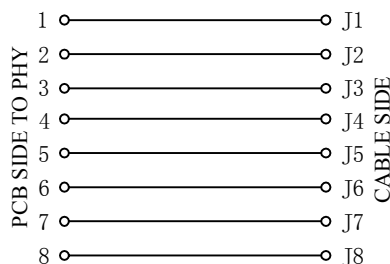
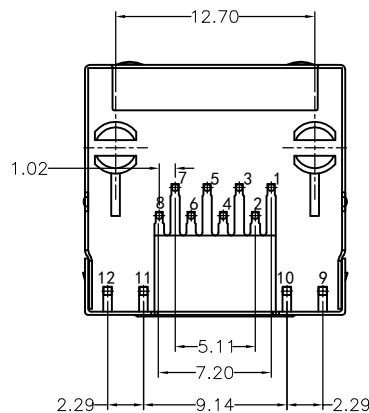
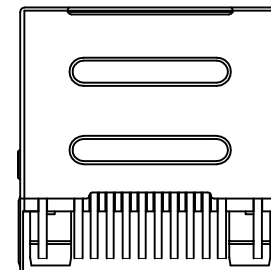
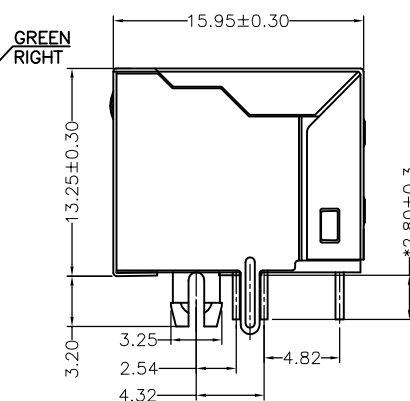
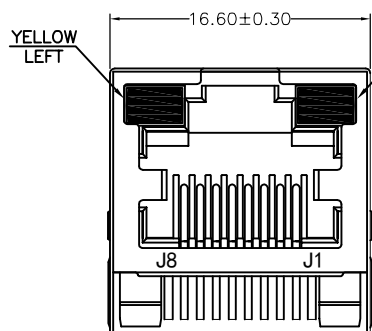
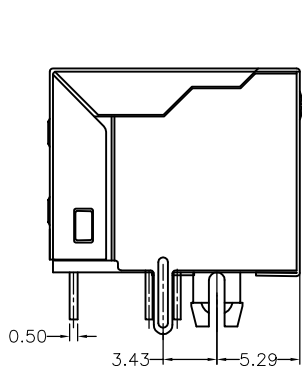


The product using material and processing must conform to the "WL-PZ-001" HSF technical standard control requirements

RoHS



RECOMMENDED PCB LAYOUT
VIEWED FROM COMPONENT SIDE




MATERIAL:
HOUSING: PBT,UL94V-0,BLACK.
TERMINAL: PHOSPHOR BRONZE $\phi=0.46\text{MM}$,G/FU" GOLD PLATING.
SHIELD: C2680,T=0.20MM,20U" MIN NICKEL PLATING ON ALL AREA.

MACHANICAL:
DURABILITY: 750 CYCLES MIN,12.5MM/MINUTE.
INSERTION FORCE: 2.2KG.F MAX.
RETENTION STRENGTH : 7.7KG.F BETWEEN JACK AND PLUG.
OPERATING TEMPERATURE: -40°C~+85°C.
STORAGE TEMPERATURE: -40°C~+85°C.

ELECTRICAL:
VOLTAGE: 125 VOLTS AC.
CURRENT RATING : 1.5AMP.
DIELECTRIC STRENGTH: 1000 VAC RMS 50HZ OR 60HZ,1MIN.
INSULATION RESISTANCE: 500 MEGA OHMS MIN. INITIAL AFTER 500V DC FOR 1 MINUTE.
CONTACT RESISTANCE: SINGLE TERMINAL 30 MILLIOHMS MAX. INITIAL 50 MILLIOHMS MAX. AFTER DURABILITY TEST.

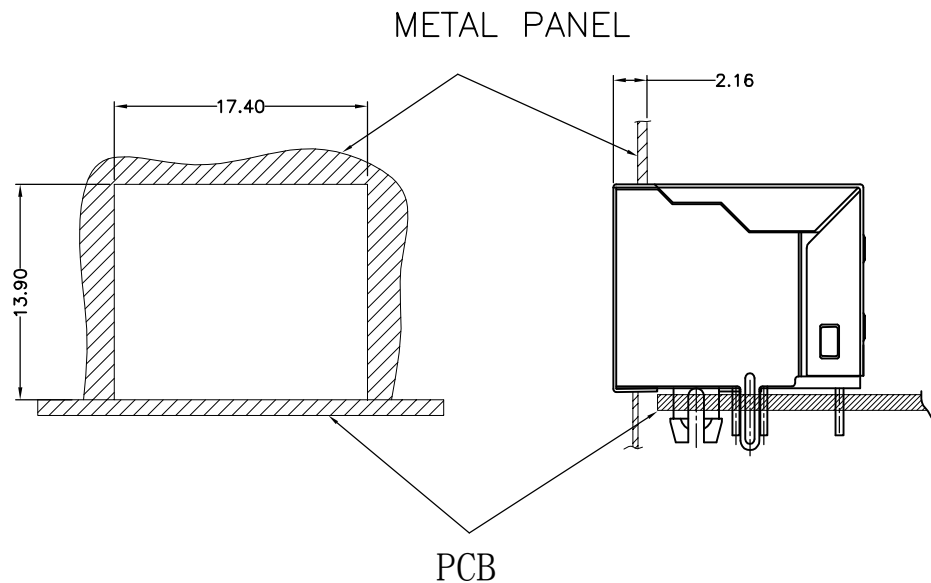
Standard LED Color	LED Wavelength	Foward(A)	Foward(V)
Green	568nm	20mA	1.85-2.45V
Yellow	585nm	20mA	1.7-2.2V

REV.	REVISION RECORD	DATE	GENERAL TOLERANCES		SCALE:	NAME	DATE	PART.NO:	DWG.NO:
A0	NEW RELEASE	21.01.13	LINEAR	ANGLES	1:1	Wang_jr	21.01.13	WLR4F9-081A11009	ENDE05
			0.0±0.35	X'REF±6°	APPROVED	Ou_jian	21.01.13	TITLE:	 WanLian Technology Co., Ltd
			0.00±0.25	X'±3°	DESIGNER	Hou-lanxuan	21.01.13	RJ45 8P8C 1X1屏蔽带灯 (左黄右绿)	
			0.000±0.10	X'X' ±2°	DRAWN			REV: A0 SHEET: 1/2	

The product using material and processing must conform to the "WL-PZ-001"HSF technical standard control requirements

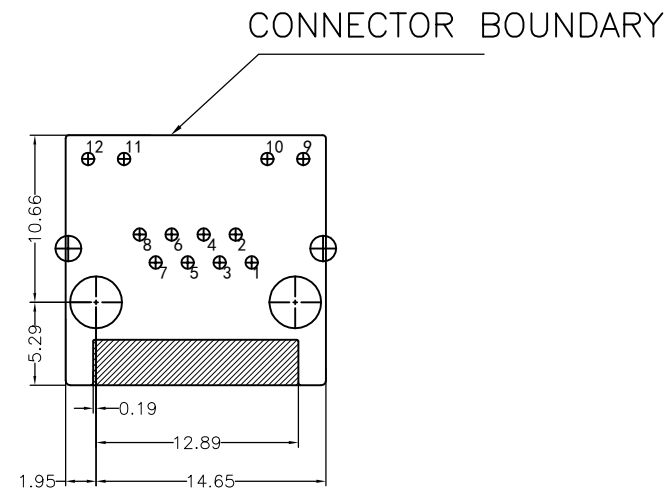
RoHS

RECOMMENDED PANEL CUTOUT(REFERENCE ONLY):



UNIT: MM / INCH
TOLERANCES: ± 0.10 / 0.004
REFERENCE ONLY

KEEP-OUT AREA(COMPONENT SIDE VIEW):



PLUG-IN SIDE

UNIT: MM / INCH
TOLERANCES: ± 0.10 / 0.004

REV.	REVISION RECORD	DATE		GENERAL TOLERANCES		SCALE: 1:1	NAME	DATE	PART.NO:	DWG.NO:	 WanLian Technology Co., Ltd
A0	NEW RELEASE	21.01.13		LINEAR	ANGLES	APPROVED	Wang_jr	21.01.13	WLR4F9-081A11009	ENDE05	
			UNIT:mm	0.00 \pm 0.25	X'REF \pm 6'	DESIGNER	Ou_jian	21.01.13	TITLE:		REV: A0
			SIZE: A4	0.000 \pm 0.10	X'X' \pm 2'	DRAWN	Hou-lanxuan	21.01.13	RJ45 8P8C 1X1屏蔽带灯 (左黄右绿)		