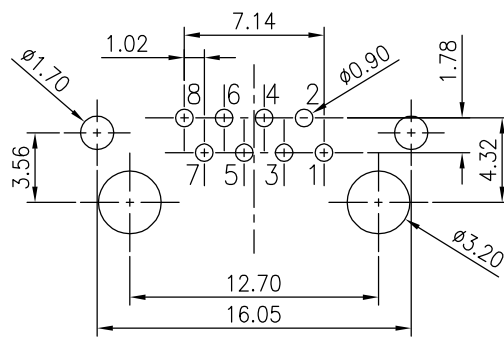
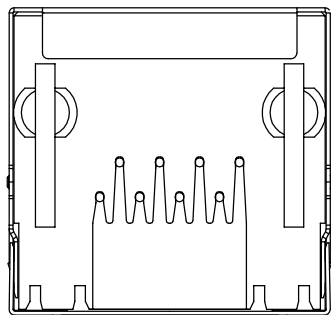
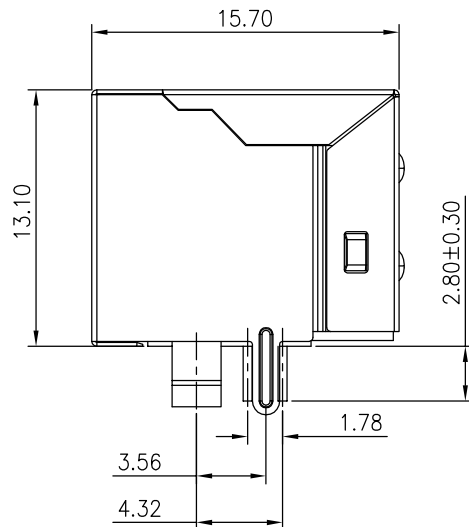
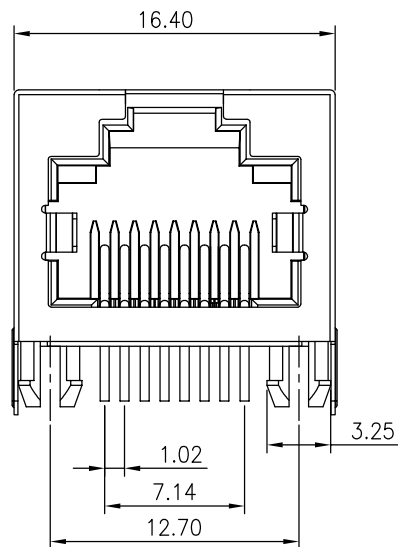


The product using material and processing must conform to the "WI-PZ-001"HSF technical standard control requirements

RoHS



PCBLAYOUT  
TOL:±0.05

NOTE:

1.MATERIAL SPECIFICATION:

- 1-1.HOUSING:PBT UL94V-0. BLACK
- 1-2.CONTACTS:PHOSPHOR BRONZE  $\phi 0.46\text{mm}$ .
- 1-3.SHIELD: 0.20mm THICKNESS COPPER ALLOY

2.PLATING SPECIFICATION:

- 2-1.CONTACTS:  
AU PLATING OVER Ni 50u"
- 2-2. SHIELD:  
Ni 30u" MIN. UNDER PLATED OVER ALL.

3.MECHANICAL PERFORMANCE:

- 3-1.MATING/UNMATING FORC : 2.24 KG.F MAX.
- 3-2.DURABILITY: 750 CYCLES MIN.

4.ELECTRICAL PERFORMANCE:

- 4-1.CURRENT RATING:1.5A
- 4-2.VOLTAGE RATING:125V MAX
- 4-3.CONTACT RESISTANCE: 40m $\Omega$  Max.
- 4-4.INSULATION RESISTANCE: 500M $\Omega$  MIN
- 4-5.DIELECTRIC WITHSTANDING VOLTAGE: 500V AC Min

5.ENVIRONMENTAL PERFORMANCE:

OPERATING TEMPERATURE: -40°C~+85°C.

WLR4F9-08 1 X X X 04-105

PLATING:

- 1-G/F
- 2-Au 1u"
- 3-Au 5u"
- 5-Au 15u"
- 6-Au 30u"

HOUSING:

- 1-PBT
- 2-PA46
- 3-PA9T
- 4-LCP

COLOUR:

- A-BLACK
- E-YELLOW

REV.	REVISION RECORD	DATE		GENERAL TOLERANCES		SCALE: 1:1	NAME	DATE	PART.NO: WLR4F9-081XXX04-105	DWG.NO: ENDE05	
AO	NEW RELEASE	21.01.13		LINEAR	ANGLES	APPROVED	Wang_jr	22.12.15			
B	ADD DIMENSIONS	22.12.15		0.00±0.25	X'±3'	DESIGNER	Wang_jr	22.12.15	TITLE: RJ45 8P8C DIP		REV: B      SHEET: 1/1
				0.00±0.10	X'X' ±2'	DRAWN	Wang_jr	22.12.15			
				UNIT:mm							