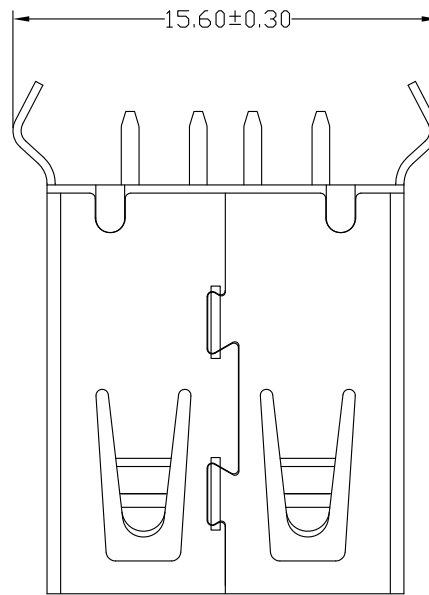
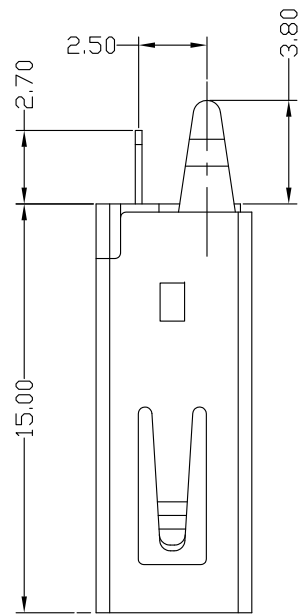
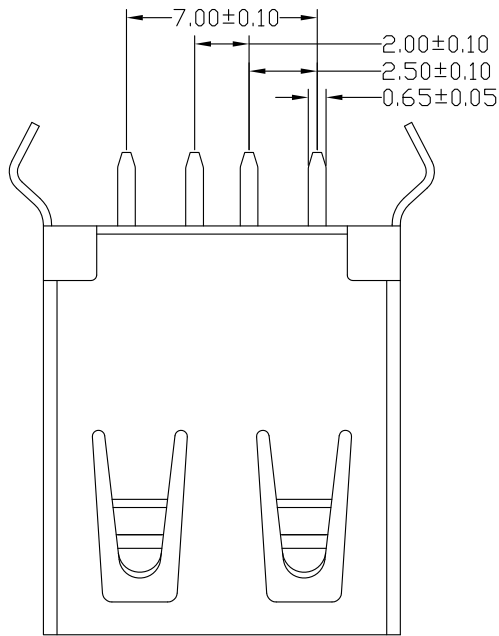


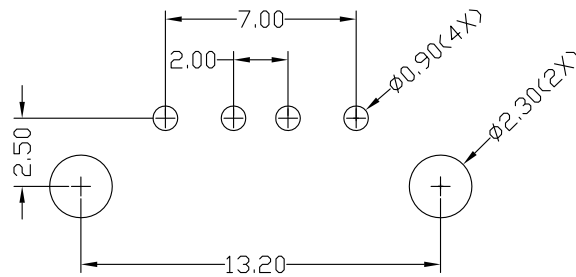
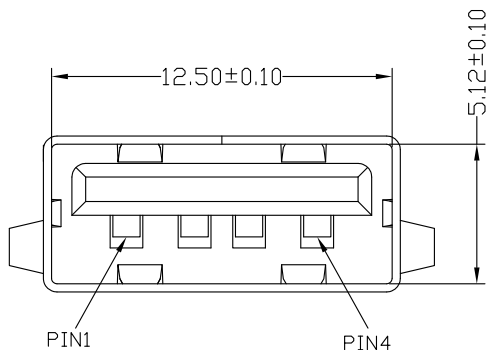
The product using material and processing must conform to the "WI-PZ-001"HSF technical standard control requirements

RoHS




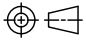
NOTE:

- 1.MATERIAL SPECIFICATION:
 - 1-1.HOUSING:PBT WHITE UL94V-0
 - 1-2.CONTACTS:COPPER ALLOY.
 - 1-3.SHELL: SPCC.
- 2.PLATING SPECIFICATION:
 - 2-1.CONTACTS:
 - GOLD FLASH PLATED ON CONTACT AREA,
 - TIN PLATED ON SOLDER TAILS AREA,
 - NICKEL UNDERPLATING OVER ALL.
 - 2-2. SHELL:
 - NICKEL UNDERPLATING OVER ALL.
- 3.MECHANICAL PERFORMANCE:
 - 3-1.INSERTION FORCE: 3.57kgf MAX
 - 3-2.REMOVAL FORCE: 0.8kgf MIN
 - 3-3.DURABILITY: 1500 CYCLES.
- 4.ELECTRICAL PERFORMANCE:
 - 4-1.CURRENT RATING:1.5A
 - 4-2.VOLTAGE RATING:5V MAX
 - 4-3.CONTACT RESISTANCE: 30m Ohm MAX.
 - 4-4.INSULATION RESISTANCE: 100MΩ MIN
 - 4-5.DIELECTRIC WITHSTANDING VOLTAGE: 500V AC MIN.
- 5.ENVIRONMENTAL PERFORMANCE:
 - OPERATING TEMPERATURE: -25°C~+85°C.
- 6.PACKET: TRAY 100PCS/TRAY



RECOMMENDED PCB LAYOUT

PIN	SLGNAL NAME
1	VBUS
2	D-
3	D+
4	GND

REV.	REVISION RECORD	DATE	GENERAL TOLERANCES		SCALE:	NAME	DATE	PART.NO:	DWG.NO:	 WanLian Technology Co., Ltd
A0	NEW RELEASE	21.01.13	 UNIT:mm SIZE: A4	LINEAR	1:1	Wang_jr	23.09.21	WLU2F0-0411K1263	ENDE05	
A1	ECN20230921005	23.09.21		ANGLES	APPROVED	Ding_bo	23.09.21	TITLE:		
				0.00±0.25	X'±3°	DESIGNER	Ou_jian	23.09.21	USB2.0 A TYPE FEMALE 180° DIP	
				0.000±0.10	X'X' ±2°	DRAWN			REV: A1	SHEET: 1/1