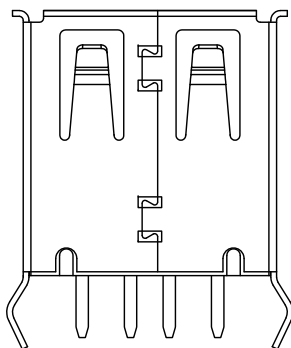
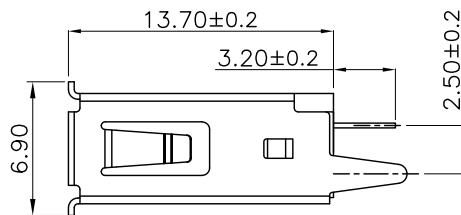
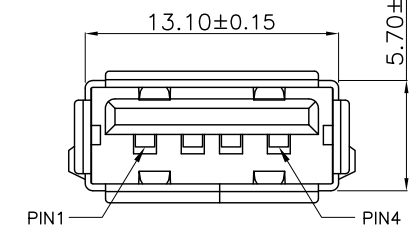
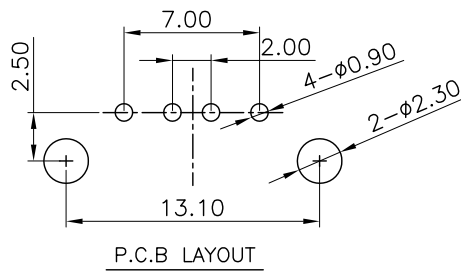
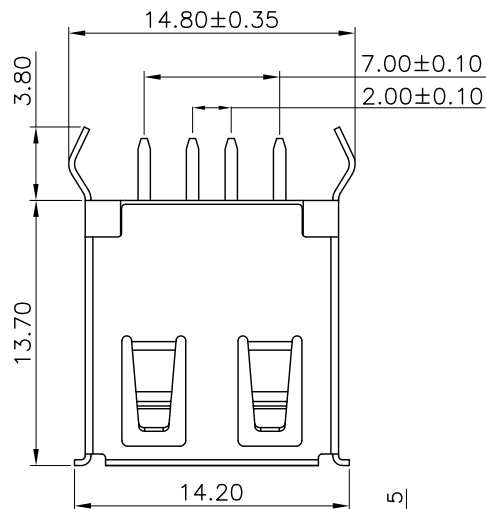


The product using material and processing must conform to the "WI-PZ-001" HSF technical standard control requirements



PIN	SLGNL NAME
1	VBUS
2	D-
3	D+
4	GND

NOTE:


- MATERIAL SPECIFICATION:
 - HOUSING: PBT UL94V-0 WHITE/BLACK
 - CONTACTS: C2680.
 - SHELL: SPCC/C2680
- PLATING SPECIFICATION:
 - CONTACTS:
 - Ni UNDER PLATED OVER ALL.
 - Sn ON SOLDER AREA
 - Au PLATED ON THE FUNCTIONAL AREA OF CONTACT.
 - SHELL:
 - Cu UNDER PLATED OVER ALL.
 - Ni ON SOLDER AREA
- MECHANICAL PERFORMANCE:
 - INSERTION FORCE: 3.57kgf MAX
 - REMOVAL FORCE: 1.02kgf MIN
 - DURABILITY: 1500 CYCLES.
- ELECTRICAL PERFORMANCE:
 - CURRENT RATING: 1.5A
 - VOLTAGE RATING: 20V MAX
 - CONTACT RESISTANCE: 30m Ohm MAX.
 - INSULATION RESISTANCE: 1000MΩ MIN
 - DIELECTRIC WITHSTANDING VOLTAGE: 500V AC MIN.
- ENVIRONMENTAL PERFORMANCE:
 - OPERATING TEMPERATURE: -20°C~+85°C.
- PACK: TARY

WLU2F0-04 1 X X X 146

CONTACTS PLATED:
 1-G/F
 2-Au 3u"
 5-Au 15u"
 6-Au 30u"

SHELL:
 1-SPCC
 2-COPPER ALLOY

HOUSING COLOUR:
 A-BLACK
 K-WHITE

REV.	REVISION RECORD	DATE	GENERAL TOLERANCES		SCALE:	NAME	DATE	PART.NO:	DWG.NO:	 WanLian Technology Co., Ltd	
A0	NEW RELEASE	21.01.13		LINEAR	1:1	APPROVED	Wang_jr	21.08.01	WLU2F0-041XXX146		ENDE05
A1	ECN20231020002	23.10.20		ANGLES		DESIGNER	Han_Gao	21.08.01	TITLE: USB2.0 180° 4P/F H=13.70mm		
			UNIT:mm	0.00±0.25	X°±3°	DRAWN	Zijun_Huang	21.08.01			REV: A1
			SIZE: A4	0.000±0.10	X°X' ±2°						