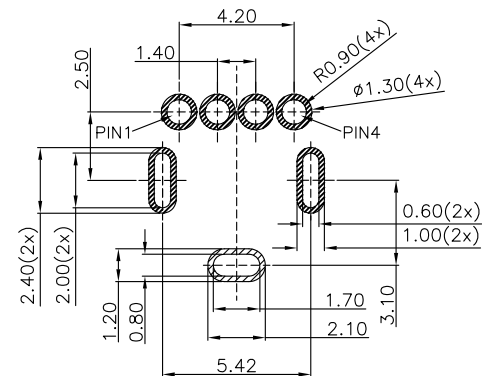
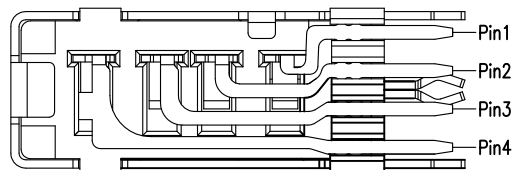


The product using material and processing must conform to the "WI-PZ-142"HSF technical standard control requirements

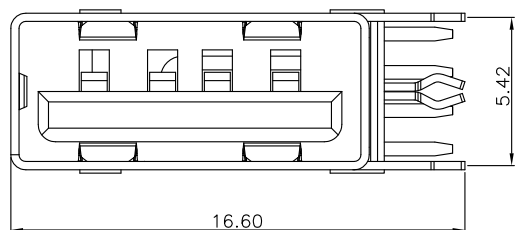
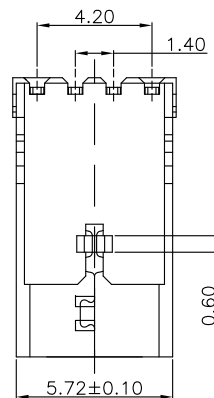
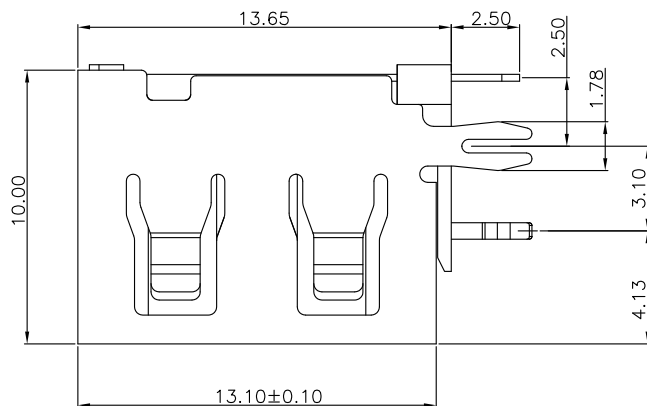
RoHS



RECOMMENDED P.C.B LAYOUT

NOTE:

- 1.MATERIAL SPECIFICATION:
  - 1-1.HOUSING:PBT BLACK UL94V-0
  - 1-2.CONTACTS:C2680.
  - 1-3.SHELL: SPCC
- 2.PLATING SPECIFICATION:
  - 2-1.CONTACTS:
    - GOLD FLASH PLATED ON CONTACT AREA,
    - TIN PLATED ON SOLDER TAILS AREA,
    - NICKEL UNDERPLATING OVER ALL.
  - 2-2. SHELL:
    - NICKEL 50u" MIN. UNDER PLATED OVER ALL.
- 3.MECHANICAL PERFORMANCE:
  - 3-1.INSERTION FORCE: 3.57kgf MAX
  - 3-2.REMOVAL FORCE: 1.02kgf MIN
  - 3-3.DURABILITY: 1500 CYCLES.
- 4.ELECTRICAL PERFORMANCE:
  - 4-1.CURRENT RATING:1.5A
  - 4-2.VOLTAGE RATING:30V MAX
  - 4-3.CONTACT RESISTANCE: 30m Ohm MAX.
  - 4-4.INSULATION RESISTANCE: 1000MΩ MIN
  - 4-5.DIELECTRIC WITHSTANDING VOLTAGE: 500V AC MIN.
- 5.ENVIRONMENTAL PERFORMANCE:
  - OPERATING TEMPERATURE: -20~+85°C.



CONTACT NUMBER	SLGNL NAME
1	VBUS
2	D-
3	D+
4	GND

REV.	REVISION RECORD	DATE		GENERAL TOLERANCES		SCALE:	NAME	DATE	PART.NO:	DWG.NO:	
A0	NEW RELEASE	21.01.13		LINEAR	ANGLES	1:1					
A1	依实物更新图纸	23.07.05		0.0±0.35	X°REF±6°	DESIGNER	Ding_bo	23.07.05	TITLE:	USB2.0 A TYPE FEMAL DIP	
				UNIT:mm	0.00±0.25	X°±3°	DRAWN	Ou_jian			
			SIZE: A4	0.000±0.10	X°X' ±2°						