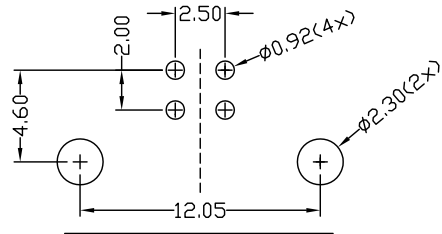
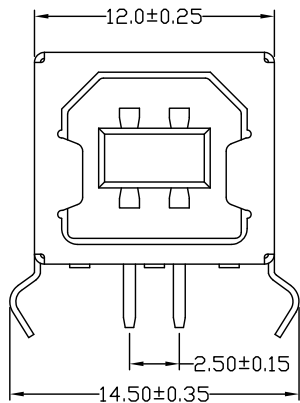
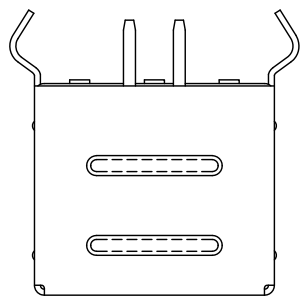
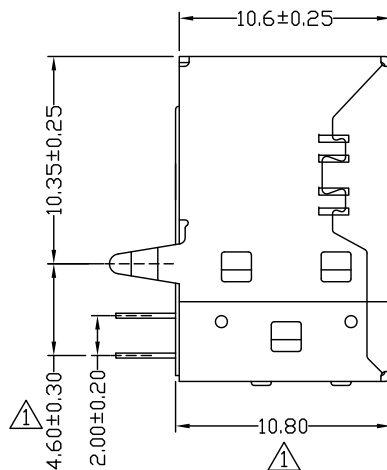
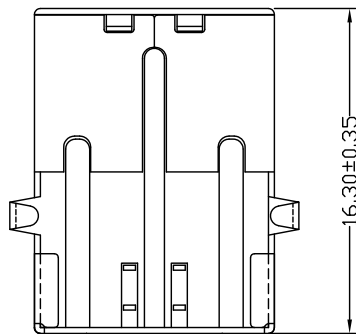


The product using material and processing must conform to the "WL-PZ-001"HSF technical standard control requirements



PCB LAYOUT



NOTE:

1.MATERIAL SPECIFICATION:

- 1-1.HOUSING:PBT WHITE UL94V-0
- 1-2.CONTACTS:C2680.
- 1-3.SHELL: COPPER ALLOY.
- 1-4.BACK COVER:SPCC

2.PLATING SPECIFICATION:

- 2-1.CONTACTS:
GOLD FLASH PLATED ON CONTACT AREA,
TIN PLATED ON SOLDER TAILS AREA,
NICKEL UNDER PLATING OVER ALL.

2-2. SHELL:

- NICKEL UNDER PLATING OVER ALL
- 2-3. BACK COVER:NICKEL UNDER PLATING OVER ALL

3.MECHANICAL PERFORMANCE:

- 3-1.INSERTION FORCE: 3.57kgf MAX
- 3-2.REMOVAL FORCE: 1.02kgf MIN
- 3-3.DURABILITY: 1500 CYCLES.

4.ELECTRICAL PERFORMANCE:

- 4-1.CURRENT RATING:1.5A
- 4-2.VOLTAGE RATING:5V MAX
- 4-3.CONTACT RESISTANCE: 30m Ohm MAX.
- 4-4.INSULATION RESISTANCE: 1000MΩ MIN
- 4-5.DIELECTRIC WITHSTANDING VOLTAGE: 500V AC MIN.

5.ENVIRONMENTAL PERFORMANCE:

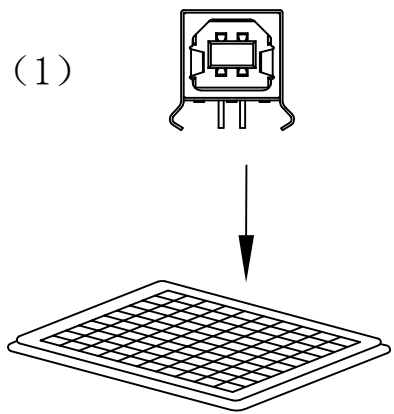
OPERATING TEMPERATURE: -20°C~+85°C.

6.PACKAGE SPEC: TRAY

REV.	REVISION RECORD	DATE		GENERAL TOLERANCES		SCALE: 1:1	NAME	DATE	PART.NO: WLU2F9-0411K1151	DWG.NO: ENDE05	 WanLian Teconology Co., Ltd
A1	NEW RELEASE	22.08.27		LINEAR	ANGLES	APPROVED	Wang_jr	22.08.27			
A2	Cha4.7±0.30 to 4.60±0.30 Add10.80	23.10.23		0.0±0.35	X°REF±6°	DESIGNER	Han_Gao	22.08.27	TITLE: USB2.0 BF R/A DIP	REV: A2	SHEET: 1/1
				0.00±0.25	X°±3°	DRAWN	Ou_jian	22.08.27			
				UNIT:mm	0.00±0.25	X°±3°					
			SIZE: A4	0.000±0.10	X°X' ±2°						

The product using material and processing must conform to the "WL-PZ-001"HSF technical standard control requirements

RoHS

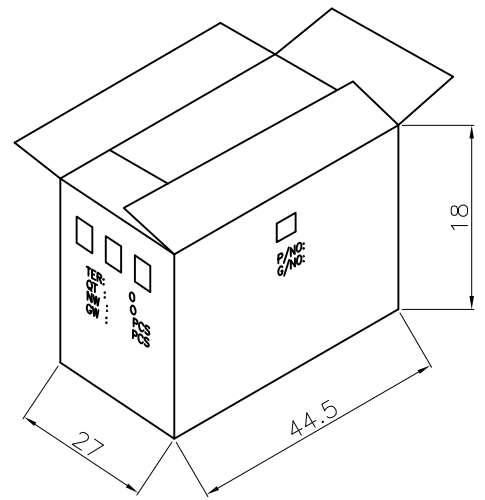
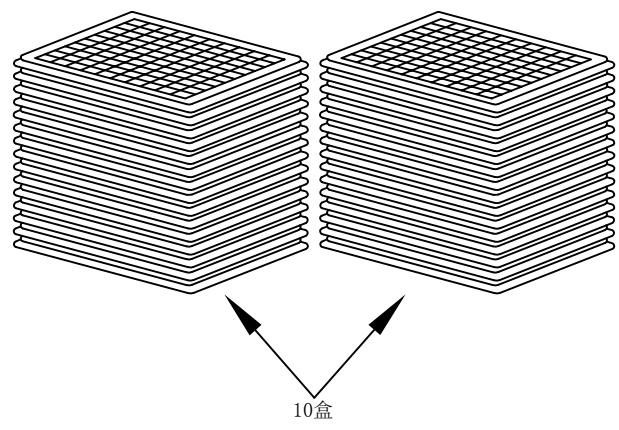


(1) 包材

真空盒上盖 26*21cm
真空盒下盖 26*21cm
外箱: 44.5*27*18cm

(2) 数量

每盒数量为10*10=100Pcs
总数量: 100*20盒=2000Pcs



REV.	REVISION RECORD	DATE		GENERAL TOLERANCES		SCALE: 1:1	NAME	DATE	PART.NO:	DWG.NO:	
A1	NEW RELEASE	16.06.08		LINEAR	ANGLES	APPROVED	Wang_jr	16.06.08	WL02F9-041XXX151	ENDE05	
			UNIT:mm	0.00±0.25	X'±3'	DESIGNER	Han_Gao	16.06.08	TITLE: USB2.0 BF R/A DIP包装图		REV: A1 SHEET: 1/1
			SIZE: A4	0.000±0.10	X'X' ±2'	DRAWN	Zijun_Huang	16.06.08			