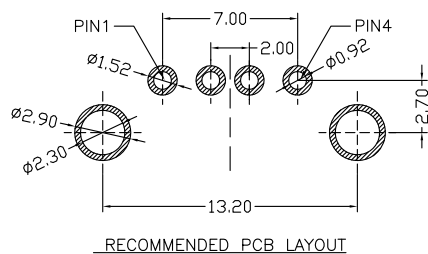
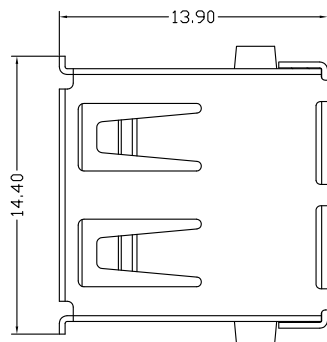
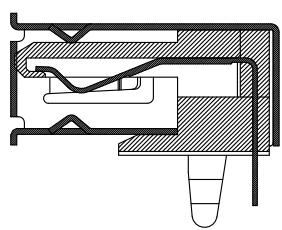
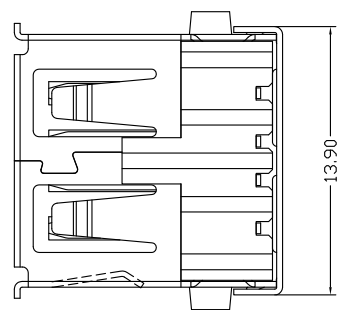
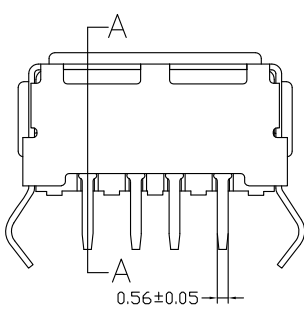
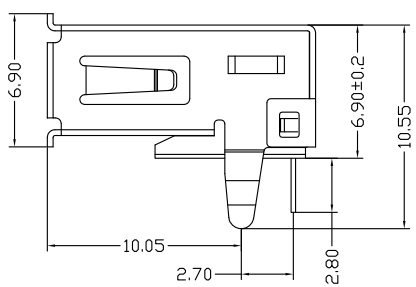
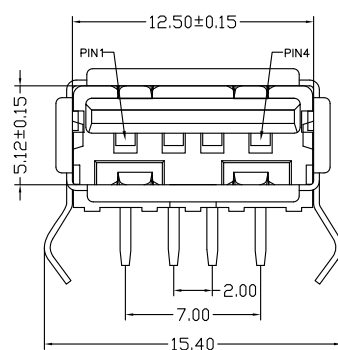


The product using material and processing must conform to the "WI-PZ-001"HSF technical standard control requirements

RoHS




NOTE:  
 1.MATERIAL SPECIFICATION:  
 1-1.HOUSING:PBT  
 1-2.CONTACTS:C2680.  
 1-3.SHELL: SPCC  
 2.PLATING SPECIFICATION:  
 2-1.CONTACTS:  
 GOLD FLASH PLATED ON CONTACT AREA,  
 TIN PLATED ON SOLDER TAILS AREA,  
 NICKEL UNDERPLATING OVER ALL;  
 2-2. SHELL:  
 Ni UNDER PLATED OVER ALL.  
 3.MECHANICAL PERFORMANCE:  
 3-1.INSERTION FORCE: 3.57kgf MAX  
 3-2.REMOVAL FORCE: 1.02kgf MIN  
 3-3.DURABILITY: 1500 CYCLES.  
 4.ELECTRICAL PERFORMANCE:  
 4-1.CURRENT RATING:1.5A  
 4-2.VOLTAGE RATING:30V MAX  
 4-3.CONTACT RESISTANCE: 30m Ohm MAX.  
 4-4.INSULATION RESISTANCE: 1000MΩ MIN  
 4-5.DIELECTRIC WITHSTANDING VOLTAGE:  
 500V AC MIN.  
 5.ENVIRONMENTAL PERFORMANCE:  
 OPERATING TEMPERATURE: -20°C~+85°C.  
 6.P/N:



剖面 A-A  
比例 1:1

WLU2F9-04 1 X X X 184  
 PLATED: 1-G/F  
 2-Au 3u"  
 5-Au 15u"  
 6-Au 30u"  
 HOUSING: 1-PBT  
 2-LCP  
 COLOUR: A-BLACK  
 K-WHITE

REV.	REVISION RECORD	DATE	UNIT:mm	GENERAL TOLERANCES		SCALE: 1:1	NAME	DATE	PART.NO:	DWG.NO:	 WanLian Technology Co., Ltd
A0	NEW RELEASE	21.01.13		SIZE: A4	LINEAR	ANGLES	APPROVED	Wang_jr	23.08.02	WLU2F9-041XXX184	
A1	优化图面	23.08.02	0.00±0.25		X'±3°	DESIGNER	Ou_jian	23.08.02	TITLE: USB2.0 A TYPE Right angle type DIP	REV: A1	SHEET: 1/1
				0.000±0.10	X'X' ±2°	DRAWN	Hou-lanxuan	23.08.02			