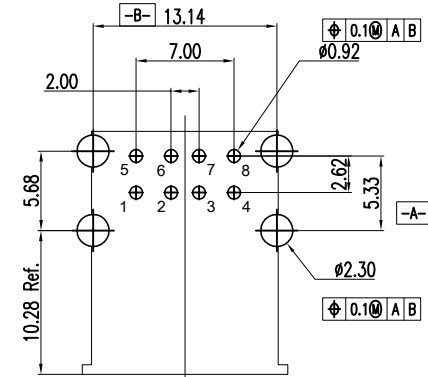
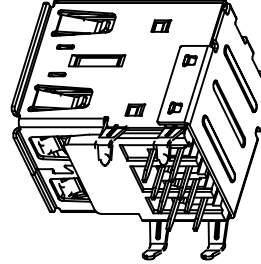
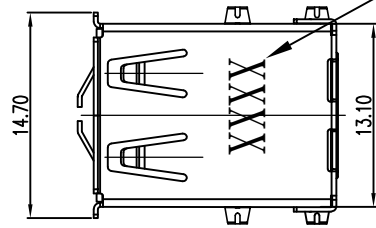


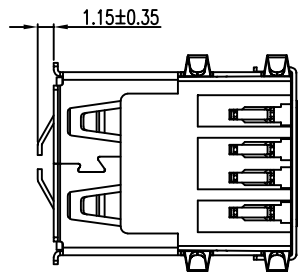
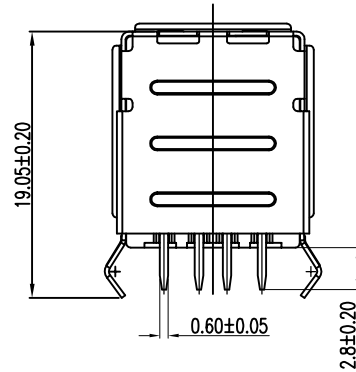
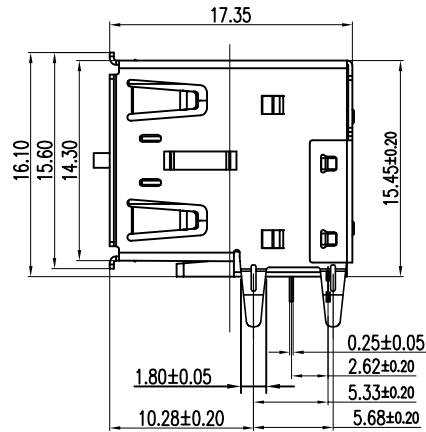
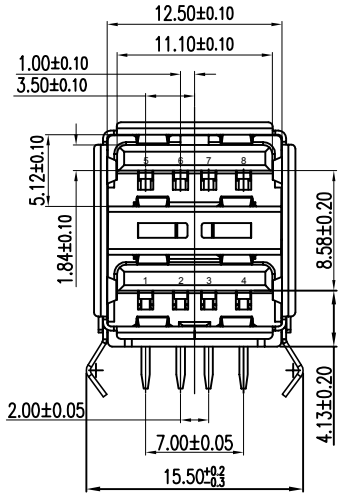
The product using material and processing must conform to the "WL-PZ-001"HSF technical standard control requirements



喷印年月日D/C



RECOMMENDED PCB LAYOUT (TOP VIEW)
GENERAL TOLERANCES:±0.05 (T=1.20)



NOTE:

- MATERIAL SPECIFICATION:
 - HOUSING:LCP BLACK UL94V-0
 - CONTACTS:COPPER ALLOY C2680.
 - SHELL:SPCC.
- PLATING SPECIFICATION:
 - CONTACTS:
Ni 50u" MIN. UNDER PLATED OVER ALL.
Au PLATED ON THE FUNCTIONAL AREA OF CONTACT.
 - SHELL:
Ni 30u" MIN. UNDER PLATED OVER ALL.
- MECHANICAL PERFORMANCE:
 - INSERTION FORCE: 3.57kgf MAX
 - REMOVAL FORCE: 1.02kgf MIN
 - DURABILITY: 1500 CYCLES.
- ELECTRICAL PERFORMANCE:
 - CURRENT RATING:1.5A
 - VOLTAGE RATING:30V MAX
 - Contact Resistance: 30m Ohm Max.
 - INSULATION RESISTANCE: 1000MΩ MIN
 - Dielectric Withstanding Voltage: 500V AC Min
- ENVIRONMENTAL PERFORMANCE:
 - OPERATING TEMPERATURE: -20°C~+85°C.
- PACKAGE SPEC:TRAY

PART NO.

WLU2F9-08 1 X X 0020

PLATING:

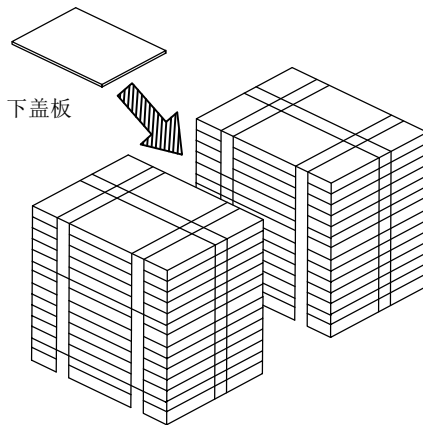
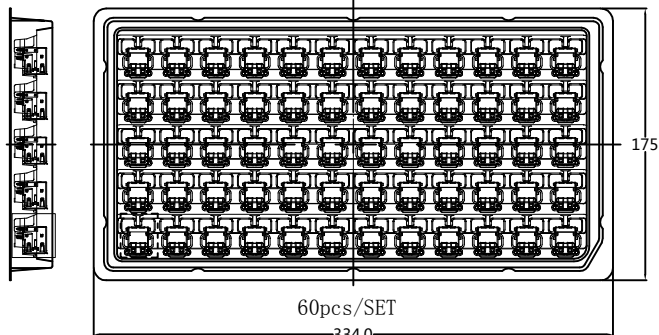
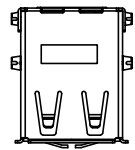
- G/F
- Au 3u"
- Au 15u"
- Au 30u"

COLOUR:

- BLACK
- WHITE

REV.	REVISION RECORD	DATE		GENERAL TOLERANCES		SCALE: 1:1	NAME	DATE	PART.NO: WLU2F9-081XX0020	DWG.NO: ENDE05		
AO	NEW RELEASE	21.11.17		LINEAR	ANGLES	APPROVED	Ou_jian	22.11.05				
B	详见ECN20221105003	22.11.05	UNIT:mm	0.00±0.25	X'±3'	DESIGNER	Ma_xueze	22.11.05	TITLE: USB2.0 AF 双层90度插板 带中夹片双弹	REV: B		SHEET: 1/2
			SIZE: A4	0.000±0.10	X'X' ±2'	DRAWN	Hou_lanxuan	22.11.05				

The product using material and processing must conform to the "WL-PZ-001" HSF technical standard control requirements

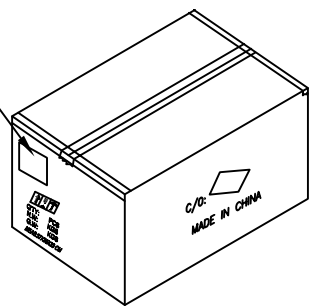


420pcs/扎

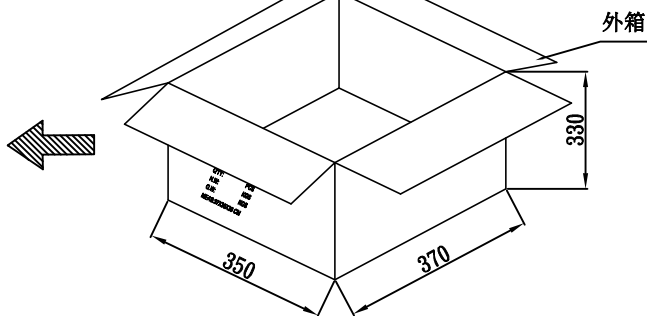
深圳市蓝博科技有限公司	
客户	*****
物料	USB A/F双座
料号	*****
数量	填写实际数量
日期	11.11

标签

标签

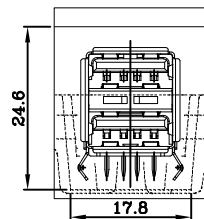
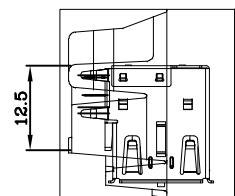


420pcs*4扎=1680pcs/箱



说明:

1. 如图所示, 产品整齐地放于吸塑盘内, 每盘内放60PCS, 然后盖一个上盖, 每7盘为一扎, 用PE膜缠好.
2. 取一个纸箱, 然后将缠好的产品每2扎, 共计4扎1680pcs 放入干燥剂3包, 最后用封箱胶封好箱口.
3. 外包装箱贴物料标签和RoHS标签按客户要求填写.



DETAIL : A
SCALE 2:1

REV.	REVISION RECORD	DATE		GENERAL TOLERANCES		SCALE: 1:1	NAME	DATE	PART.NO:	DWG.NO:	 WanLian Tecnology Co., Ltd
AO	NEW RELEASE	21.11.17		LINEAR	ANGLES	APPROVED	Ou_jian	22.11.05	WLUF9-081XX0020	ENDE05	
			UNIT:mm	0.00±0.25	X'±3'	DESIGNER	Ma_xueze	22.11.05	TITLE:		REV: A0 SHEET: 2/2
			SIZE: A4	0.000±0.10	X'X' ±2'	DRAWN	Hou_lanxuan	22.11.05	USB2.0 AF 双层90度插板 包装图		