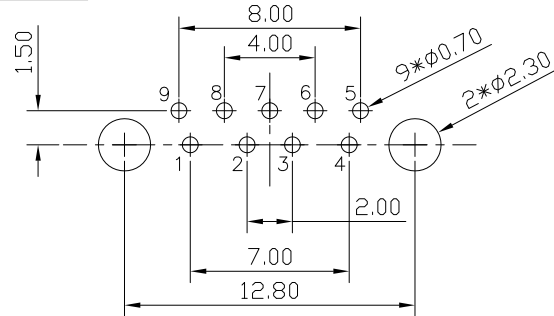
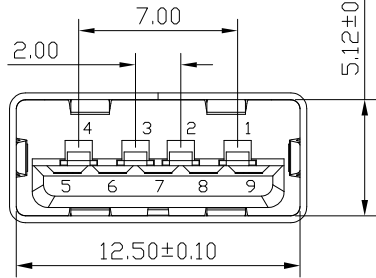


The product using material and processing must conform to the "WI-PZ-001"HSF technical standard control requirements

RoHS



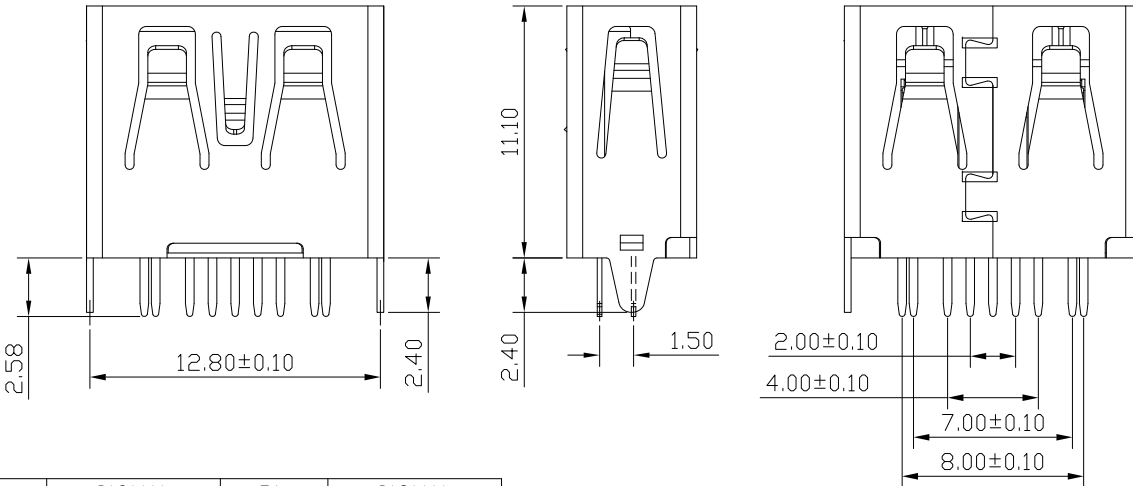
P.C.B LAYOUT
TOL:±0.05

NOTE:

- 1.MATERIAL SPECIFICATION:
 - 1-1.HOUSING:LCP BLUE UL94V-0
 - 1-2.CONTACTS:COPPER ALLOY.
 - 1-3.SHELL:STAINLESS STEEL.
- 2.PLATING SPECIFICATION:
 - 2-1.CONTACTS:
Ni 50u" MIN. UNDER PLATED OVER ALL.
Sn 80u"MIN ON SOLDER AREA
Au PLATED ON THE CONTACTS AREA.
 - 2-2. SHELL:
Ni 80u" MIN. UNDER PLATED OVER ALL.
- 3.MECHANICAL PERFORMANCE:
 - 3-1.INSERTION FORCE: 3.57kgf MAX
 - 3-2.REMOVAL FORCE: 1.02kgf MIN
 - 3-3.DURABILITY: 5000 CYCLES.
- 4.ELECTRICAL PERFORMANCE:
 - 4-1.CURRENT RATING:1.5A
 - 4-2.VOLTAGE RATING:30V MAX
 - 4-3.CONTACT RESISTANCE: 30mΩ MAX.
 - 4-4.INSULATION RESISTANCE: 1000MΩ MIN
 - 4-5.DIELECTRIC WITHSTANDING VOLTAGE: 100V AC MIN.
- 5.ENVIRONMENTAL PERFORMANCE:
 - OPERATING TEMPERATURE: -40°C~+85°C.
- 6.PACKAGE SPEC:TRAY
- 7.P/N ORDER:

WLU3F0-09 1 X X X 089

PLATING: 1-G/F
2-Au 3u"
5-Au 15u"
6-Au 30u"
SHELL: 1-SPCC
2-COPPER ALLOY
3-SUS
HOUSING COLOUR: A-BLACK
G-BLUE



Pin NUMBER	SIGNAL NAME	Pin NUMBER	SIGNAL NAME
1	VBUS	5	StdA_SSRX-
2	D-	6	StdA_SSRX+
3	D+	7	GND_DRAIN
4	GND	8	StdA_SSTX-
		9	StdA_SSTX+
SHELL	SHIELD	SHELL	SHIELD

REV.	REVISION RECORD	DATE
A0	NEW RELEASE	21.01.13
A1	变更接合线方向	24.1.19

GENERAL TOLERANCES		SCALE:	NAME	DATE
	LINEAR	1:1	Wang_jr	24.1.19
	ANGLES		Han_Gao	24.1.19
	0.0±0.35		Zijun_Huang	24.1.19
	UNIT:mm			
SIZE: A4	0.00±0.10			

PART.NO:	DWG.NO:
WLU3F0-0911G3089	ENDE05
TITLE: USB3.0 A TYPE 9P/F DIP L=11.1mm	



REV: A1	SHEET: 1/1
---------	------------