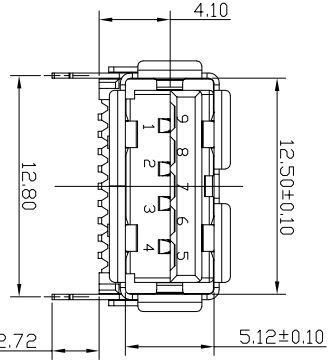
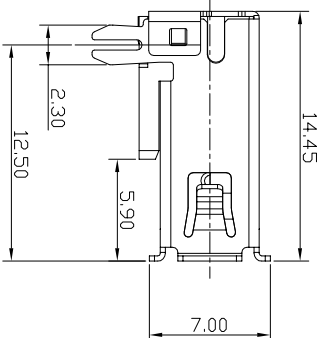
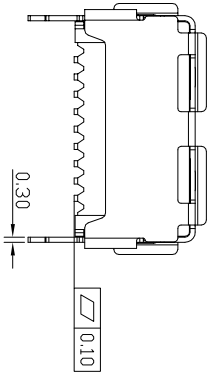
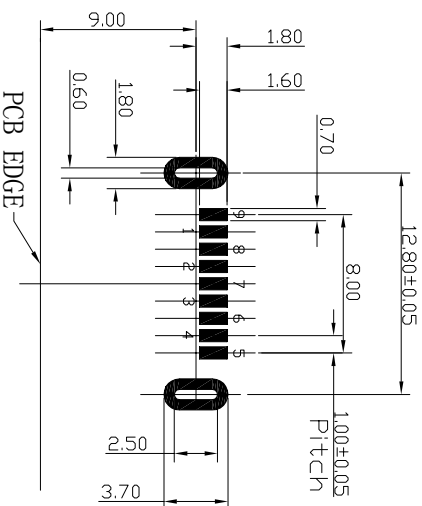
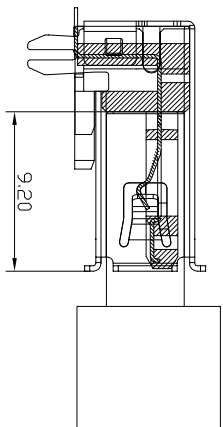
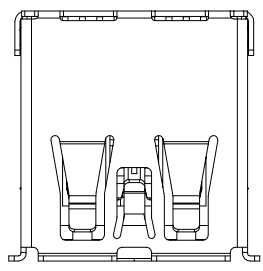


The product using material and processing must conform to the "WL-PZ-001"HSF technical standard control requirements



Pin NUMBER	SIGNAL NAME
1	VBUS
2	D-
3	D+
4	GND
5	SIDA_SSRX-
6	SIDA_SSRX+
7	GND_DRAIN
8	SIDA_SSTX-
9	SIDA_SSTX+
	Shell Shield

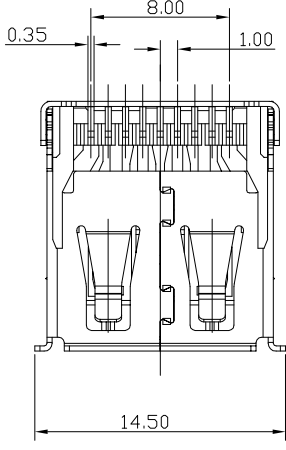
NOTE:  
 1.MATERIAL SPECIFICATION:  
 1-1.HOUSING:LCP BLUE UL94V-0  
 1-2.CONTACTS:COPPER ALLOY(C2680).  
 1-3.SHELL:COPPER ALLOY  
 2.PLATING SPECIFICATION:  
 2-1.CONTACTS:  
 Ni 50u" MIN. UNDER PLATED OVER ALL.  
 Sn 80u"MIN ON SOLDER AREA  
 Au PLATED ON THE CONTACTS AREA.  
 2-2. SHELL:  
 Ni 80u" MIN. UNDER PLATED OVER ALL.  
 3.MECHANICAL PERFORMANCE:  
 3-1.INSERTION FORCE: 3.57kgf MAX  
 3-2.REMOVAL FORCE: 1.02kgf MIN  
 3-3.DURABILITY: 5000 CYCLES.  
 4.ELECTRICAL PERFORMANCE:  
 4-1.CURRENT RATING:1.5A  
 4-2.VOLTAGE RATING:30V MAX  
 4-3.CONTACT RESISTANCE: 30mΩ MAX.  
 4-4.INSULATION RESISTANCE: 1000MΩ MIN  
 4-5.DIELECTRIC WITHSTANDING VOLTAGE: 100V AC MIN.  
 5.ENVIRONMENTAL PERFORMANCE:  
 OPERATING TEMPERATURE: -40°C~+85°C.

P/N:  
 WL03F9-09 2 X X X 221

PLATING:  
 1-G/F  
 2-AU 3U"  
 5-AU 15U"  
 6-AU 30U"

SHELL:  
 1-SPCC  
 2-COPPER ALLOY  
 3-SUS 201

HOUSING COLOUR:  
 A-BLACK  
 G-BLUE



Pin NUMBER	SIGNAL NAME
1	VBUS
2	D-
3	D+
4	GND
5	SIDA_SSRX-
6	SIDA_SSRX+
7	GND_DRAIN
8	SIDA_SSTX-
9	SIDA_SSTX+
	Shell Shield

REV.	REVISION RECORD	DATE	GENERAL TOLERANCES	SCALE:	NAME	DATE	PART.ND:	DWG.ND:
A0	NEW RELEASE	21.01.13	LINEAR 0.0±0.35 X°REF±6°	1:1	Wang_jr	21.01.13	WL03F9-0922XXXX221	ENDE05
			ANGLES X°±3°		DESIGNER Han_Gao	21.01.13		
			UNIT: mm SIZE: A4		DRAWN Zijun_Huang	21.01.13		
							TITLE: USB3.0 A TYPE 9P/F SMT H=2.7mm	
								REV: A0
								SHEET: 1/1

