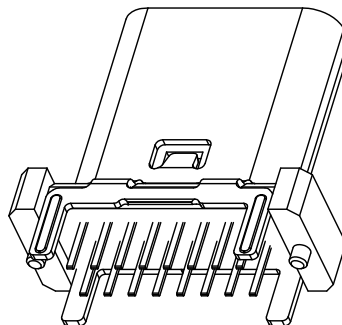
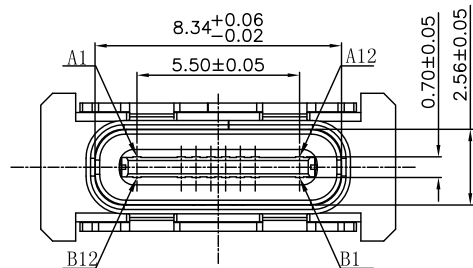


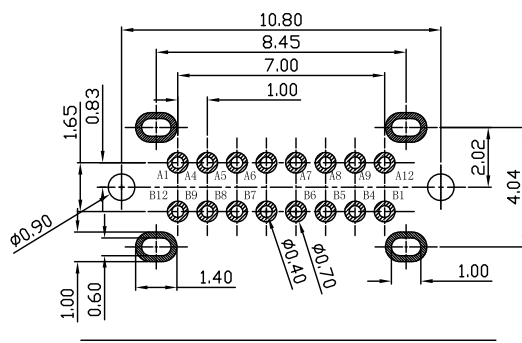
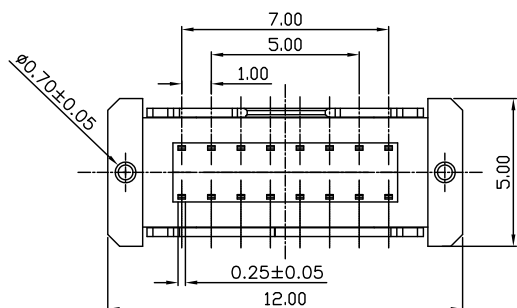
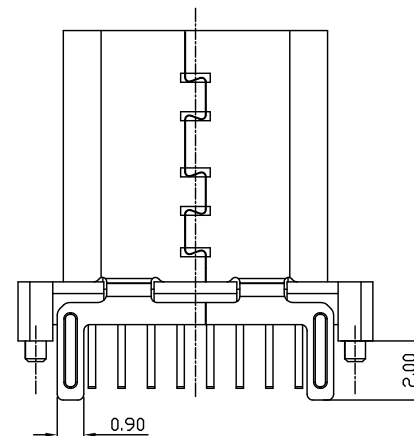
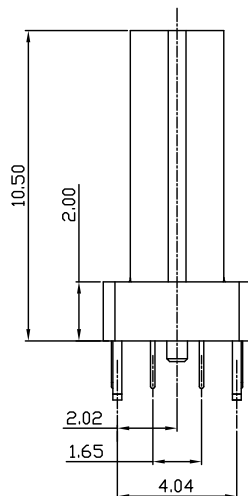
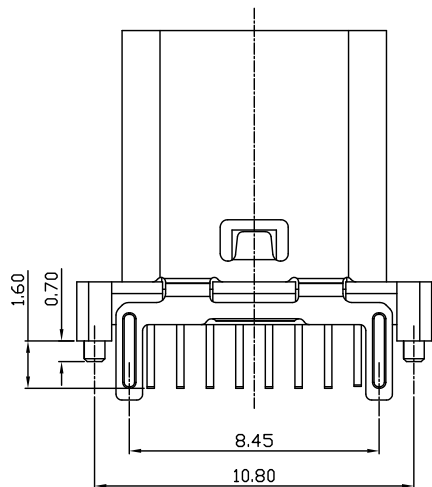
The product using material and processing must conform to the "WI-PZ-001"HSF technical standard control requirements

RoHS



NOTE:

- 1.MATERIAL SPECIFICATION:
 - 1-1.HOUSING:LCP BLACK UL94 V-0
 - 1-2.CONTACTS:COPPER ALLOY C7025
 - 1-3.MID PLATE:STAINLESS STEEL
 - 1-4.SHELL: STAINLESS STEEL
- 2.PLATING SPECIFICATION:
 - 2-1.CONTACTS:
 - Ni UNDER PLATED OVER ALL.
 - Au PLATED ON THE FUNCTIONAL AREA OF CONTACT.
 - 2-2.MID PLATE: CLEAR ONLY
 - 2-3.FRONT SHELL:Ni UNDER PLATED OVER ALL.
- 3.MECHANICAL PERFORMANCE:
 - 3-1.INSERTION FORCE: 2.0kgf MAX
 - 3-2.REMOVAL FORCE: 0.8kgf MIN
 - 3-3.DURABILITY: 10000 CYCLES.
- 4.ELECTRICAL PERFORMANCE:
 - 4-1. CURRENT RATING:5.0A
VOLTAGE RATING:20V MAX
 - 4-2. CONTACT RESISTANCE: 40m Ohm Max.
 - 4-3.INSULATION RESISTANCE: 100MΩ MIN
 - 4-4.WITHSTANDING VOLTAGE: 100V AC r.m.s.
- 5.ENVIRONMENTAL PERFORMANCE:
 - OPERATING TEMPERATURE: -25°C~+85°C.

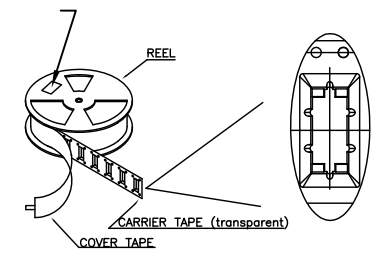
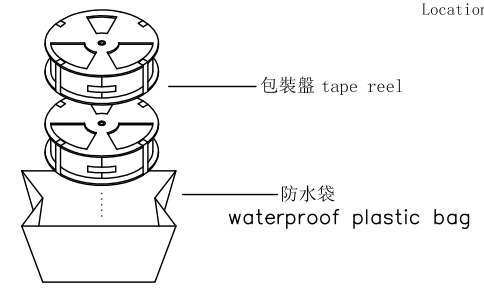
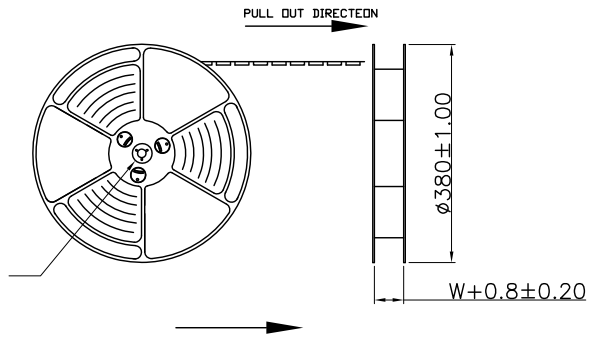


A1	A2	A3	A4	A5	A6	A7	A8	A9	A10	A11	A12
GND			VBUS	CC1	D+	D-	SBU1	VBUS			GND
GND			VBUS	SBU2	D-	D+	CC2	VBUS			GND
B12	B11	B10	B9	B8	B7	B6	B5	B4	B3	B2	B1

REV.	REVISION RECORD	DATE		GENERAL TOLERANCES		SCALE: 1:1	NAME	DATE	PART.NO:	DWG.NO:	 WanLian Technology Co., Ltd
A0	NEW RELEASE	21.01.13		LINEAR	ANGLES	APPROVED	Wang_jr	21.01.13	WLT2FO-1611A0194	ENDE05	
			UNIT:mm	0.0±0.25	X°±3°	DESIGNER	Han_Gao	21.01.13	TITLE:		REV: A0
			SIZE: A4	0.000±0.10	X°X' ±2°	DRAWN	Zijun_Huang	21.01.13	Type C 16P SOCKET DIP H1.6 L=10.5mm		

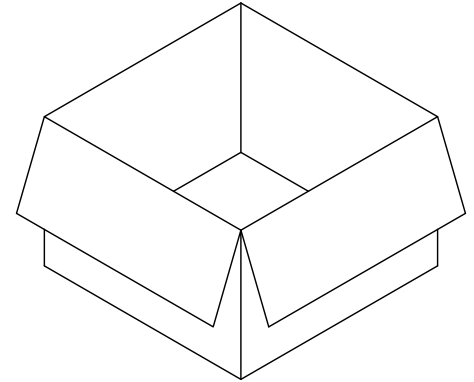
The product using material and processing must conform to the "WI-PZ-001"HSF technical standard control requirements

at small positioning hole of the carrier tape side.
 標籤黏貼處(朝捲裝包材的小定位孔一側)
 Location of label sticking (label)

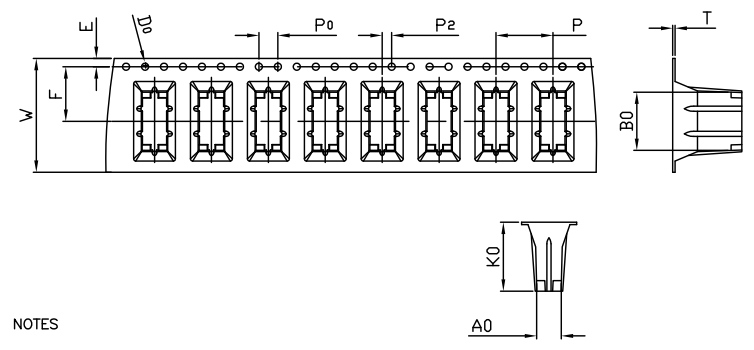


NOTE:

- 1.每捲包裝數量及每箱裝箱數量如左下表格。
Packing q'ty of each reel & carton as belowtable shown.
- 2.將裝滿產品的卷盤放入紙箱并以膠帶封口
Put reels in the carton and use adhesive tape to seal up.



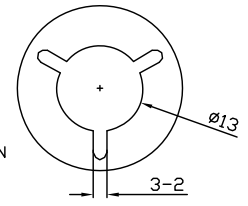
紙箱: 390mmX390mmX310mm



NOTES
 1.帶子引導長度
 LEAD TAPE LENGTH
 出料方向
 PULL OUT DIRECTEON



2.上帶 剝力力為: 0.1~1.3N(10.2gf~130gf)
 PEELING OFF FORCE OF TOP TAPE:0.1~1.3N(10.2gf~130gf)
 出貨運輸過程中一定注意:
 THIS REQUIREMENT SHOULD BE APPLIED AT SHIPMENT:
 卷帶在運輸過程中不能散開
 PEELING OFF SHOULD NOT BE ALLOWED DURING TRANSPORTATION



DETAIL: A
 10:1

卷帶	規格: $\phi 380\text{mm}$	包裝數量: 500PCS
紙箱	規格: 390mmX390mmX310mm	包裝數量: 10盤(5000PCS)

W	24.00±0.3
A0	5.24±0.1
B0	12.30±0.1
K0	13.35±0.1
P	12.00±0.1
F	11.50±0.1
E	1.75±0.1
D0	1.50±0.1
P0	4.00±0.1
P2	2.00±0.1
T	0.50±0.05

REV.	REVISION RECORD	DATE		GENERAL TOLERANCES		SCALE: 1:1	NAME	DATE	PART.NO: WLT2FO-1611A0194	DWG.NO: ENDE05	 WanLian Technology Co., Ltd
A0	NEW RELEASE	21.01.13		LINEAR	ANGLES	APPROVED	Wang_jr	21.01.13			
			UNIT:mm	0.00 ± 0.25	$X^{\circ}\pm 3^{\circ}$	DESIGNER	Han_Gao	21.01.13	TITLE: Type C 16P SOCKET DIP H1.6 L=10.5mm		
			SIZE: A4	0.000 ± 0.10	$X^{\circ}X^{\circ}\pm 2^{\circ}$	DRAWN	Zijun_Huang	21.01.13			
									REV: A0	SHEET: 2/2	