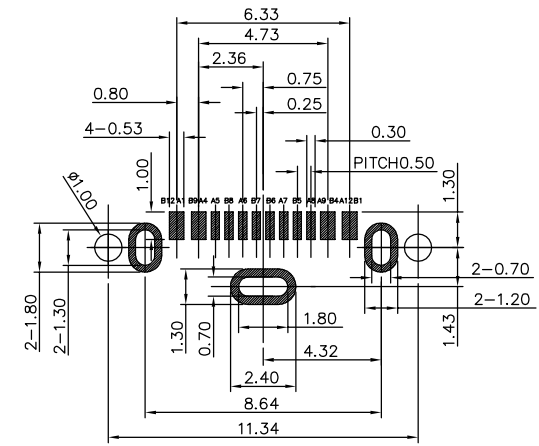
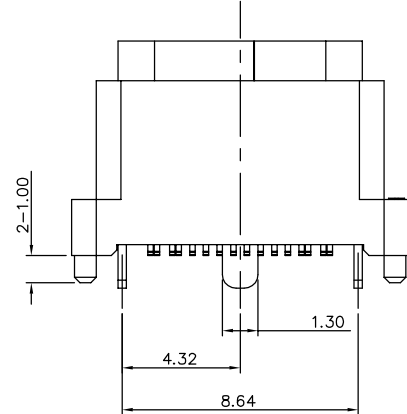
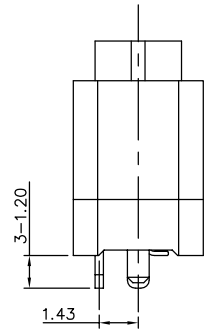
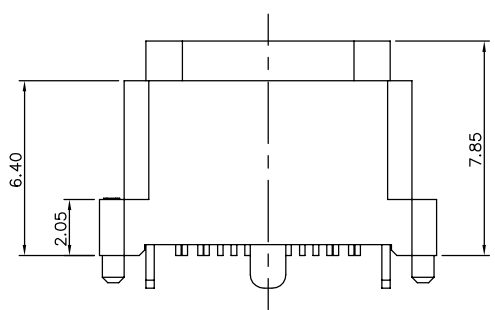
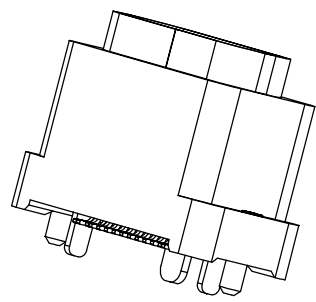
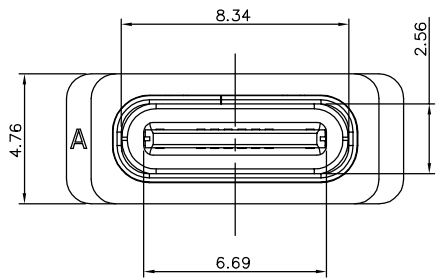
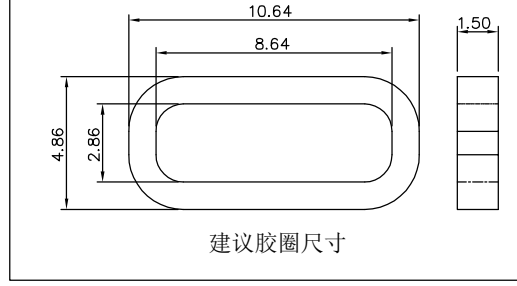
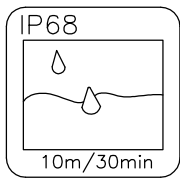
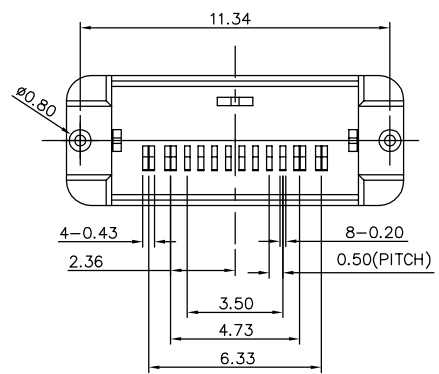


The product using material and processing must conform to the "WL-PZ-001"HSF technical standard control requirements

RoHS



RECOMMENDED PCB LAYOUT(TOP VIEW)
(GENERAL TOLERANCE±0.05)



- NOTES:
SPECIFICATION:
- CURRENT RATING: 5.0A MAX
 - DIELECTRIC WITHSTAND VOLTAGE: 100VAC
 - TEMPERATURE RANGE: -30 °C ~ 85 °C
 - CONTACT RESISTANCE: 40 MILLIONHM MAX
 - INSULATION RESISTANCE: 100 MEGOHMS MIN.
 - INSERTION FORCE : 5N~20N
 - UNMATING FORCE: 8N~20N
 - DURABILITY: 10,000 CYCLES

A1	GND	B12	GND
A4	VBUS	B9	VBUS
A5	CC1	B8	SBU2
A6	DP1	B7	DN2
A7	DN1	B6	DP2
A8	SBU1	B5	CC2
A9	VBUS	B4	VBUS
A12	GND	B1	GND
PIN	SIGNAL NAME	PIN	SIGNAL NAME

6	防水圈	硅胶	BLACK	1PCS
5	SHELL	STAINLESS STEEL	Ni Plated	1PCS
4	SHIELDING PLATE	STAINLESS STEEL	Ni Plated	1PCS
3	CONTACT	COPPER ALLOY(C7025)	Au 1u"/Ni Plated	1SET
2	SHELL HOUSING	HIGH TEMPERATURE PLASTIC	BLACK	1PCS
1	HOUSING	HIGH TEMPERATURE PLASTIC(PA10T)	BLACK	1PCS
NO.	DESCRIPTION	MATERIAL	REMARKS	QTY

REV.	REVISION RECORD	DATE	UNIT:mm	GENERAL TOLERANCES		SCALE:	NAME	DATE	PART.NO: WLT2FO-1621A2121	DWG.NO: ENDE05	TITLE: TYPE C 16P/F 180° SMT IPX8	REV: C	SHEET: 1/1
AO	NEW RELEASE	2023.01.06		LINEAR	ANGLES	1:1	APPROVED	Wang_jr					
B	Current Rating 3A Change 5A	2022.11.23	0.00±0.25	X°REF±6°	DESIGNER	Ou_Jian	2023.01.06						
C	WLT2FO-1621A121-133 Change WLT2FO-1621A2121	2023.01.06	0.00±0.10	X°X' ±2°	DRAWN	Hou_lanxuan	2023.01.06						

