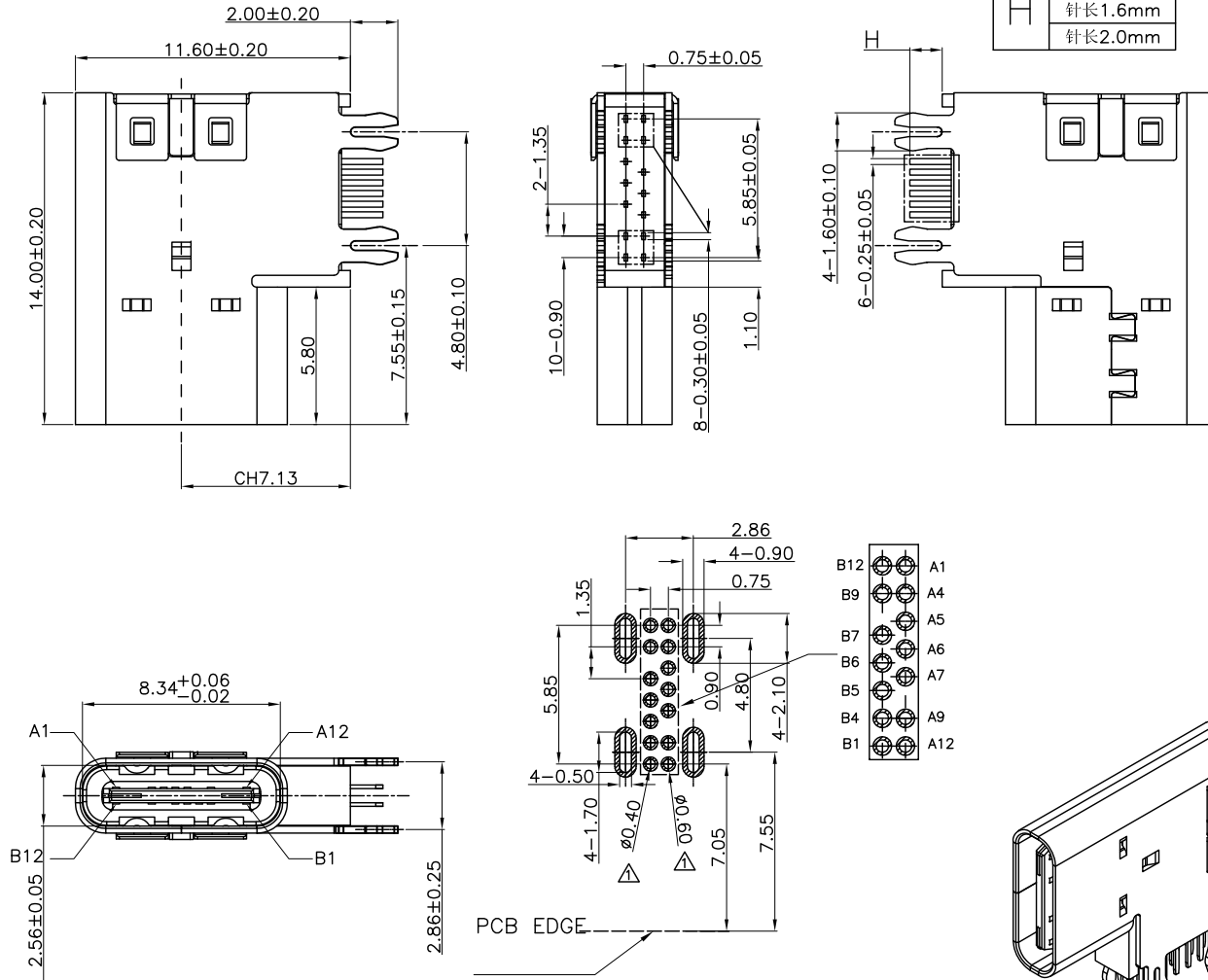


The product using material and processing must conform to the "WI-PZ-001"HSF technical standard control requirements



H	针长1.3mm
	针长1.6mm
	针长2.0mm

NOTE:

1.MATERIAL SPECIFICATION:  
 1-1.HOUSING:LCP BLACK UL94V-0  
 1-2.CONTACTS:COPPER ALLOY C7025  
 1-3.MID PLATE:STAINLESS STEEL  
 1-4.SHELL: STAINLESS STEEL  
 1-5.CAP: STAINLESS STEEL

2.PLATING SPECIFICATION:  
 2-1.CONTACTS:  
 Ni UNDER PLATED OVER ALL.  
 Au PLATED ON THE FUNCTIONAL AREA OF CONTACT.  
 2-2.MID PLATE: CLEAR ONLY  
 2-3.FRONT SHELL:Ni UNDER PLATED OVER ALL.

3.MECHANICAL PERFORMANCE:  
 3-1.INSERTION FORCE: 2.0kgf MAX  
 3-2.REMOVAL FORCE: 0.8kgf MIN  
 3-3.DURABILITY: 10000 CYCLES.

4.ELECTRICAL PERFORMANCE:  
 4-1. CURRENT RATING:5.0A  
 VOLTAGE RATING:20V MAX  
 4-2. CONTACT RESISTANCE: 40m Ohm Max.  
 4-3.INSULATION RESISTANCE: 100MΩ MIN  
 4-4.WITHSTANDING VOLTAGE: 100V AC r.m.s.

5.ENVIRONMENTAL PERFORMANCE:  
 OPERATING TEMPERATURE: -25°C~+85°C.

6.P/N:  
 WLT2F9-14 1 X X X 201

Plated: \_\_\_\_\_


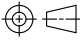
1.G/F  
 2.Au 3u"  
 5.Au 15u"  
 6.Au 30u"

Pin:  $\Delta$   
 0-1.3mm  
 1-1.6mm  
 2-2.0mm

Colour:  
 A-Black

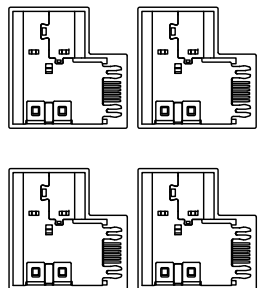
A1	A2	A3	A4	A5	A6	A7	A8	A9	A10	A11	A12
GND			VBUS	CC1	D+	D-		VBUS			GND
GND			VBUS		D-	D+	CC2	VBUS			GND
B12	B11	B10	B9	B8	B7	B6	B5	B4	B3	B2	B1

RECOMMENDED P.C.B. LAYOUT  
 TOLERANCE UNSPECIFIED ±0.05mm

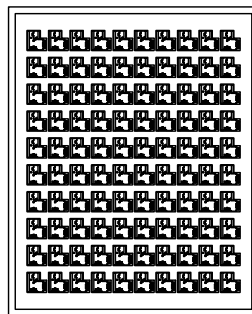
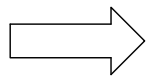
REV.	REVISION RECORD	DATE	GENERAL TOLERANCES		SCALE:	NAME	DATE	PART.NO:	DWG.NO:	 WanLian Technology Co., Ltd	
A0	NEW RELEASE	21.01.13		LINEAR	1:1	Wang_jr	23.06.30	WLT2F9-1411A0201	ENDE05		
A1	ADD $\Delta$	23.06.30		ANGLES		DESIGNER	Ou_jian	23.06.30	TITLE:		
			UNIT:mm	0.00±0.25	X°±3°	DRAWN	Hou_lanxuan	23.06.30	Type C 14P/F DIP CH=7.13mm		REV: A1

The product using material and processing must conform to the "WI-PZ-001"HSF technical standard control requirements

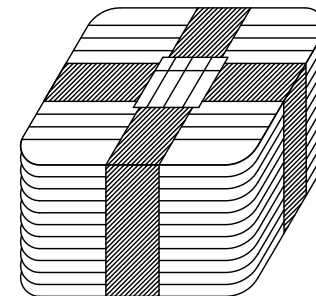
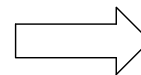
RoHS



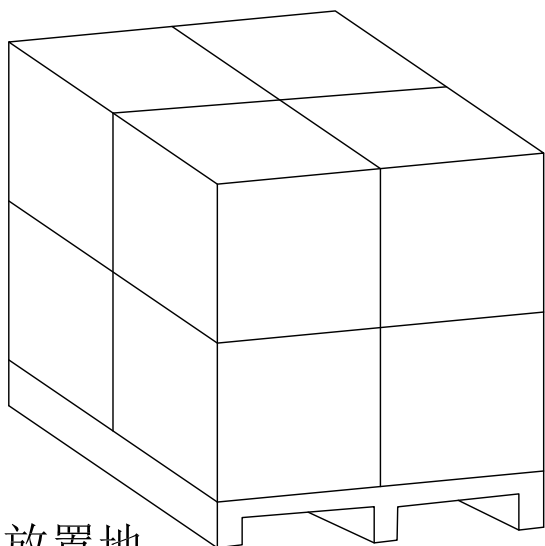
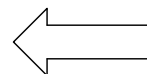
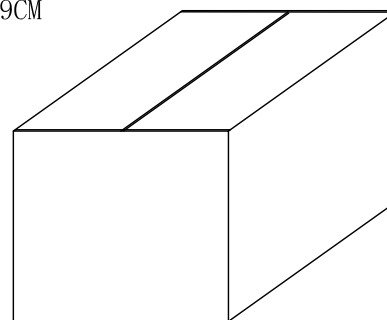
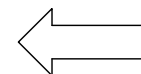
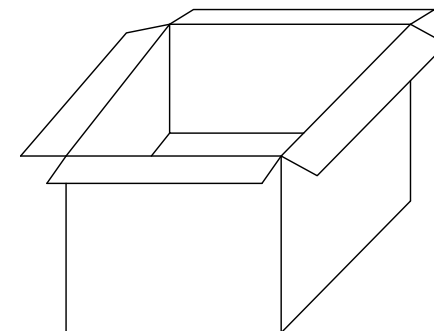
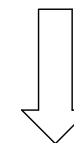
产品



吸塑盘：150PCS/盘



吸塑盘：10盘/扎



放置地

注释：

1. 吸塑盒：2.31\*1.86\*0.8/CM
2. 数量：150PCS/盒  
6000PCS/箱
3. 纸箱：38\*25\*19CM

REV.	REVISION RECORD	DATE		GENERAL TOLERANCES		SCALE: 1:1	NAME	DATE	PART.NO: WLT2F9-1411A0201	DWG.NO: ENDE05	 WanLian Technology Co., Ltd
A0	NEW RELEASE	21.01.13		LINEAR	ANGLES	APPROVED	Wang_jr	23.06.30			
			UNIT:mm	0.00±0.25	X°±3°	DESIGNER	Ou_jian	23.06.30	TITLE: Type C 14P/F DIP CH=7.13mm包装图		
			SIZE: A4	0.000±0.10	X°X' ±2°	DRAWN	Hou_lanxuan	23.06.30			
									REV: A0	SHEET: 1/1	