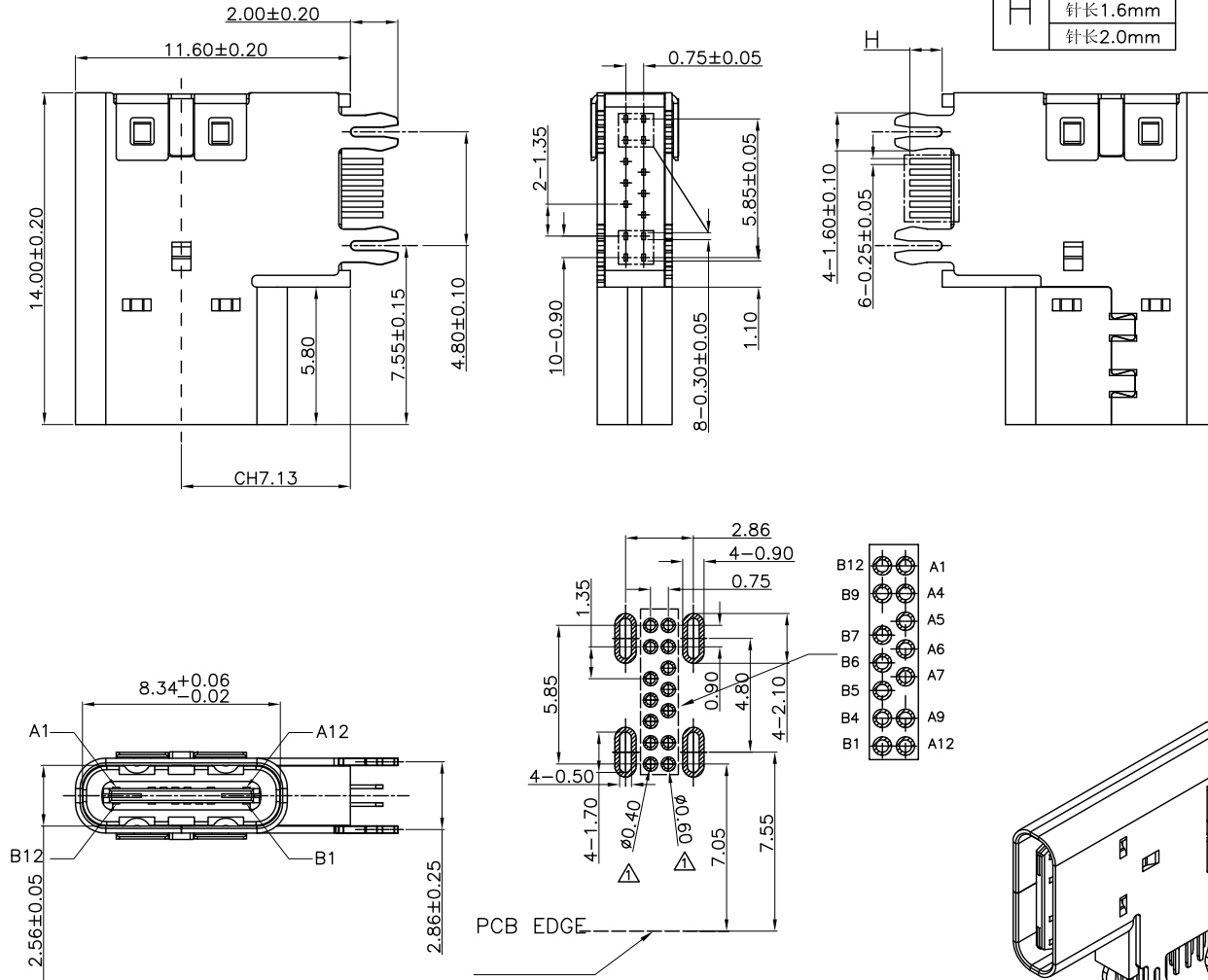


The product using material and processing must conform to the "WI-PZ-001"HSF technical standard control requirements



NOTE:

- MATERIAL SPECIFICATION:
  - HOUSING: LCP BLACK UL94V-0
  - CONTACTS: COPPER ALLOY C7025
  - MID PLATE: STAINLESS STEEL
  - SHELL: STAINLESS STEEL
  - CAP: STAINLESS STEEL
- PLATING SPECIFICATION:
  - CONTACTS: Ni UNDER PLATED OVER ALL. Au PLATED ON THE FUNCTIONAL AREA OF CONTACT.
  - MID PLATE: CLEAR ONLY
  - FRONT SHELL: Ni UNDER PLATED OVER ALL.
- MECHANICAL PERFORMANCE:
  - INSERTION FORCE: 2.0kgf MAX
  - REMOVAL FORCE: 0.8kgf MIN
  - DURABILITY: 10000 CYCLES.
- ELECTRICAL PERFORMANCE:
  - CURRENT RATING: 5.0A  
VOLTAGE RATING: 20V MAX
  - CONTACT RESISTANCE: 40m Ohm Max.
  - INSULATION RESISTANCE: 100MΩ MIN
  - WITHSTANDING VOLTAGE: 100V AC r.m.s.
- ENVIRONMENTAL PERFORMANCE:
 

OPERATING TEMPERATURE: -25°C~+85°C.
- P/N:
 

WLT2F9-14 1 X X X 201

Plated: \_\_\_\_\_

1.G/F  
2.Au 3u"  
5.Au 15u"  
6.Au 30u"

Pin:  $\Delta$   
0-1.3mm  
1-1.6mm  
2-2.0mm

Colour:  
A-Black

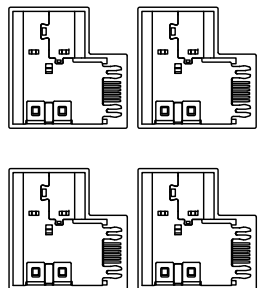
A1	A2	A3	A4	A5	A6	A7	A8	A9	A10	A11	A12
GND			VBUS	CC1	D+	D-		VBUS			GND
GND			VBUS		D-	D+	CC2	VBUS			GND
B12	B11	B10	B9	B8	B7	B6	B5	B4	B3	B2	B1

RECOMMENDED P.C.B. LAYOUT  
TOLERANCE UNSPECIFIED ±0.05mm

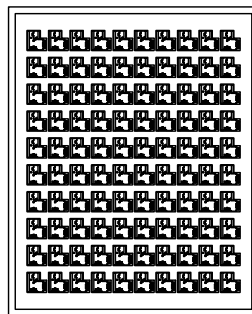
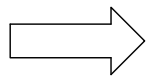
REV.	REVISION RECORD	DATE	GENERAL TOLERANCES		SCALE:	NAME	DATE	PART.NO:	DWG.NO:	<p>WanLian Technology Co., Ltd</p>	
A0	NEW RELEASE	21.01.13	LINEAR	ANGLES	1:1	APPROVED	Wang_jr	23.06.30	WLT2F9-1411A1201		ENDE05
A1	ADD $\Delta$	23.06.30	0.00±0.35	X°REF±6°		DESIGNER	Ou_jian	23.06.30			
			0.00±0.25	X°±3°		DRAWN	Hou_lanxuan	23.06.30			
			UNIT:mm	0.00±0.10	X°X'±2°				TITLE: Type C 14P SOCKET DIP L=14.0mm	REV: A1	SHEET: 1/1

The product using material and processing must conform to the "WI-PZ-001"HSF technical standard control requirements

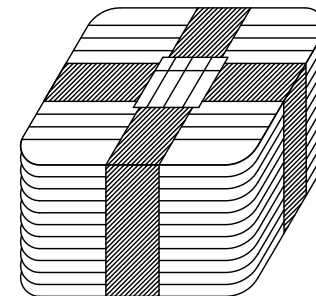
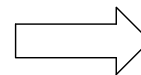
RoHS



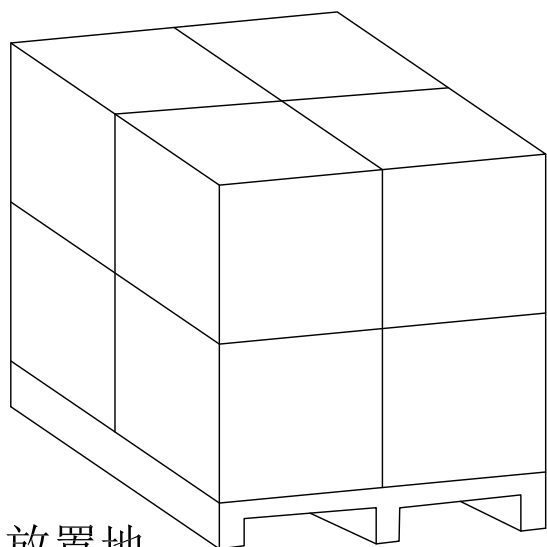
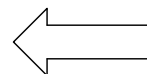
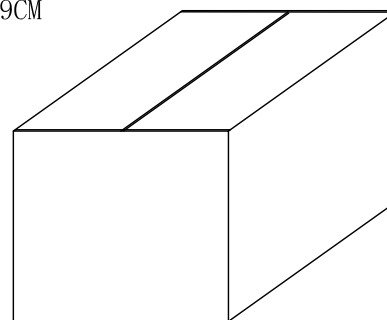
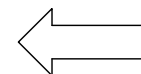
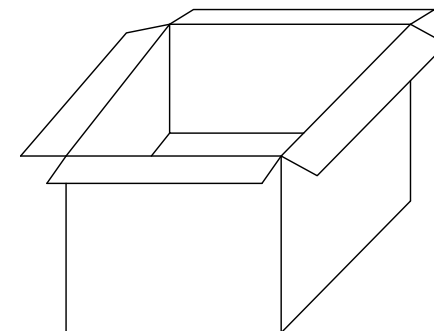
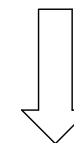
产品



吸塑盘: 150PCS/盘



吸塑盘: 10盘/扎



放置地

注释:

1. 吸塑盒: 2.31\*1.86\*0.8/CM
2. 数量: 150PCS/盒  
6000PCS/箱
3. 纸箱: 38\*25\*19CM

REV.	REVISION RECORD	DATE		GENERAL TOLERANCES		SCALE: 1:1	NAME	DATE	PART.NO: WLT2F9-1411A1201	DWG.NO: ENDE05	 WanLian Technology Co., Ltd	
A0	NEW RELEASE	21.01.13		LINEAR	ANGLES	APPROVED	Wang_jr	23.06.30				
			UNIT:mm	0.00±0.25	X°±3°	DESIGNER	Ou_jian	23.06.30	TITLE: Type C 14P SOCKET DIP L=14.0mm 包装图	REV: A0		SHEET: 1/1
			SIZE: A4	0.000±0.10	X°X' ±2°	DRAWN	Hou_lanxuan	23.06.30				