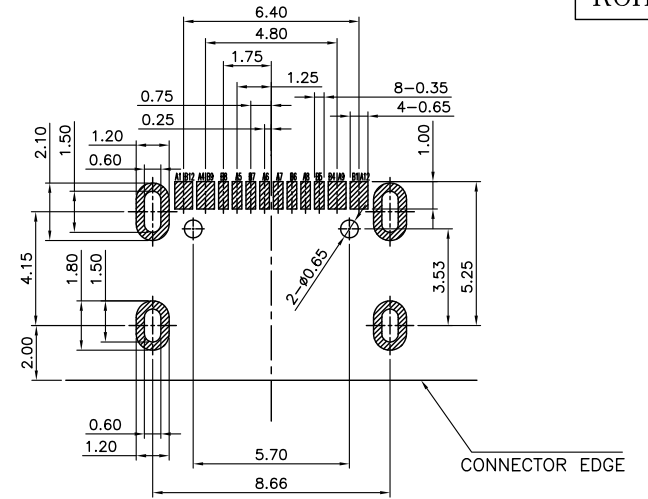
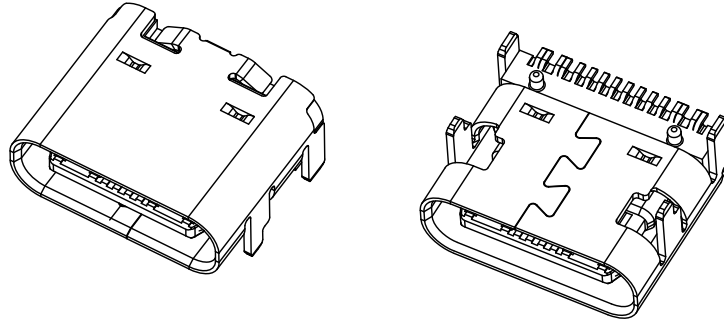
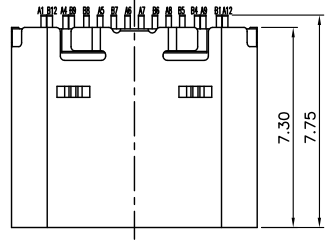
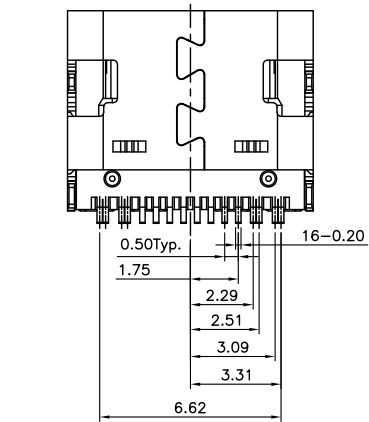
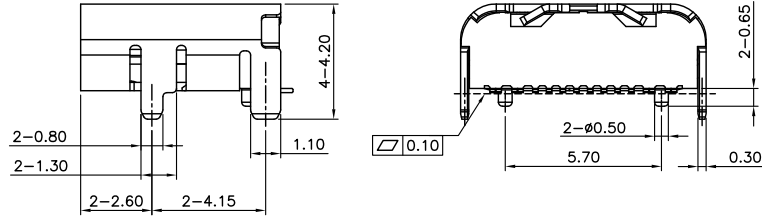
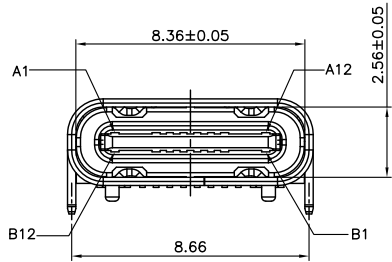


The product using material and processing must conform to the "WI-PZ-001"HSF technical standard control requirements



P.C.B LAYOUT VIEW
TOLERANCE ±0.05

- NOTE:
- MATERIAL SPECIFICATION:
 - HOUSING: HIGH TEMPERATURE RESISTANT PLASTIC, UL94V-0, BLACK
 - CONTACTS: COPPER ALLOY
 - MID PLATE & SPRING: STAINLESS STEEL
 - SHELL: STAINLESS STEEL
 - PLATING SPECIFICATION:
 - CONTACTS: FULL GOLD FLASH UNDER PLATED OVER ALL
 - SHELL: NICKEL UNDER PLATED OVER ALL.
 - MECHANICAL PERFORMANCE:
 - INSERTION FORCE: 0.5~2.0KGF.
 - REMOVAL FORCE: 0.8~2.0KGF.
 - DURABILITY: 10000 CYCLES.
 - ELECTRICAL PERFORMANCE:
 - CURRENT RATING: 3.0A
VOLTAGE RATING: 20V MAX
 - WITHSTANDING VOLTAGE: 100V AC R.M.S.
 - LLCR: VBUS & GND PINS AND OTHER PINS:
40MΩ/PIN MAX, SHIELD: 50MΩ/MAX.
LLCR MAX. CHANGE OF ALL PINS: 10MΩ.
 - INSULATION RESISTANCE: 100MΩ MIN
 - ENVIRONMENTAL PERFORMANCE:
 - OPERATING TEMPERATURE: -40°C~+85°C.



A1	GND	B12	GND
A2		B11	
A3		B10	
A4	VBUS	B9	VBUS
A5	CC1	B8	SBU2
A6	DP1	B7	DN2
A7	DN1	B6	DP2
A8	SBU1	B5	CC5
A9	VBUS	B4	VBUS
A10		B3	
A11		B2	
A12	GND	B1	GND

REV.	REVISION RECORD	DATE	UNITED STATES OF AMERICA	GENERAL TOLERANCES		SCALE:	NAME	DATE	PART NO:	DWG NO:	 WanLian Technology Co., Ltd	
A0	NEW RELEASE	21.01.13		LINEAR	ANGLES	1:1	Wang_jr	21.01.13				WLT2F9-1621A9007
			UNIT:mm	0.00±0.25	X°±3°	DESIGNER	Han_Gao	21.01.13	TITLE: TYPE C 16P/F SMT L=7.3mm		REV: A0	SHEET: 1/2
			SIZE: A4	0.000±0.10	X°X'±2°	DRAWN	Zijun_Huang	21.01.13				