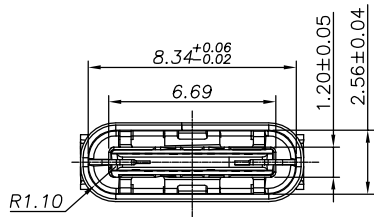
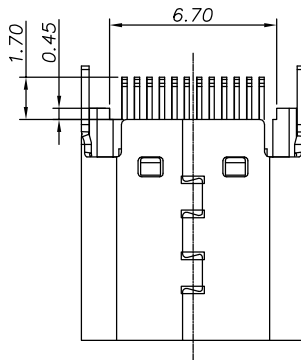
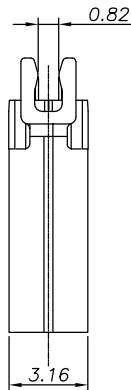
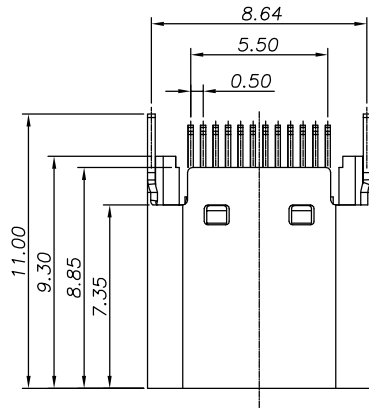
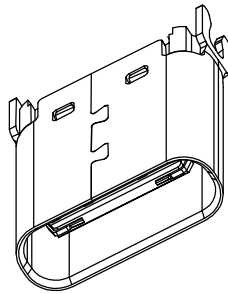
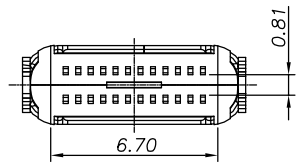


The product using material and processing must conform to the "WL-PZ-001"HSF technical standard control requirements

RoHS



NOTE:

1.MATERIAL SPECIFICATION:

- 1.HOUSING:LCP,UL94 V-0.
- 2.CONTACTS: COPPER ALLOY(C1814)
- 3.MID PLATE: STAINLESS STEEL(SUS301)
- 4.FRONT SHELL: STAINLESS STEEL(SUS304)
- 5.EMI PLATE: STAINLESS STEEL(SUS301)

2.PLATING SPECIFICATION:

2-1.TERMINAL:

Ni 50u" MIN. UNDER PLATED OVER ALL.

Au PLATED ON THE FUNCTIONAL AREA OF CONTACT.

(GOLD PLATING THICKNESS FOLLOW THE P/N)

PLATING SPECIFICATIONS OF THE SOLDER AREA FOLLOW THE P/N

2-2.FRONT SHELL:

PLATING SPECIFICATIONS FOLLOW THE P/N

2-3.EMI PLATE:

NI 50u" MIN PLATED OVER ALL

2-4.MID PLATE:

CLEAR ONLY

3.MECHANICAL PERFORMANCE,

3-1.INSERTION FORCE: 0.5~2.0kgf.

3-2.REMOVAL FORCE: 0.8kgf~2.0kgf.

3-3.DURABILITY: 10000 CYCLES.

4.ELECTRICAL PERFORMANCE,

4-1. CURRENT RATING:5.0A

VOLTAGE RATING:5.0V

4-2. LLCR:

VBUS & GND PINS AND OTHER PINS: 40mΩ/PIN MAX.

SHIELD: 50mΩ/MAX.

LLCR MAX. CHANGE OF ALL PINS: 10mΩ.

4-3.INSULATION RESISTANCE: 100MΩ MIN

4-4.DIELECTRIC WITHSTAND VOLTAGE,AC 100V FOR 1 MINUTE.

5. ENVIRONMENTAL PERFORMANCE:

OPERATING TEMPERATURE: -25°C~+85°C.

6.IR REFLOW:

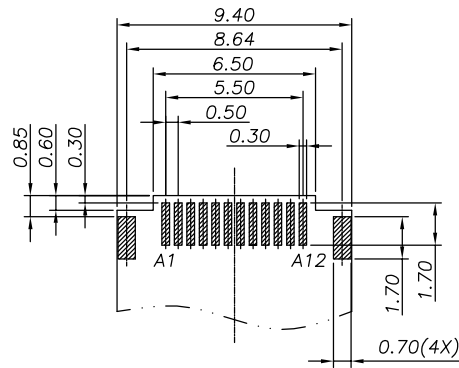
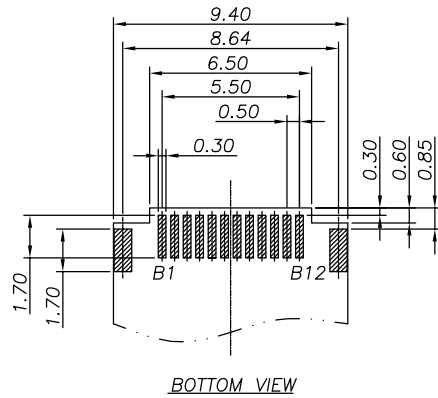
THE PEAK TEMPERATURE ON THE BOARD SHALL

BE MAINTAINED FOR 10 SECONDS AT 260°C.

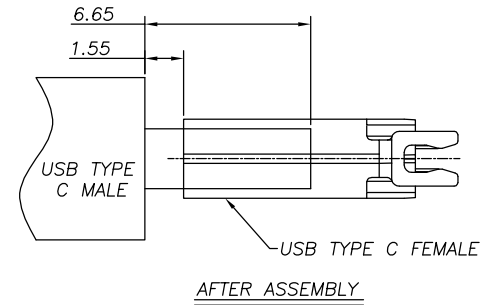
| REV. | REVISION RECORD | DATE | UNIT: mm | GENERAL TOLERANCES | | SCALE: 1:1 | NAME | DATE | PART.NO: | DWG.NO: |  |
|------|-----------------|----------|----------|--------------------|----------|---------------|-------------|----------|----------------------------------------------------|------------------|---------------------------------------------------------------------------------------|
| A0 | NEW RELEASE | 21.11.17 | | SIZE: A4 | LINEAR | ANGLES | APPROVED | Wang_jr | 21.11.17 | WLT4F0-245XX0050 | |
| | | | | 0.00±0.25 | X'±3° | DESIGNER | Han_Gao | 21.11.17 | TITLE: USB C F SPLINT CONN.PCB=0.8mm (L=9.30mm) | | REV: A0 SHEET: 1/3 |
| | | | | 0.000±0.10 | X'X' ±2° | DRAWN | Zijun_Huang | 21.11.17 | | | |

The product using material and processing must conform to the "WL-PZ-001"HSF technical standard control requirements

RoHS



THICKNESS 0.8±0.05MM;DEFAULT TOLERANCE:±0.05



USB TYPE-C PIN ASSIGNMENTS

| PIN NUMBER | SIGNAL NAME | PIN NUMBER | SIGNAL NAME |
|------------|-------------|------------|-------------|
| A1 | GND | B12 | GND |
| A2 | SSTXp1 | B11 | SSRXp1 |
| A3 | SSTXn1 | B10 | SSRXn1 |
| A4 | Vbus | B9 | Vbus |
| A5 | CC1 | B8 | SBU2 |
| A6 | Dp1 | B7 | Dn2 |
| A7 | Dn1 | B6 | Dp2 |
| A8 | SBU1 | B5 | CC2 |
| A9 | Vbus | B4 | Vbus |
| A10 | SSRXn2 | B3 | SSTXn2 |
| A11 | SSRXp2 | B2 | SSTXp2 |
| A12 | GND | B1 | GND |

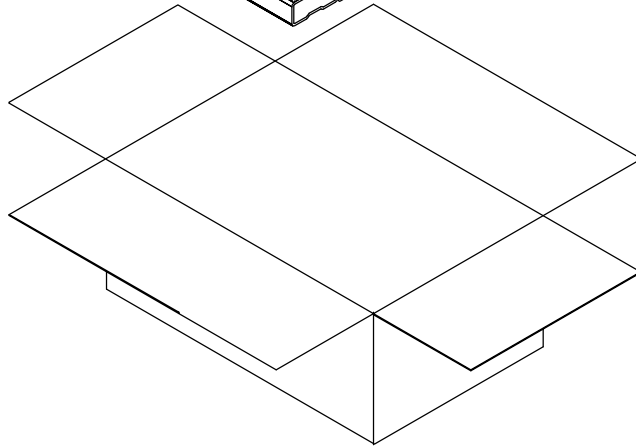
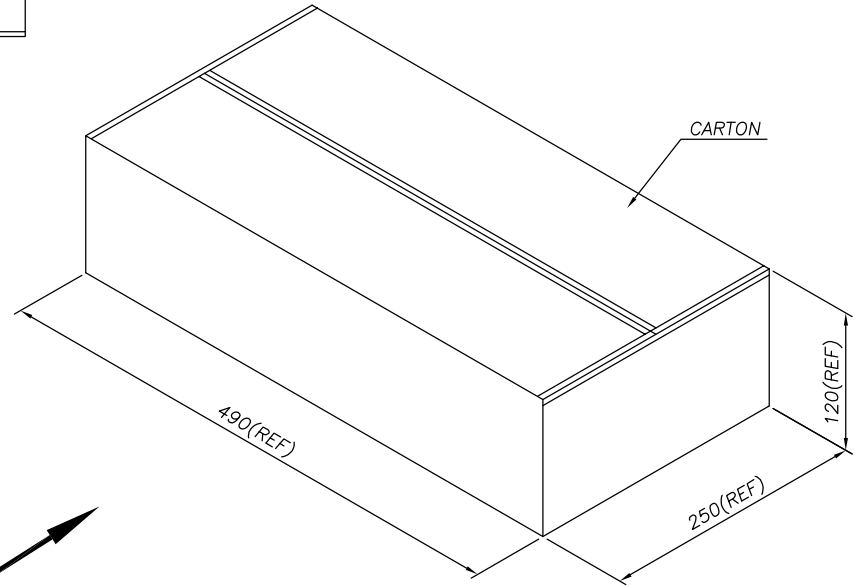
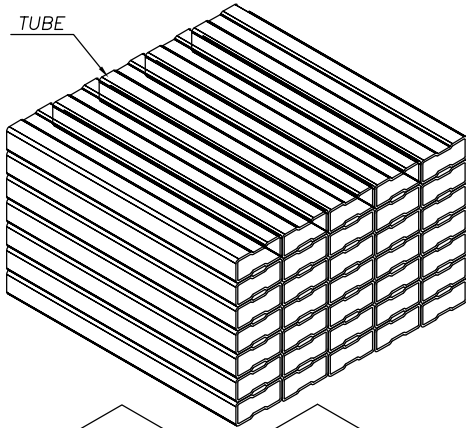
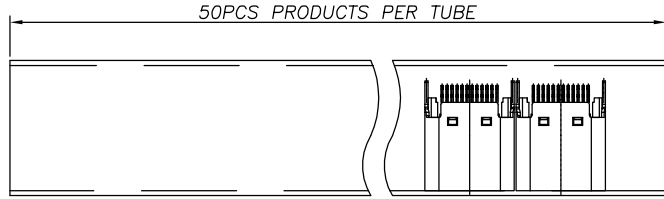
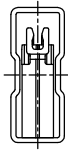
P/N:
WLT4F0-24 5 X X 0 050

Plating Contact ——— COLOR:
1-G/F ——— A-BLACK
2-Au 3u"
3-AU 5u"
5-Au 15u"
6-Au 30u"

| REV. | REVISION RECORD | DATE | GENERAL TOLERANCES | | SCALE: | NAME | DATE | PART.NO: | DWG.NO: |  WanLian Teconology Co., Ltd | |
|------|-----------------|----------|--------------------|-----------|----------|----------|-------------|----------|------------------------------------------|----------------------------------------------------------------------------------------------------------------------|---------|
| A0 | NEW RELEASE | 21.11.17 | LINEAR | ANGLES | 1:1 | APPROVED | Wang_jr | 21.11.17 | WLT4F0-245XX0050 | | ENDE05 |
| | | | 0.0±0.35 | X°REF±6° | | DESIGNER | Han_Gao | 21.11.17 | TITLE: | | |
| | | | 0.00±0.25 | X°±3° | | DRAWN | Zijun_Huang | 21.11.17 | USB C F SPLINT CONN.PCB=0.8mm (L=9.30mm) | | REV: A0 |
| | | | UNIT:mm | 0.00±0.10 | X°X' ±2° | | | | | SHEET: 2/3 | |

The product using material and processing must conform to the "WL-PZ-001"HSF technical standard control requirements

RoHS



| | | |
|-----------------|------|--------|
| | TUBE | CARTON |
| CONNECTOR (PCS) | 50 | 18000 |

| | | | | | | | | | | | |
|------|-----------------|----------|----------|--------------------|----------|---------------|-------------|----------|------------------------------------------|---------|---------------------------------|
| REV. | REVISION RECORD | DATE | | GENERAL TOLERANCES | | SCALE: 1:1 | NAME | DATE | PART.NO: | DWG.NO: | WanLian Teconology Co., Ltd |
| A0 | NEW RELEASE | 21.11.17 | | LINEAR | ANGLES | APPROVED | Wang_jr | 21.11.17 | WLT4F0-245XX0050 | ENDE05 | |
| | | | UNIT:mm | 0.00±0.25 | X'±3° | DESIGNER | Han_Gao | 21.11.17 | TITLE: | | REV: A0 |
| | | | SIZE: A4 | 0.000±0.10 | X'X' ±2° | DRAWN | Zijun_Huang | 21.11.17 | USB C F SPLINT CONN.PCB=0.8mm (L=9.30mm) | | |