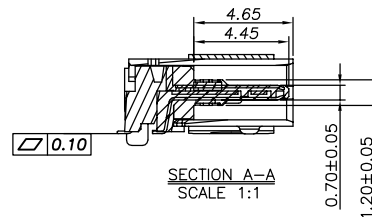
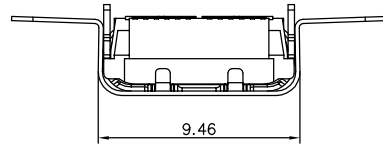
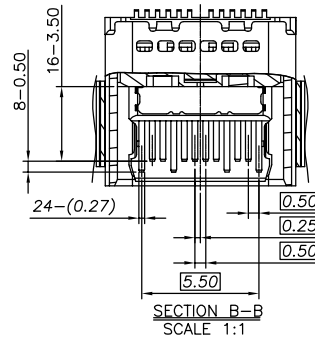
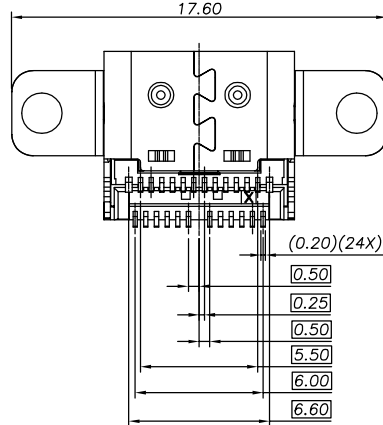
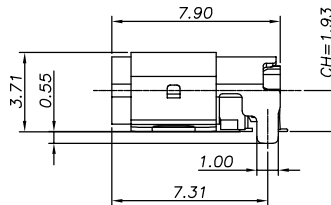
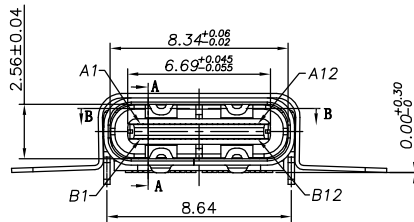
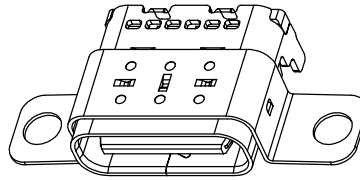
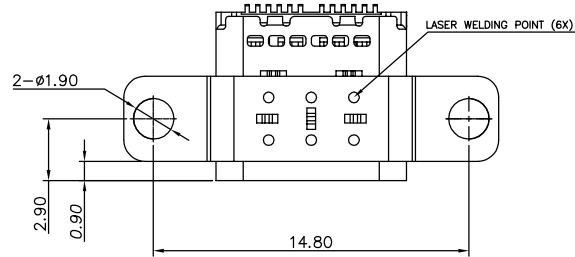


The product using material and processing must conform to the "WL-PZ-001"HSF technical standard control requirements

RoHS



NOTE:

- 1.MATERIAL SPECIFICATION:
 - 1.HOUSING:HIGH TEMPERATURE RESISTANT PLASTIC,UL94 V-0.
 - 2.CONTACTS:COPPER ALLOY
 - 3.MID PLATE: STAINLESS STEEL
 - 4.FRONT SHELL: STAINLESS STEEL
 - 5.EMI PLATE: STAINLESS STEEL
 - 6.TOP SHELL: STAINLESS STEEL
- 2.PLATING SPECIFICATION:
 - 2-1.CONTACTS:
 - Ni 50u" MIN. UNDER PLATED OVER ALL.
 - Au PLATED ON THE FUNCTIONAL AREA OF CONTACT.
 - (GOLD PLATING THICKNESS FOLLOW THE P/N)
 - PLATING SPECIFICATIONS OF THE SOLDER AREA FOLLOW THE P/N
 - 2-2.FRONT SHELL&TOP SHELL:
 - Ni 30u" MIN. UNDER PLATED OVER ALL.
 - 2-3.EMI PLATE:
 - CLEAR ONLY
 - 2-4.MIDDLE PLATE
 - Ni 40u" MIN. UNDER PLATED OVER ALL.
 - TIN 80u" Min PLATED ON SOLDER AREA.
- 3.MECHANICAL PERFORMANCE,
 - 3-1.INSERTION FORCE: 0.5~2.0kgf.
 - 3-2.REMOVAL FORCE: 0.8kgf~2.0kgf.
 - 3-3.DURABILITY: 10000 CYCLES.
- 4.ELECTRICAL PERFORMANCE,
 - 4-1. CURRENT RATING:5.0A
VOLTAGE RATING:5.0V
 - 4-2. LLCR:
 - VBUS & GND PINS AND OTHER PINS: 40mΩ/PIN MAX.
 - SHIELD: 50mΩ/MAX.
 - LLCR MAX. CHANGE OF ALL PINS: 10mΩ.
 - 4-3.INSULATION RESISTANCE: 100MΩ MIN
 - 4-4.DIELECTRIC WITHSTAND VOLTAGE,AC 100V FOR 1 MINUTE.
5. ENVIRONMENTAL PERFORMANCE:
 - OPERATING TEMPERATURE: -25°C~+85°C.
 - THE PEAK TEMPERATURE ON THE BOARD SHALL
- 6.IR REFLOW:
 - BE MAINTAINED FOR 10 SECONDS AT 260°C.
- 7.COPLANARITY OF SMT PINS SOLDER TAIL IS 0.10 MAX.BEFORE REFLOW AND AFTER REFLOW

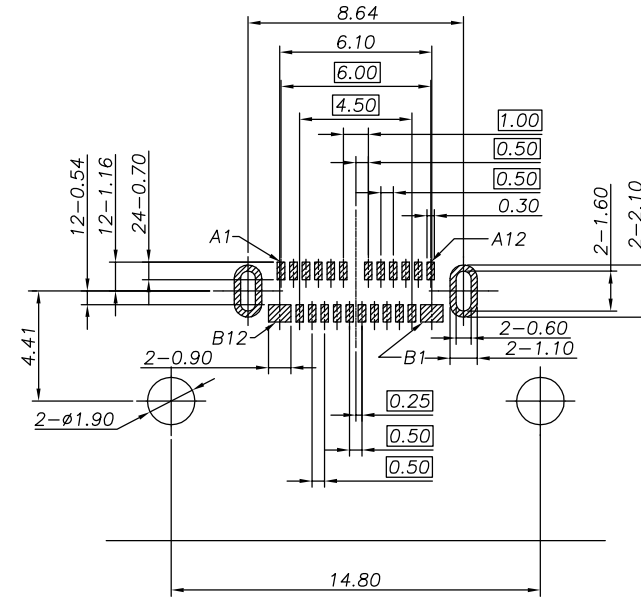
REV.	REVISION RECORD	DATE		GENERAL TOLERANCES		SCALE: 1:1	NAME	DATE	PART.NO:	DWG.NO:	
A0	NEW RELEASE	21.11.17		LINEAR	ANGLES	APPROVED	Wang_jr	21.11.17	WLT4F9-242XX0062	ENDE05	
			UNIT:mm	0.00±0.25	X'±3°	DESIGNER	Han_Gao	21.11.17	TITLE:		REV: A0 SHEET: 1/3
			SIZE: A4	0.000±0.10	X'X' ±2°	DRAWN	Zijun_Huang	21.11.17	TYPE C 24P/F R/A SMT L=7.90mm		

The product using material and processing must conform to the "WL-PZ-001"HSF technical standard control requirements

RoHS

USB TYPE-C PIN ASSIGNMENTS

PIN NUMBER	SIGNAL NAME	PIN NUMBER	SIGNAL NAME
A1	GND	B12	GND
A2	TX1+	B11	RX1+
A3	TX1-	B10	RX1-
A4	VBus	B9	VBus
A5	CC1	B8	SBU2
A6	Dp1	B7	Dn2
A7	Dn1	B6	Dp2
A8	SBU1	B5	CC2
A9	VBus	B4	VBus
A10	RX2-	B3	TX2-
A11	RX2+	B2	TX2+
A12	GND	B1	GND



RECOMMENDED PCB LAYOUT(TOP VIEW)
THICKNESS 0.8MM;DEFAULT TOLERANCE:±0.05

P/N:

WLT4F9-24 2 X X 0 062

Plating Contact

1-G/F

2-Au 3u"

3-AU 5u"

5-Au 15u"

6-Au 30u"

COLOR:

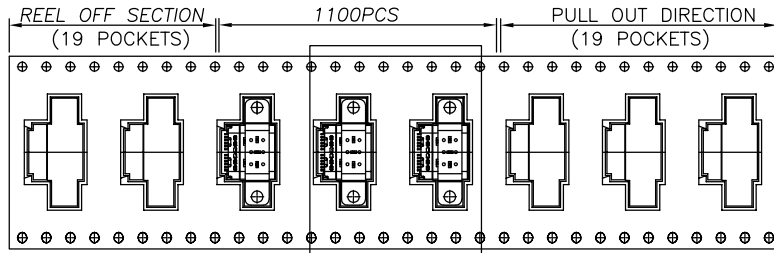
A-BLACK

REV.	REVISION RECORD	DATE	GENERAL TOLERANCES		SCALE:	NAME	DATE	PART.NO:	DWG.NO:
A0	NEW RELEASE	21.11.17	LINEAR	ANGLES	1:1	Wang_jr	21.11.17	WLT4F9-242XX0062	ENDE05
			0.0±0.35	X°REF±6°	APPROVED	Han_Gao	21.11.17	TYPE C 24P/F R/A SMT L=7.90mm	REV: A0 SHEET: 2/3
			0.00±0.25	X°±3°	DESIGNER	Zijun_Huang	21.11.17		
			0.000±0.10	X°X' ±2°	DRAWN				

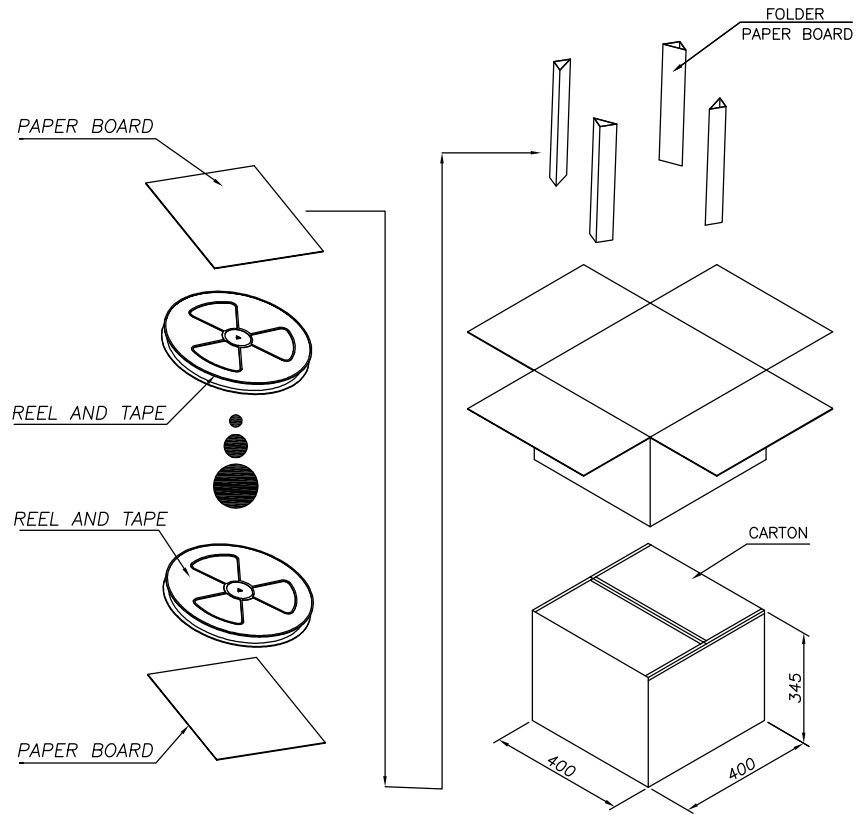
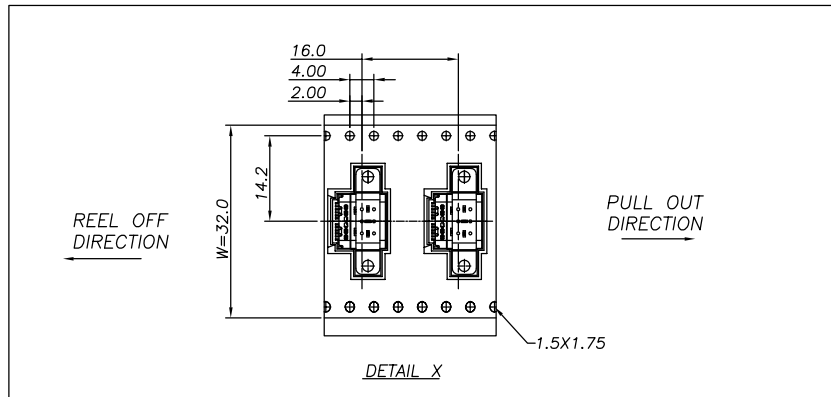
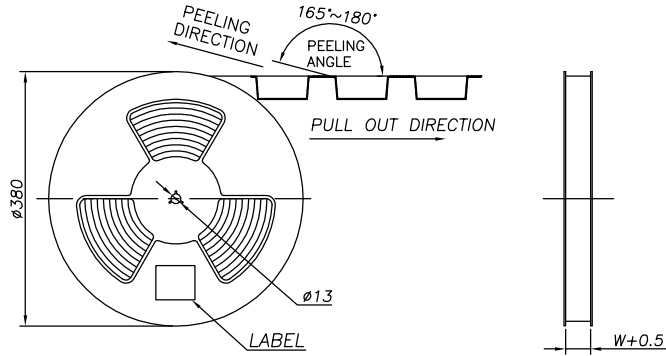


The product using material and processing must conform to the "WL-PZ-001"HSF technical standard control requirements

RoHS



SEE DETAIL X



	REEL	CARTON
CONNECTOR (PCS)	1100	8800

REV.	REVISION RECORD	DATE		GENERAL TOLERANCES		SCALE: 1:1	NAME	DATE	PART.NO:	DWG.NO:	 WanLian Teconology Co., Ltd
A0	NEW RELEASE	21.11.17		LINEAR	ANGLES	APPROVED	Wang_jr	21.11.17	WLT4F9-242XX0062	ENDE05	
			UNIT:mm	0.00±0.25	X'±3°	DESIGNER	Han_Gao	21.11.17	TITLE:		REV: A0
			SIZE: A4	0.000±0.10	X'X' ±2°	DRAWN	Zijun_Huang	21.11.17	TYPE C 24P/F R/A SMT L=7.90mm		