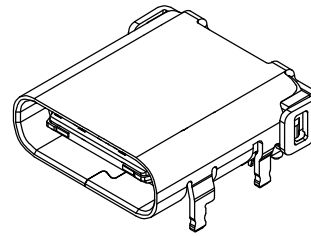
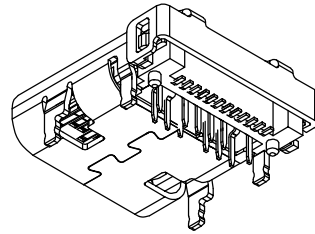
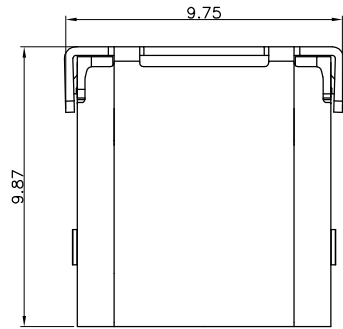


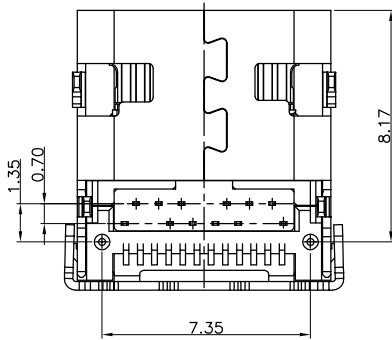
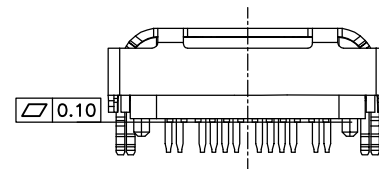
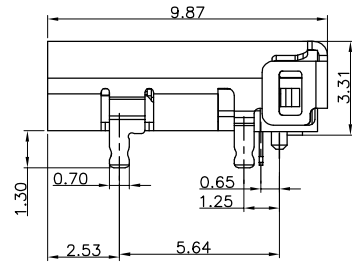
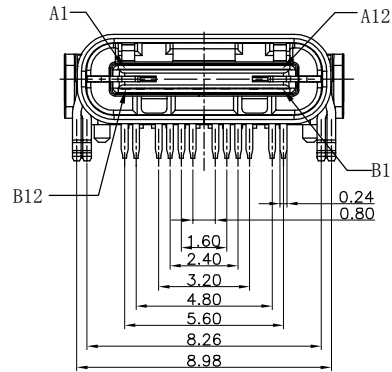
The product using material and processing must conform to the "WL-PZ-001"HSF technical standard control requirements

RoHS



NOTES:
SPECIFICATION:

1. CURRENT RATING: 3.0A MAX
2. VOLTAGE: 100 VAC
3. TEMPERATURE RANGE: -25°C ~ 85°C
4. CONTACT RESISTANCE: 40 MILLIONHM MAX
5. INSULATION RESISTANCE: 100 MEGOHMS MIN.
6. LNSERTION FORCE : 5N~20N
7. UNMATING FORCE: 8N~20N
8. DURABILITY: 10,000 CYCLES

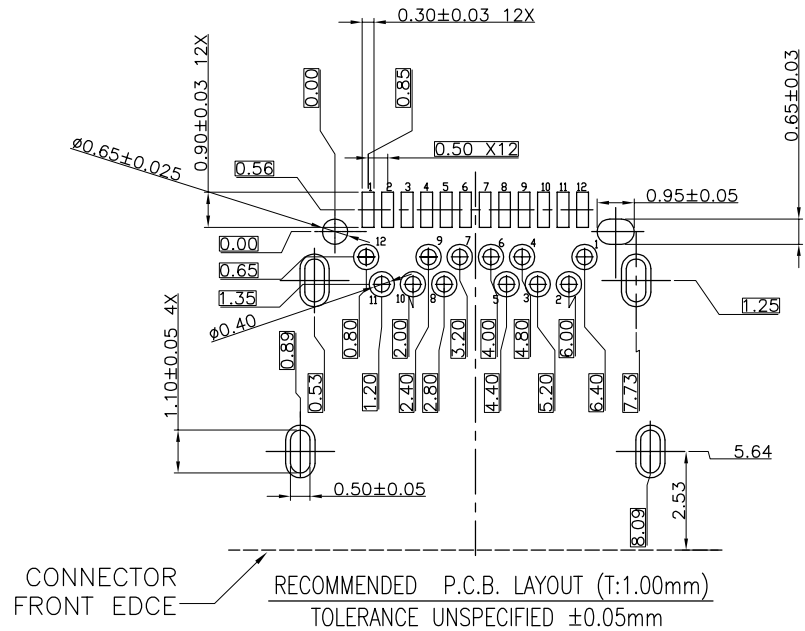


5	SHELL	STAINLESS STEEL	NI Plated	1PCS
4	SPRING	STAINLESS STEEL	---	1PCS
3	SHIELDING PLATE	STAINLESS STEEL	NI Plated	1PCS
2	CONTACT	COPPER ALLOY	Au/Ni Plated	1SET
1	HOUSING	HIGH TEMPERATURE PLASTIC	BLACK	1PCS
NO.	DESCRIPTION	MATERIAL	REMARKS	QTY

REV.	REVISION RECORD	DATE		GENERAL TOLERANCES		SCALE: 1:1	NAME	DATE	PART.NO:	DWG.NO:	
A0	NEW RELEASE	21.11.17		LINEAR	ANGLES	APPROVED	Wang_jr	21.11.17	WLT4F9-243XX0111	ENDE05	
			UNIT:mm	0.00±0.25	X'±3'	DESIGNER	Han_Gao	21.11.17	TITLE:		REV: A0 SHEET: 1/3
			SIZE: A4	0.000±0.10	X*X' ±2'	DRAWN	Zijun_Huang	21.11.17	TYPE C 24P/F R/A DIP+SMT L=9.87mm		

The product using material and processing must conform to the "WL-PZ-001"HSF technical standard control requirements

RoHS



A1	GND	B12	GND
A2	SSTXP1	B11	SSRXP1
A3	SSTXN1	B10	SSRXN1
A4	VBUS	B9	VBUS
A5	CC1	B8	SBU2
A6	DP1	B7	DN2
A7	DN1	B6	DP2
A8	SBU1	B5	CC2
A9	VBUS	B4	VBUS
A10	SSRXN2	B3	SSTXN2
A11	SSRXP2	B2	SSTXP2
A12	GND	B1	GND
PIN	SIGNAL NAME	PIN	SIGNAL NAME

P/N:

WLT4F9-24 3 X X 0 111

Plating Contact

1-G/F

2-Au 3u"

3-AU 5u"

5-Au 15u"

6-Au 30u"

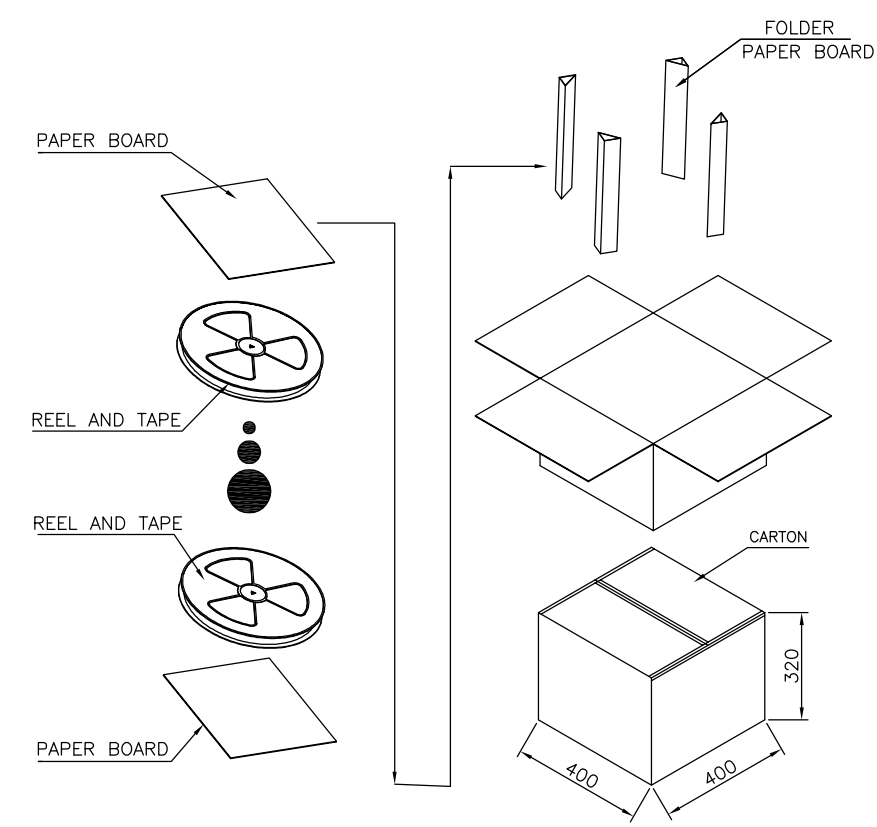
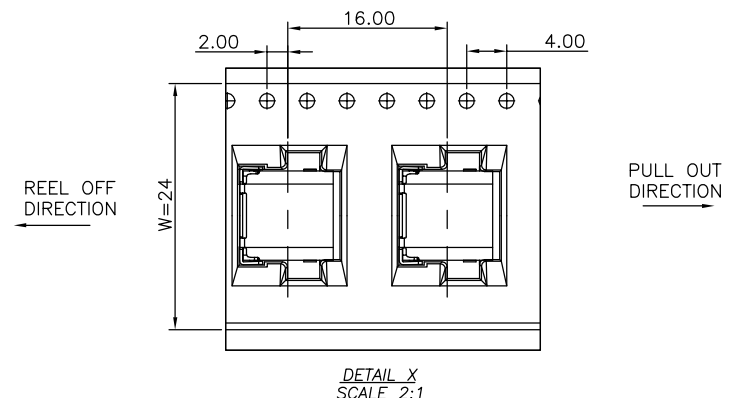
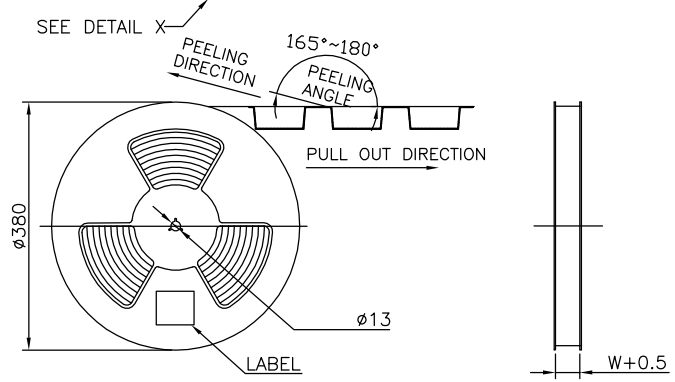
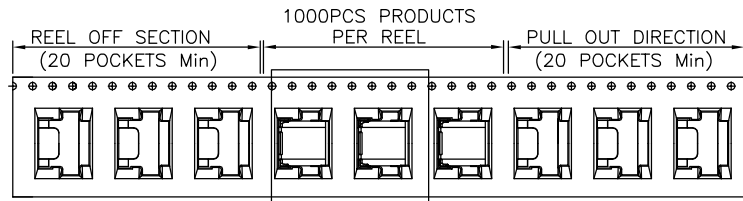
COLOR:

A-BLACK

REV.	REVISION RECORD	DATE	GENERAL TOLERANCES		SCALE:	NAME	DATE	PART.NO:	DWG.NO:	 WanLian Teconology Co., Ltd
A0	NEW RELEASE	21.11.17	LINEAR	ANGLES	1:1	Wang_jr	21.11.17	WLT4F9-243XX0111	ENDE05	
			0.0±0.35	X°REF±6°	APPROVED	Han_Gao	21.11.17	TITLE:		
			0.00±0.25	X°±3°	DESIGNER	Zijun_Huang	21.11.17	TYPE C 24P/F R/A DIP+SMT L=9.87mm		
			UNIT:mm	X°X'±2°	DRAWN			REV: A0	SHEET: 2/3	
			SIZE: A4							

The product using material and processing must conform to the "WL-PZ-001"HSF technical standard control requirements

RoHS



	REEL	CARTON
CONNECTOR (PCS)	1000	10000

REV.	REVISION RECORD	DATE		GENERAL TOLERANCES		SCALE: 1:1	NAME	DATE	PART.NO:	DWG.NO:	 WanLian Teconology Co., Ltd
A0	NEW RELEASE	21.11.17		LINEAR	ANGLES	APPROVED	Wang_jr	21.11.17	WLT4F9-243XX0111	ENDE05	
			UNIT:mm	0.00 ± 0.25	$X^{\circ}\pm 3^{\circ}$	DESIGNER	Han_Gao	21.11.17	TITLE:		REV: A0
			SIZE: A4	0.000 ± 0.10	$X^{\circ}X^{\circ}\pm 2^{\circ}$	DRAWN	Zijun_Huang	21.11.17	TYPE C 24P/F R/A DIP+SMT L=9.87mm		