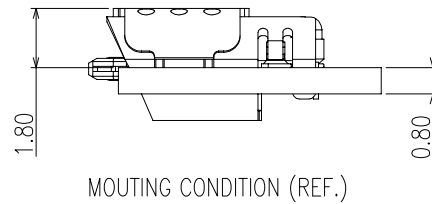
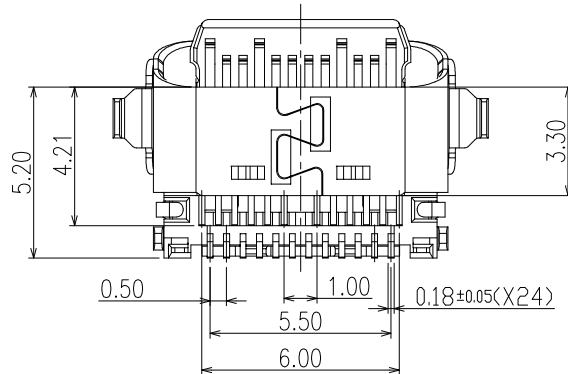
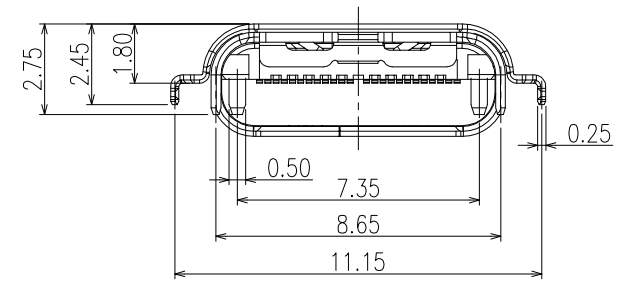
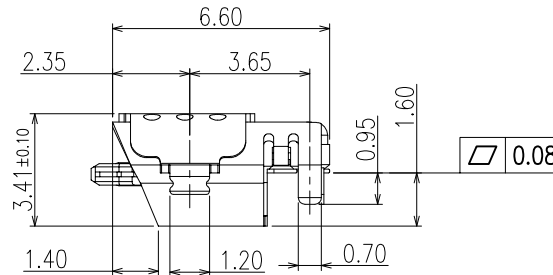
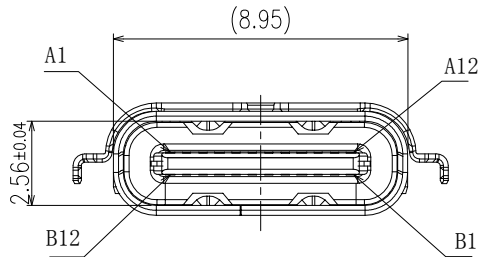
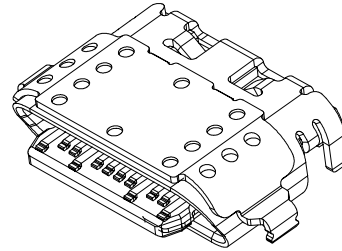
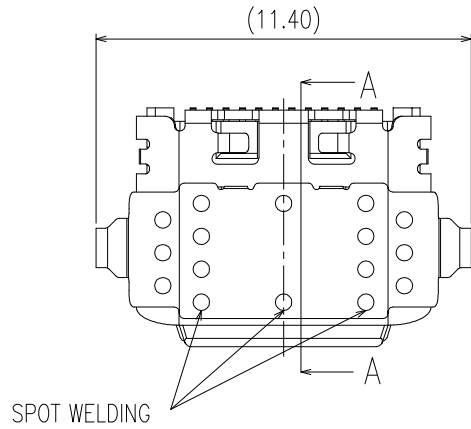


The product using material and processing must conform to the "WL-PZ-001"HSF technical standard control requirements

RoHS

1. PRODUCT SPECIFICATIONS:

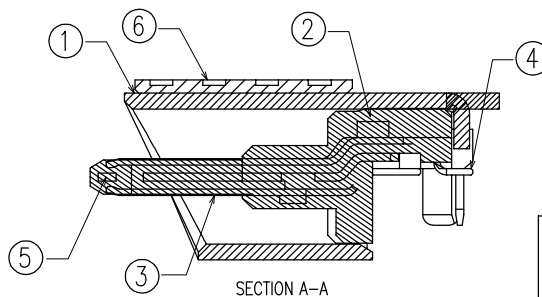
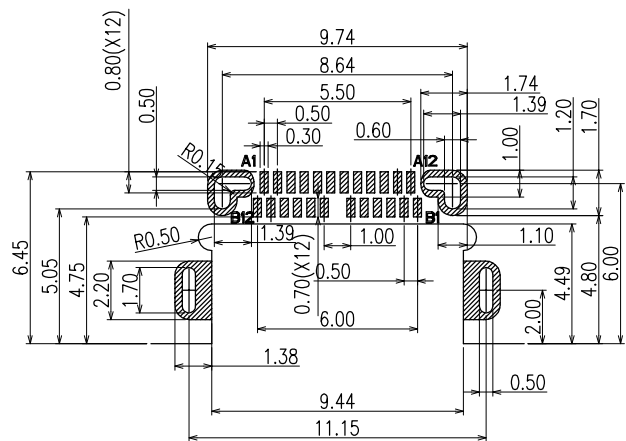
- 1.1. CURRENT RATING: 1.5A/PIN MAX(GND)  
1.25A/PIN MAX(CC),0.25A(OHER PIN)
- 1.2. TEMPERATURE RANGE: -25 °C ~ 85 °C
- 1.3. CONTACT RESISTANCE: 40 MILLIONHM MAX
- 1.4. INSULATION RESISTANCE: 100 MEGOHMS MIN.
- 1.5. DIELECTRIC WITHSTANDING VOLTAGE:100 VAC
- 1.6. LNSERTION FORCE : 5N~20N
- 1.7. UNMATING FORCE:Initial:8N~20N;durability:6N~20N
- 1.8. DURABILITY: 10,000 CYCLES



REV.	REVISION RECORD	DATE	UNIT:mm	GENERAL TOLERANCES		SCALE: 1:1	NAME	DATE	PART.NO:	DWG.NO:	 WanLian Teconology Co., Ltd
A0	NEW RELEASE	21.11.17		SIZE: A4	LINEAR 0.0±0.35	ANGLES X°REF±6°	APPROVED	Wang_jr	21.11.17	WL4F9-248XX0110	
				0.00±0.25	X°±3°	DESIGNER	Han_Gao	21.11.17	TITLE: TYPE C 24P/F R/A SMT L=6.60mm		REV: A0
				0.000±0.10	X°X' ±2°	DRAWN	Zijun_Huang	21.11.17			

The product using material and processing must conform to the "WL-PZ-001"HSF technical standard control requirements

RoHS



RECOMMENDED P.C.B. LAYOUT (THICKNESS:0.80MM)  
TOLERANCE UNSPECIFIED ±0.05mm

PIN ASSIGNMENT

pin	Signal name	pin	Signal name	pin	Signal name	pin	Signal name
A1	GND	B12	GND	A7	Dn1	B6	Dp2
A2	SSTXp1	B11	SSRXp1	A8	SBU1	B5	CC2
A3	SSTXn1	B10	SSRXn1	A9	VBUS	B4	VBUS
A4	VBUS	B9	VBUS	A10	SSRXn2	B3	SSTXn2
A5	CC1	B8	SBU2	A11	SSRXp2	B2	SSTXP2
A6	Dp1	B7	Dn2	A12	GND	B1	GND

P/N:  
WLT4F9-24 8 X X 0 110

Plating Contact      COLOR:  
1-G/F                      A-BLACK  
2-Au 3u"  
3-AU 5u"  
5-Au 15u"  
6-Au 30u"

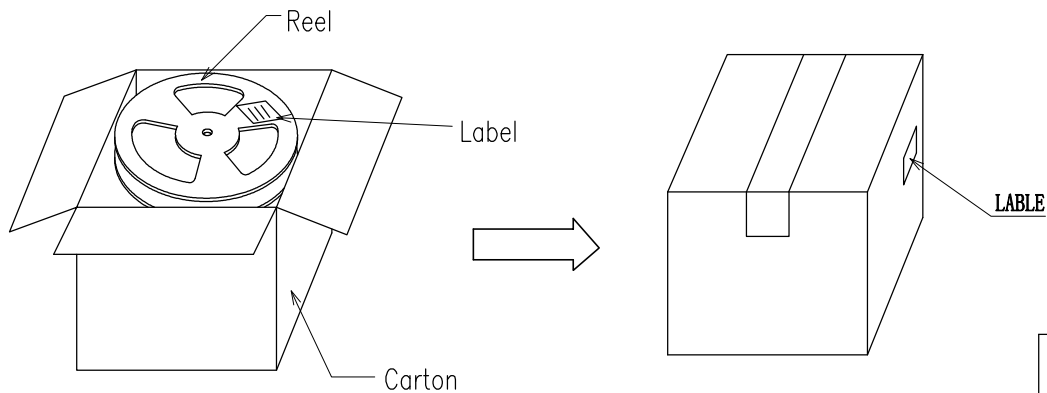
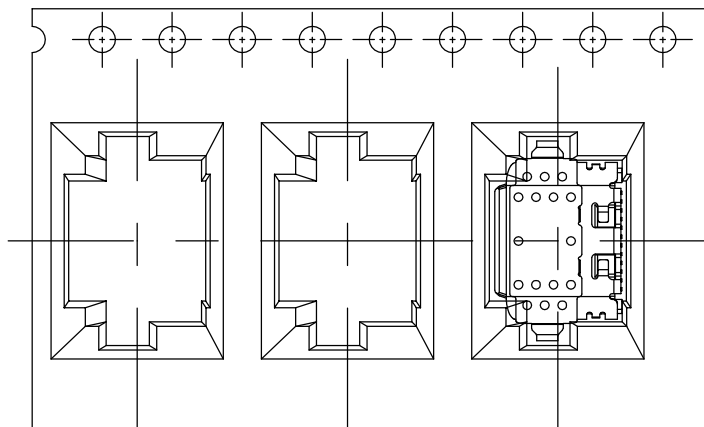
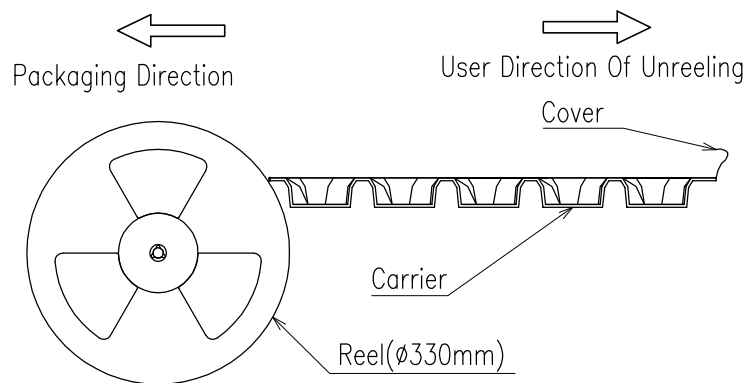
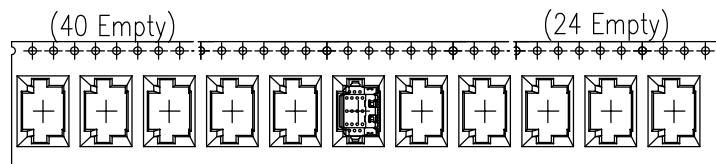
6	SHELL-2	1PCS	STAINLESS STEEL	50u" MIN. Ni UNDERPLATING OVERALL
5	MID PLATE	1PCS	STAINLESS STEEL	50u" MIN. Ni UNDERPLATING OVERALL
4	CONTACT B	1SET	COPPER ALLOY	Au PLATING ON CONTACT AREA,THICKNESS SEE P/N Au 1~3u" PLATING ON SOLDER AREA 50u" MIN. NICKEL UNDER PLATING ALL OVER
3	CONTACT A	1SET	COPPER ALLOY	
2	HOUSING	1PCS	NYLON	COLOR:BLACK
1	SHELL-1	1PCS	STAINLESS STEEL	50u" MIN. Ni UNDERPLATING OVERALL
NO.	DESCRIPTION	QTY.	MATERIAL	FINISH

REV.	REVISION RECORD	DATE	GENERAL TOLERANCES		SCALE: 1:1	NAME	DATE	PART.NO:	DWG.NO:
A0	NEW RELEASE	21.11.17	LINEAR	ANGLES	APPROVED	Wang_jr	21.11.17	WLT4F9-248XX0110	ENDE05
			0.0±0.35	X°REF±6°	DESIGNER	Han_Gao	21.11.17	TITLE: TYPE C 24P/F R/A SMT L=6.60mm	 WanLian Teconology Co., Ltd
			0.00±0.25	X°±3°	DRAWN	Zijun_Huang	21.11.17		
			UNIT:mm	0.00±0.10					
			SIZE: A4	X°X' ±2°					

The product using material and processing must conform to the "WL-PZ-001"HSF technical standard control requirements

RoHS

Reel off direction Pull out direction



PCS/ REEL	REEL/CARTON	QTY/CARTON	CARTON SIZE/MM
1400	10 REEL	14000 PCS	340*340*300

REV.	REVISION RECORD	DATE		GENERAL TOLERANCES		SCALE: 1:1	NAME	DATE	PART.NO:	DWG.NO:	
A0	NEW RELEASE	21.11.17		LINEAR	ANGLES	APPROVED	Wang_jr	21.11.17	WLT4F9-248XX0110	ENDE05	
			UNIT:mm	0.00±0.25	X°±3°	DESIGNER	Han_Gao	21.11.17	TITLE: TYPE C 24P/F R/A SMT L=6.60mm		REV: A0      SHEET: 3/3
			SIZE: A4	0.000±0.10	X°X' ±2°	DRAWN	Zijun_Huang	21.11.17			