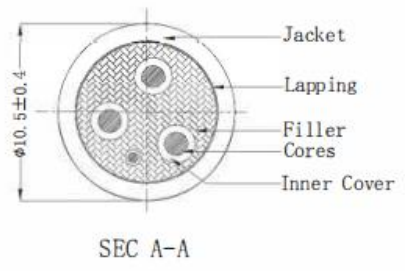
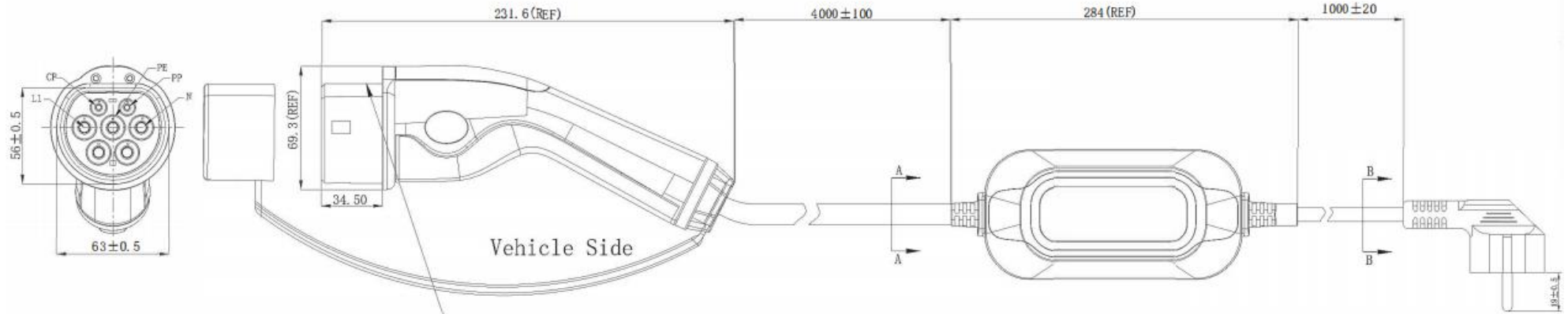
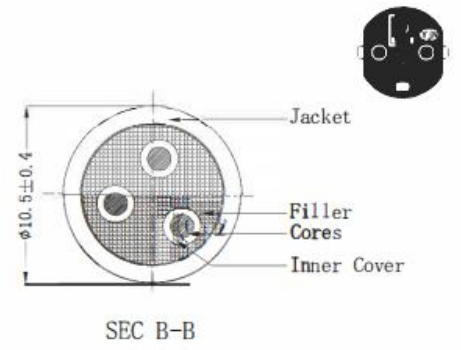
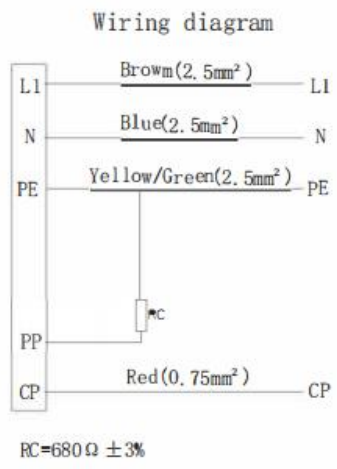


The product using material and processing must conform to the "WI-PZ-001"HSF technical standard control requirements


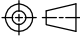


**Laser Printing Front Note:**  
 WL3-YWAC-M2-16AIEC-LH5-1-198  
 16A 250V AC  
 IEC 62196-2: 2016  
 IP55  
 201XXXXX-XXXX



Technical parameters	
Rated voltage	250V AC
Rated current	16A
Temperature range	-30℃~+50℃
Insulate resistance	>500MΩ, 500V DC 1Min
Withstanding voltage	L、N AND PE,2500V AC 1Min
	L AND N, 2500V AC 1Min
Ingress protection	IP55
The insertion/pullout times	10000 TIMES
Insertion/pullout force	<100N
Reference standard	IEC 62196. 1-2014, IEC 62196. 2-2016

**NOTES:**  
 1. Cable: EN50620-2017, IEC62893.3 EV 3\*2.5+1\*0.75mm<sup>2</sup> Black  
 2. Secondary side length: 3\*2.5mm<sup>2</sup> Black  
 3. RoHS Compliance

REV.	REVISION RECORD	DATE	GENERAL TOLERANCES		SCALE:	NAME	DATE	PART.NO:	DWG.NO:	 WanLian Teconology Co., Ltd
A0	NEW RELEASE	21.10.12	 LINEAR 0.0±0.35	ANGLES X°REF±6°	1:1	Wang_jr	21.10.12	WL3-YWAC-M2-16AIEC-LH5-1-198	ENDE05	
					UNIT:mm	X°±3°	APPROVED	Han_Gao	21.10.12	
			SIZE: A4	X°X' ±2°	DESIGNER	LongCan_Liu	21.10.12	REV: A0 SHEET: 1/1		