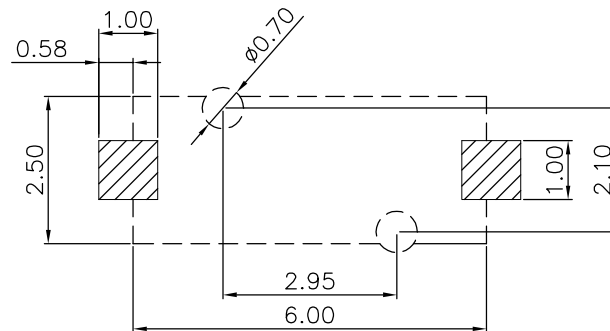
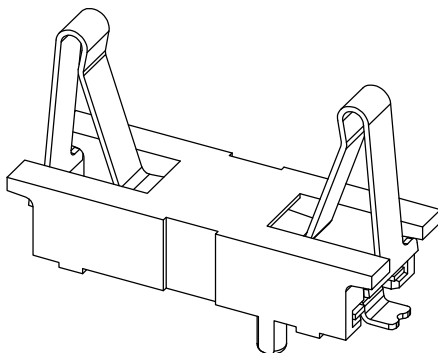
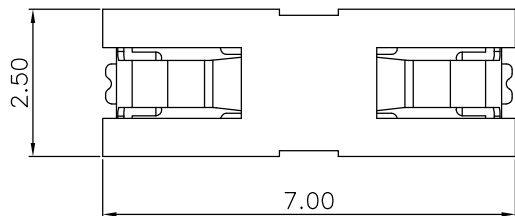


The product using material and processing must conform to the "WI-PZ-001"HSF technical standard control requirements

RoHS



RECOMMENDED PCB LAYOUT

TOLERANCE: ±0.05

NOTE:

1.MATERIAL SPECIFICATION:

1-1.HOUSING:HIGH TEMPRATURE ,UL 94V-0
1-2.CONTACTS:C5210.

2.PLATING SPECIFICATION:

2-1.CONTACTS:

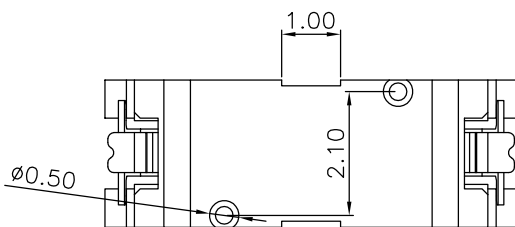
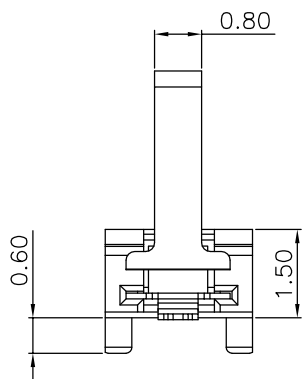
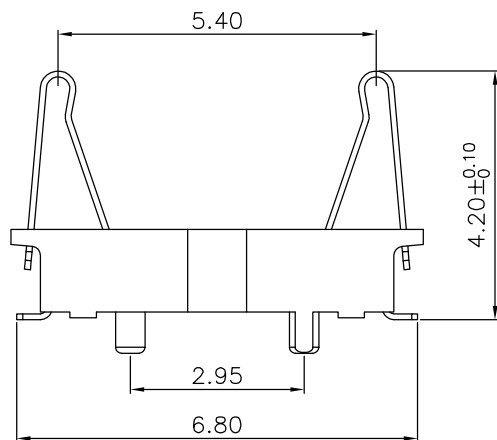
Ni 50u" MIN. UNDER PLATED OVER ALL.
Au PLATED ON THE FUNCTIONAL AREA OF CONTACT.

3.ELECTRICAL PERFORMANCE:

3-1.CURRENT RATING:0.5A
3-2.VOLTAGE RATING:30V MAX
3-3.CONTACT RESISTANCE: 30m Ohm MAX.
3-4.INSULATION RESISTANCE: 100MΩ MIN
3-5.DIELECTRIC WITHSTANDING VOLTAGE: 500V AC MIN.

4.ENVIRONMENTAL PERFORMANCE:

OPERATING TEMPERATURE: -20°C~+85°C.



WLBTF0-02 2 X X 0 009

PLATING:

1-G/F
2-AU 3U"
5-AU 15U"
6-AU 30U"

COLOUR:
K:White

REV.	REVISION RECORD	DATE		GENERAL TOLERANCES		SCALE: 1:1	NAME	DATE	PART.NO: WLBTF0-022XX0009	DWG.NO: ENDE05	
AO	NEW RELEASE	21.01.13		LINEAR	ANGLES	APPROVED	Wang_jr	21.01.13			
			UNIT:mm	0.00±0.25	X'±3'	DESIGNER	Ding_bo	21.01.13	TITLE: 3代 2P BATTERY PH5.4 (H4.3)有柱		
			SIZE: A4	0.000±0.10	X'X' ±2'	DRAWN	Ou_jian	21.01.13			