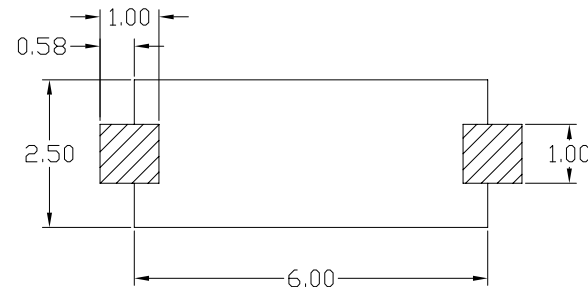
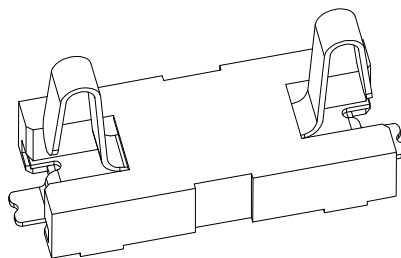
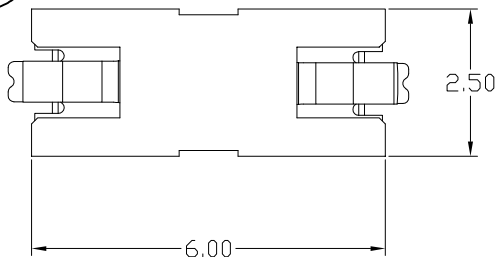


The product using material and processing must conform to the "WI-PZ-001"HSF technical standard control requirements

RoHS



RECOMMENDED PCB LAYOUT

TOLERANCE: ±0.05

NOTE:

1.MATERIAL SPECIFICATION:

1-1.HOUSING:HIGH TEMPRATURE ,UL 94V-0,  
1-2.CONTACTS:COPPER ALLOY.

2.PLATING SPECIFICATION:

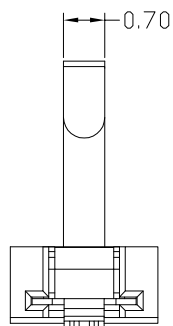
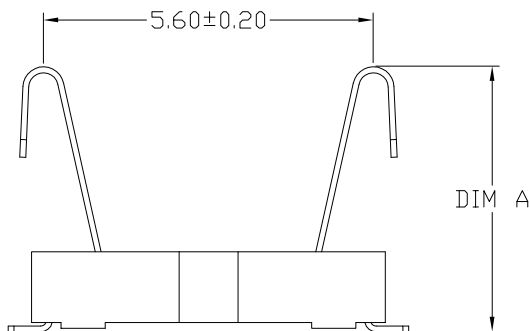
2-1.CONTACT: G/F PLATING ON SOLDERTAILS  
50u"MIN.Ni UNDERPLATING

3.ELECTRICAL PERFORMANCE:

3-1.CURRENT RATING:0.5A  
3-2.VOLTAGE RATING:12V  
3-3.CONTACT RESISTANCE: 30m Ohm MAX.  
3-4.INSULATION RESISTANCE: 100MΩ MIN  
3-5.DIELECTRIC WITHSTANDING VOLTAGE: 500V AC MIN.

4.ENVIRONMENTAL PERFORMANCE:

OPERATING TEMPERATURE: -20°C~+85°C.



WLBTF0-02 2 X X X 008

PLATING:

1-G/F

2-AU 3U"

5-AU 15U"

6-AU 30U"

1:DIN A=2.80

2:DIN A=3.20

3:DIN A=3.60

4:DIN A=3.80

5:DIN A=4.50

COLOUR:

K:White

REV.	REVISION RECORD	DATE		GENERAL TOLERANCES		SCALE: 1:1	NAME	DATE	PART.NO: WLBTF0-022XXX008	DWG.NO: ENDE05	
AO	NEW RELEASE	21.01.13		LINEAR	ANGLES	APPROVED	Wang_jr	21.01.13			
			UNIT:mm	0.00±0.25	X'±3'	DESIGNER	Ding_bo	21.01.13	TITLE: 2代2P BATTERY PH5.6 (H2.8~4.5)		
			SIZE: A4	0.000±0.10	X'X' ±2'	DRAWN	Ou_jian	21.01.13			