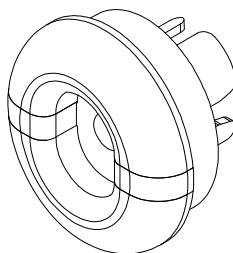
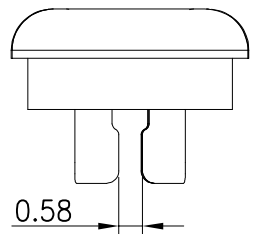
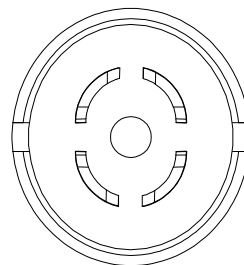
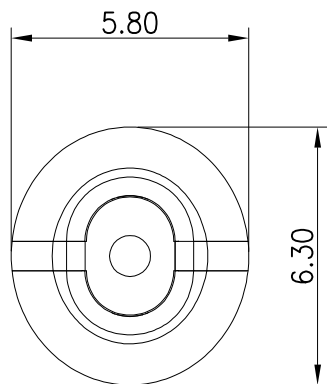
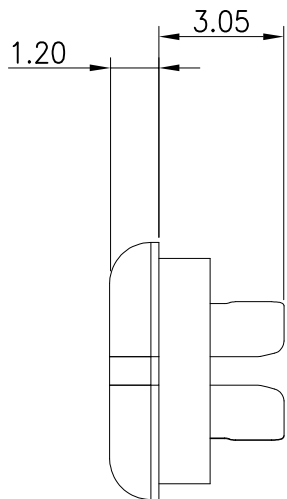
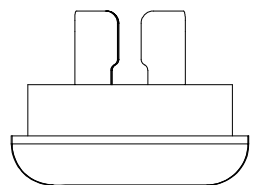


The product using material and processing must conform to the "WI-PZ-001"HSF technical standard control requirements

RoHS



NOTE:

1.MATERIAL SPECIFICATION:

- 1-1.HOUSING:HIGH TEMPRATURE THERMOPLASTIC,UL 94V-0
- 1-2.CONTACTS:COPPER ALLOY.

2.PLATING SPECIFICATION:

- 2-1.CONTACTS:
- CONTACT: NI PLATING

3.ELECTRICAL PERFORMANCE:

- 3-1.CURRENT RATING:0.5A
- 3-2.VOLTAGE RATING:12V MAX
- 3-3.CONTACT RESISTANCE: 30m Ohm MAX.
- 3-4.INSULATION RESISTANCE: 100MΩ MIN
- 3-5.DIELECTRIC WITHSTANDING VOLTAGE: 500V AC MIN.

4.ENVIRONMENTAL PERFORMANCE:

- OPERATING TEMPERATURE: -20°C~+85°C.

WLBTF0-02 5 X X 0 002

PLATING:  
7-Sn

COLOUR:  
K:White

REV.	REVISION RECORD	DATE		GENERAL TOLERANCES		SCALE: 1:1	NAME	DATE	PART.NO: WLBTF0-025XX0002	DWG.NO: ENDE05	 WanLian Teconology Co., Ltd	
AO	NEW RELEASE	21.01.13		LINEAR	ANGLES	APPROVED	Wang_jr	21.01.13				
			UNIT:mm	0.00±0.25	X'±3'	DESIGNER	Ding_bo	21.01.13	TITLE: 2代卡板式尾塞			REV: A0 SHEET: 1/1
			SIZE: A4	0.000±0.10	X'X' ±2'	DRAWN	Ou_jian	21.01.13				