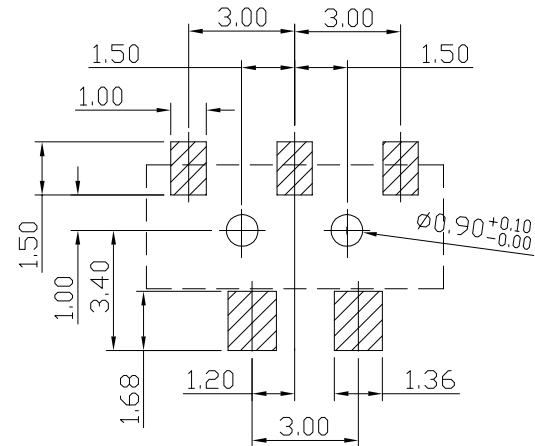
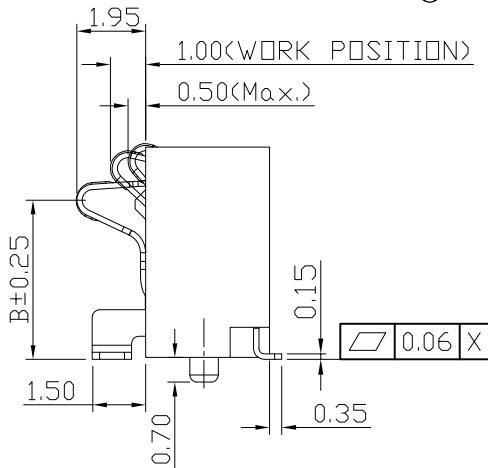
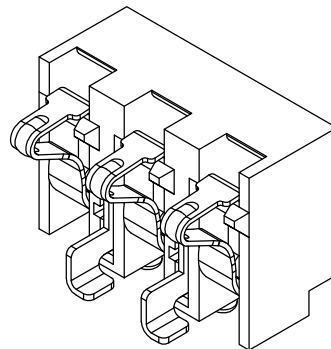
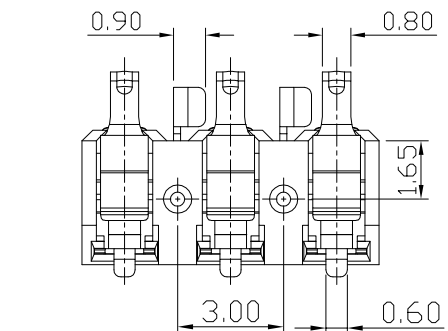
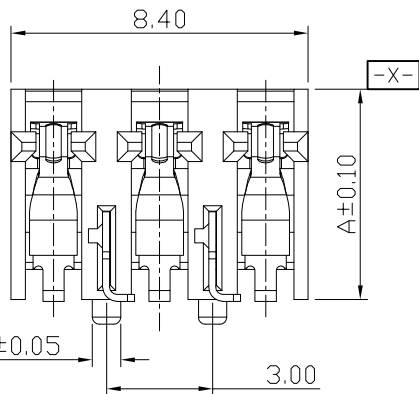
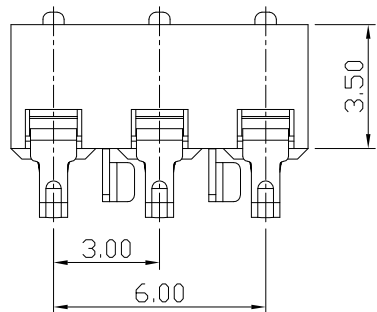


The product using material and processing must conform to the "WI-PZ-001"HSF technical standard control requirements

RoHS




RECOMMENDED PCB LAYOUT
TOLERANCE ± 0.05

NOTE:

- 1.MATERIAL SPECIFICATION:
 1-1.HOUSING:HIGH TEMPERATURE THERMOPLASTIC,UL 94V-0
 1-2.CONTACTS:COPPER ALLOY.
 1-3.STATOR: COPPER ALLOY.
 2.ELECTRICAL PERFORMANCE:
 2-1.CURRENT RATING:1.0A
 2-2.VOLTAGE RATING:12V DC
 2-3.CONTACT RESISTANCE: 30m Ohm MAX.
 2-4.INSULATION RESISTANCE: 100M MIN
 2-5.DIELECTRIC WITHSTANDING VOLTAGE: 250V AC MIN.
 3.ENVIRONMENTAL PERFORMANCE:
 OPERATING TEMPERATURE: $-20^{\circ}\text{C}\sim+85^{\circ}\text{C}$.

WLBTF9-03 2 X X X 006

PLATING: —
 1-G/F
 2-AU 3U"
 5-AU 15U"
 6-AU 30U"
 COLOUR:
 A:Black

REV.	REVISION RECORD	DATE	UNIT:mm	GENERAL TOLERANCES		SCALE: 1:1	NAME	DATE	PART.NO:	DWG.NO:	 WanLian Teconology Co., Ltd
A0	NEW RELEASE	21.01.13		SIZE: A4	LINEAR	ANGLES	APPROVED	Wang_jr	21.01.13	WLBTF9-032XXX006	
			0.0±0.35		X'REF±6'	DESIGNER	Ding_bo	21.01.13	TITLE:		
				0.00±0.25	X'±3'	DRAWN	Ou_jian	21.01.13	外焊式电池座 PH3.0 有柱 (5.4H~6.0H)		REV: A0 SHEET: 1/1
				0.000±0.10	X'X' ±2'						