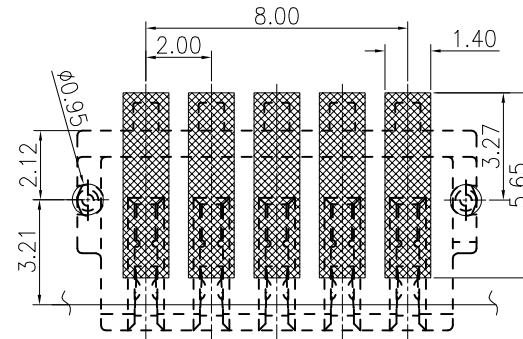
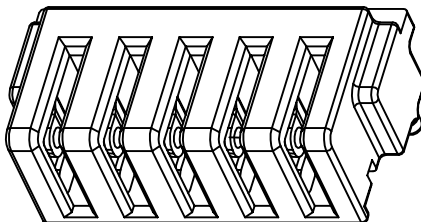
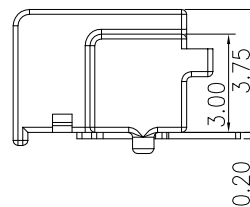
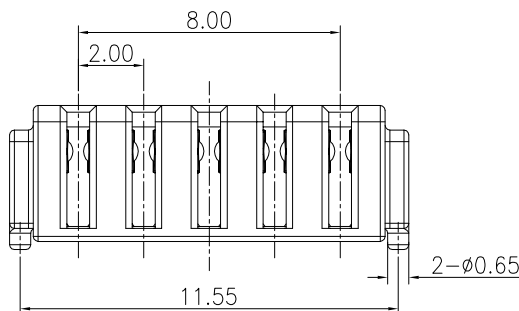
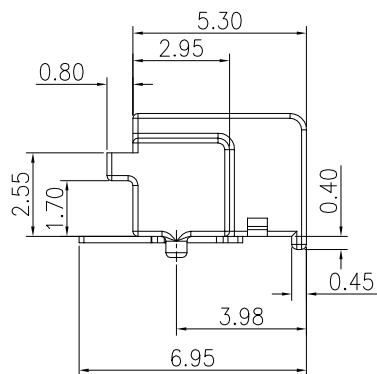
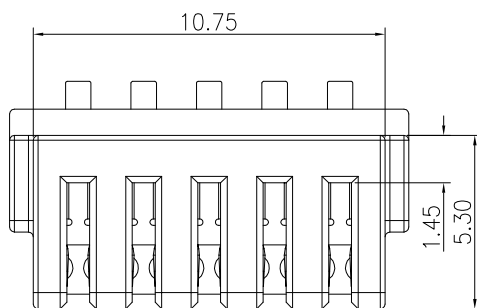


The product using material and processing must conform to the "WI-PZ-001"HSF technical standard control requirements

RoHS



RECOMMENDED PCB LAYOUT  
TOLERANCE:  $\pm 0.05$



NOTE:

1.MATERIAL:

- 1-1 HOUSING:THERMOPLASTIC, UL94 V-0 COLOR:BLACK
- 1-2CONTACT:COPPER ALLOY T=0.50mm

2.FINISH:

- CONTACT: 1u" GOLD PLATING ON CONTACT AREA
- G/F PLATING ON SOLDERTAILS
- 50u" MIN.NICKEL UNDERPLATING OVER ALL

3.ELECTRICAL PERFORMANCE:

- 3-1.CURRENT RATING:0.5A
- 3-2.VOLTAGE RATING:30V MAX
- 3-3.CONTACT RESISTANCE: 30m Ohm MAX.
- 3-4.INSULATION RESISTANCE: 100M $\Omega$  MIN 100V DC
- 3-5.DIELECTRIC WITHSTANDING VOLTAGE: 500V AC MIN.

4.ENVIRONMENTAL PERFORMANCE:

OPERATING TEMPERATURE:  $-20^{\circ}\text{C}\sim+85^{\circ}\text{C}$ .

WLBT9-05 2 X X 0 011

PLATING:   
 1-G/F   
 2-AU 3U"   
 5-AU 15U"   
 6-AU 30U"   
 COLOUR:   
 A:Black

REV.	REVISION RECORD	DATE		GENERAL TOLERANCES		SCALE:	NAME	DATE	PART.NO:	DWG.NO:	
AO	NEW RELEASE	21.01.13		LINEAR	ANGLES	1:1					
			UNIT:mm	0.00 $\pm$ 0.25	X' $\pm$ 3'		Ding_bo	21.01.13	TITLE: BATTERY 5P 2.0PH 3.9H CONN		
			SIZE: A4	0.000 $\pm$ 0.10	X'X' $\pm$ 2'		Ou_jian	21.01.13		REV: A0	