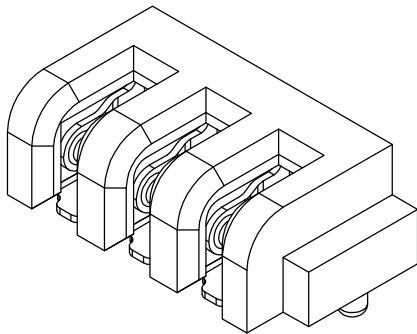
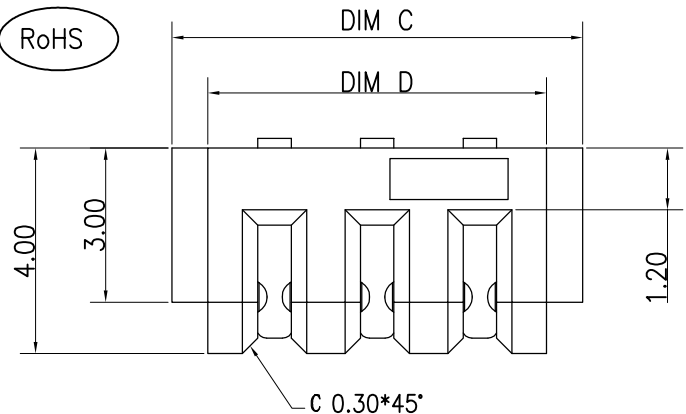
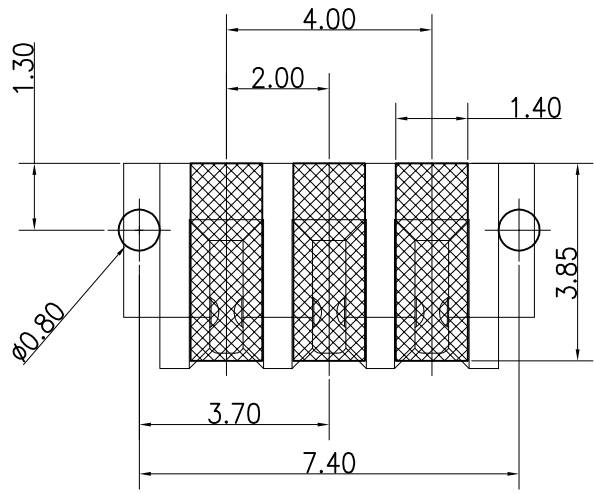


The product using material and processing must conform to the "WI-PZ-001"HSF technical standard control requirements

RoHS



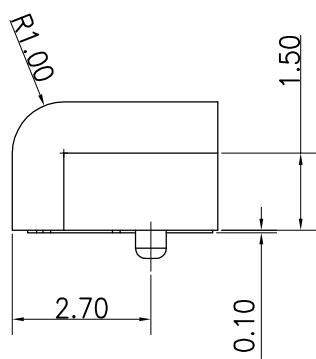
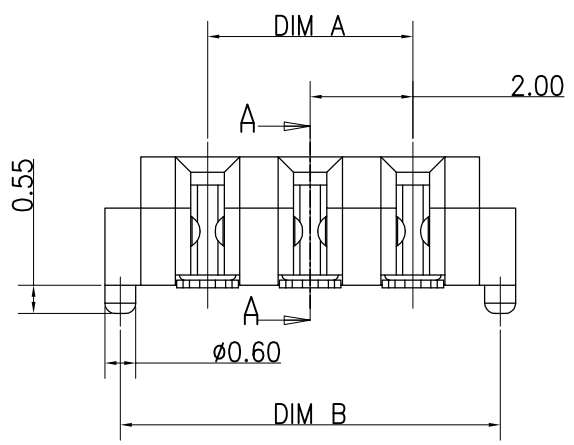
3D VIEW



RECOMMENDED PCB LAYOUT

TOLERANCE: ±0.05

- NOTE:
- MATERIAL SPECIFICATION:
 - 1-1.HOUSING:HIGH TEMPRATURE THERMOPLASTIC,UL 94V-0
 - 1-2.CONTACTS:COPPER ALLOY.
 - 1-3.STATOR: COPPER ALLOY.
 - PLATING SPECIFICATION:
 - 2-1.CONTACTS: CONTACT: NI UNDERPLATING OVER ALL GOLD FLASH ON CONTACT AREA
 - ELECTRICAL PERFORMANCE:
 - 3-1.CURRENT RATING:0.5A
 - 3-2.VOLTAGE RATING:12V MAX
 - 3-3.CONTACT RESISTANCE: 30m Ohm MAX.
 - 3-4.INSULATION RESISTANCE: 100MΩ MIN
 - 3-5.DIELECTRIC WITHSTANDING VOLTAGE: 500V AC MIN.
 - ENVIRONMENTAL PERFORMANCE:
 - OPERATING TEMPERATURE: -20°C~+85°C.



WLBTf9-XX 2 X X 0 001
 SEE POST P/N: _____ COLOUR: A:Black
 PLATING:
 1-G/F
 2-AU 3U"
 5-AU 15U"
 6-AU 30U"

08	14.00	17.40	18.00	16.60
07	12.00	15.40	16.00	14.60
06	10.00	13.40	14.00	12.60
05	8.00	11.40	12.00	10.60
04	6.00	9.40	10.00	8.60
03	4.00	7.40	8.00	6.60
WITH POST P/N	DIM A	DIM B	DIM C	DIM D

REV.	REVISION RECORD	DATE
AO	NEW RELEASE	21.01.13

GENERAL TOLERANCES	
LINEAR	0.00±0.25
ANGLES	X°±3°
SIZE: A4	0.000±0.10

SCALE:	NAME	DATE
1:1	Wang_jr	21.01.13
APPROVED	Ding_bo	21.01.13
DESIGNER	Ou_jian	21.01.13

PART NO:	WLBTf9-XX2XX0001
TITLE:	BATTERY 3P FEMALE 2.0PH 2.5H CONN

DWG.NO:	ENDE05
REV:	A0



SHEET: 1/1