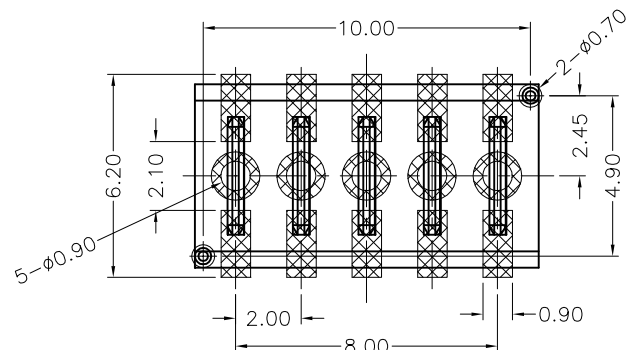
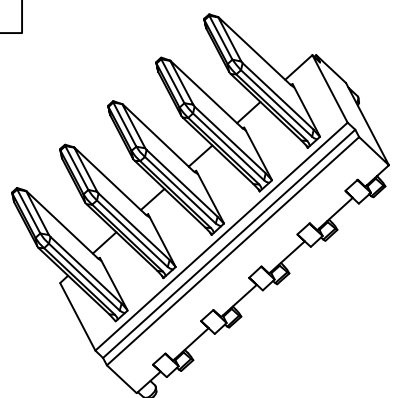
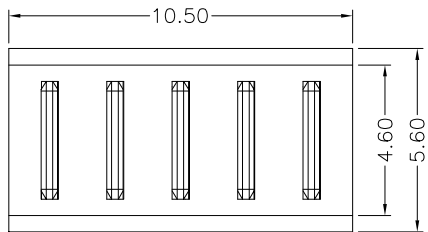
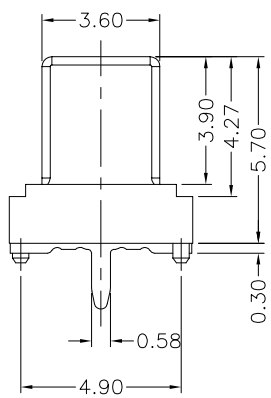
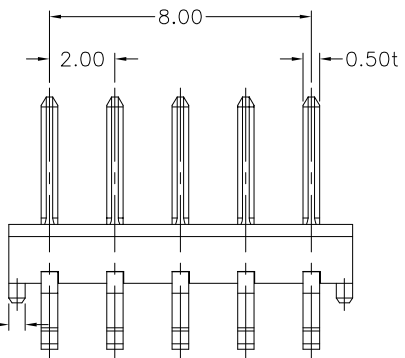


The product using material and processing must conform to the "WI-PZ-001"HSF technical standard control requirements

RoHS

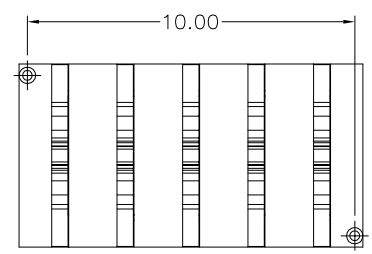



P.C.B LAYOUT
TOLERANCE:±0.05



NOTE:
 1.MATERIAL SPECIFICATION:
 1-1.HOUSING:THERMOPLASTIC, UL94 V-0
 1-2.CONTACTS:COPPER ALLOY.
 2.PLATING SPECIFICATION:
 2-1.CONTACTS:
 Ni 50u" MIN. UNDER PLATED OVER ALL.
 Au PLATED ON THE FUNCTIONAL AREA OF CONTACT.
 3.ELECTRICAL PERFORMANCE:
 3-1.CURRENT RATING:0.5A
 3-2.VOLTAGE RATING:30V MAX
 3-3.CONTACT RESISTANCE: 30m Ohm MAX.
 3-4.INSULATION RESISTANCE: 100MΩ MIN
 3-5.DIELECTRIC WITHSTANDING VOLTAGE: 500V AC MIN.
 4.ENVIRONMENTAL PERFORMANCE:
 OPERATING TEMPERATURE: -20°C~+85°C.

WLBTM0-05 2 X X 0 012
 PLATING: COLOUR:
 1-G/F A:Black
 2-AU 3U"
 5-AU 15U"
 6-AU 30U"



REV.	REVISION RECORD	DATE	UNIT:mm	GENERAL TOLERANCES		SCALE: 1:1	NAME	DATE	PART.NO:	DWG.NO:	 WanLian Teconology Co., Ltd
A0	NEW RELEASE	21.01.13		SIZE: A4	LINEAR 0.0±0.35	ANGLES X'REF±6°	APPROVED	Wang_jr	21.01.13	WLBTM0-052XX0012	
				0.00±0.25	X'±3°	DESIGNER	Ding_bo	21.01.13	TITLE: BATTERY 5P 2.0PH 5.7H CONN		REV: A0
				0.000±0.10	X'X' ±2°	DRAWN	Ou_jian	21.01.13			SHEET: 1/1