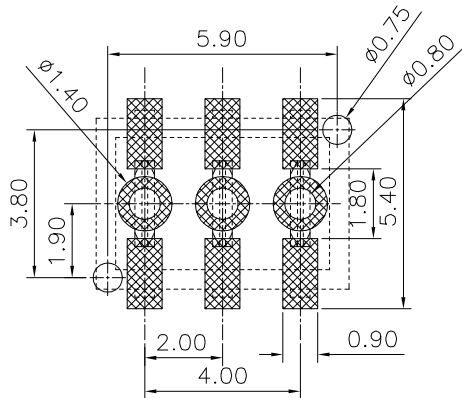
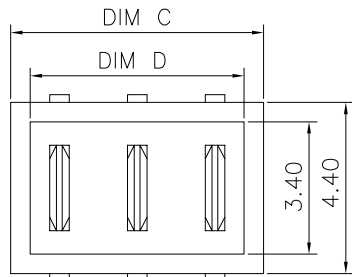


The product using material and processing must conform to the "WI-PZ-001"HSF technical standard control requirements

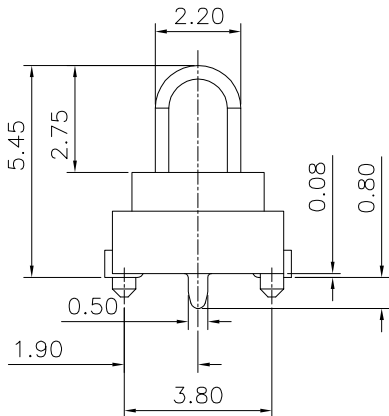
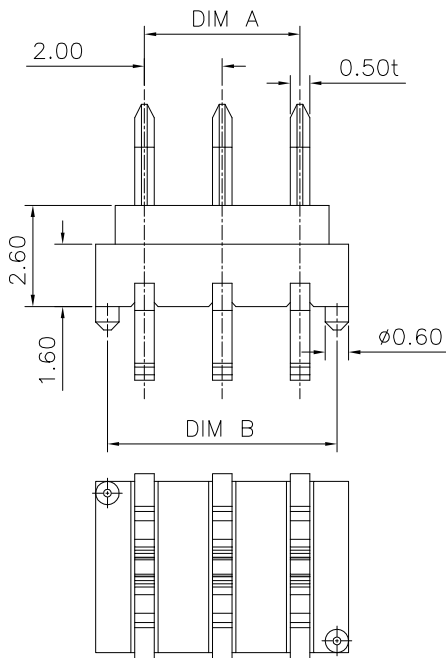
RoHS



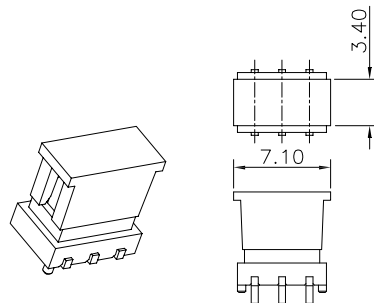
P.C.B LAYOUT
TOLERANCE: ±0.05

NOTE:

- MATERIAL SPECIFICATION:
 - HOUSING:PPA 30% G/F UL94 V-0
 - CONTACTS:COPPER ALLOY.
- PLATING SPECIFICATION:
 - CONTACTS: 1u" GOLD PLATING ON CONTACT AREA
G/F PLATING ON SOLDER TAILS
50u" MIN.NICKEL UNDERPLATING OVER AL
- ELECTRICAL PERFORMANCE:
 - CURRENT RATING:0.5A
 - VOLTAGE RATING:12V MAX
 - CONTACT RESISTANCE: 30m Ohm MAX.
 - INSULATION RESISTANCE: 100MΩ MIN
 - DIELECTRIC WITHSTANDING VOLTAGE: 500V AC MIN.
- ENVIRONMENTAL PERFORMANCE:
 - OPERATING TEMPERATURE: -20°C~+85°C.



WLBTMO-XX 1 X X 004
SEE POST P/N: _____ COLOUR: A:Black
PLATING: _____
1-G/F
2-AU 3U"
5-AU 15U"
6-AU 30U"



08	14.00	15.90	16.50	15.50
07	12.00	13.90	14.50	13.50
06	10.00	11.90	12.50	11.50
05	8.00	9.90	10.50	9.50
04	6.00	7.90	8.50	7.50
03	4.00	5.90	6.50	5.50
WITH POST P/N	DIM A	DIM B	DIM C	DIM D

REV.	REVISION RECORD	DATE		GENERAL TOLERANCES		SCALE: 1:1	NAME	DATE	PART.NO: WLBTMO-XX1XX004	DWG.NO: ENDE05	
AO	NEW RELEASE	21.01.13		LINEAR	ANGLES	APPROVED					
			UNIT:mm	0.00±0.25	X'±3'	DESIGNER	Ding_bo	21.01.13	TITLE: BATTERY 2.0PH 5.2H CONN		
			SIZE: A4	0.000±0.10	X'X' ±2'	DRAWN	Ou_jian	21.01.13			