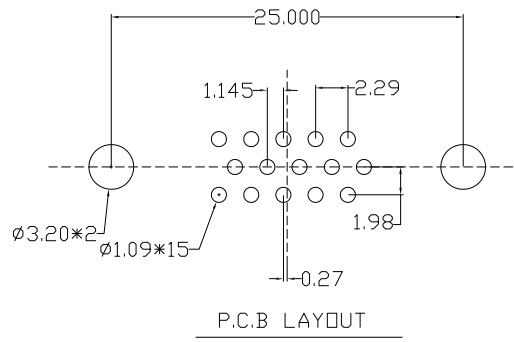
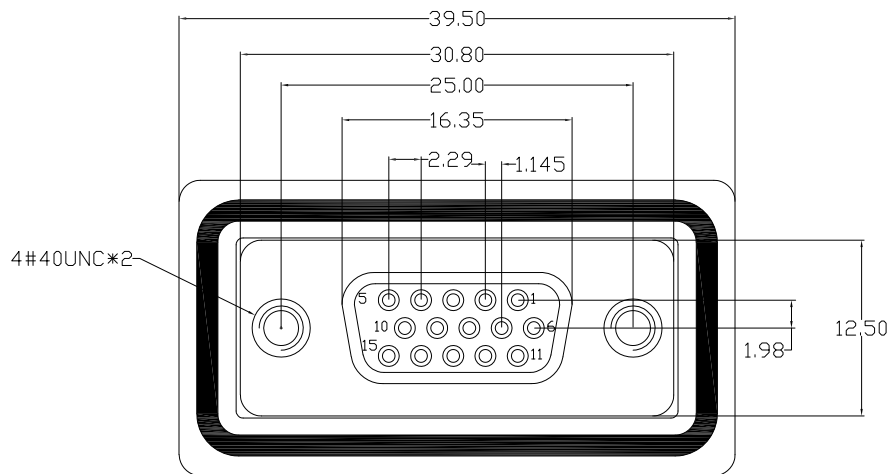


The product using material and processing must conform to the "WI-PZ-001"HSF technical standard control requirements

RoHS

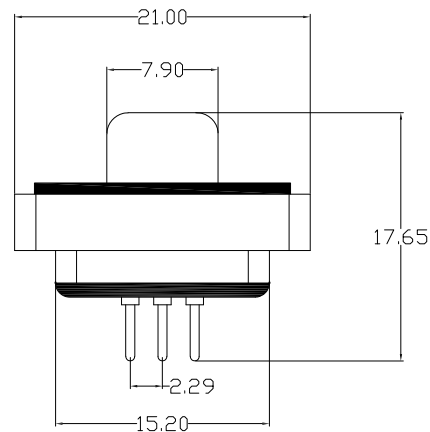
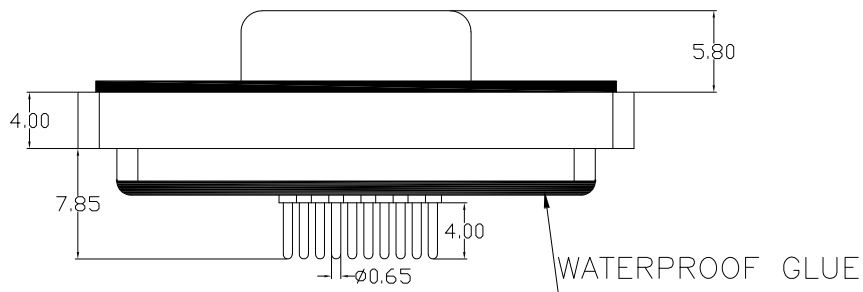



NOTE:  
 1.MATERIAL SPECIFICATION:  
 1-1.HOUSING:PBT FIBER 30% (UL94V-0)  
 1-2.CONTACTS:BRASS. G/F  
 1-3.SHELL: SPCC.  
 FRONT SHELL IS NICKEL PLATED  
 REAR SHELL IS TIN PLATED  
 1-4.THE RIVET: COPPER ALLOY. NICKEL PLATING  
 1-5.WATERPROOF RING:PA66. BLACK  
 2.ELECTRICAL PERFORMANCE:  
 2-1.CURRENT RATING:5A  
 2-2.VOLTAGE RATING:300V AC MIN  
 2-3.CONTACT RESISTANCE: 30mΩ MAX.  
 2-4.INSULATION RESISTANCE: 3000MΩ MIN,at 500V DC  
 2-5.DIELECTRIC WITHSTANDING VOLTAGE: 1000V AC RMS FOR 1MINUTE.  
 3.ENVIRONMENTAL PERFORMANCE:  
 OPERATING TEMPERATURE: -55°C~+105°C.  
 4.WATERPROOF LEVEL:IP67

WLDBFO-151 X X 0068

PLATING:  
 1-G/F  
 2-AU 3U"  
 5-AU 15U"  
 6-AU 30U"

COLOUR:  
 A:Black  
 K:White



REV.	REVISION RECORD	DATE	☉	GENERAL TOLERANCES		SCALE: 1:1	NAME	DATE	PART.NO: WLDBFO-151XX0068	DWG.NO: ENDE05	 WanLian Teconology Co., Ltd
AO	NEW RELEASE	21.01.13		LINEAR	ANGLES	APPROVED					
			UNIT:mm	0.00±0.25	X'±3°	DESIGNER	Ding_bo	21.01.13	TITLE: HDP 15 female needle waterproof		REV: A0 SHEET: 1/1
			SIZE: A4	0.000±0.10	X'X' ±2°	DRAWN	Ou_jian	21.01.13			