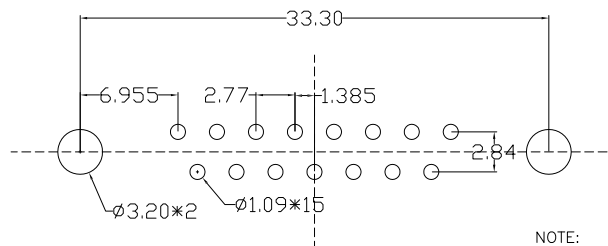
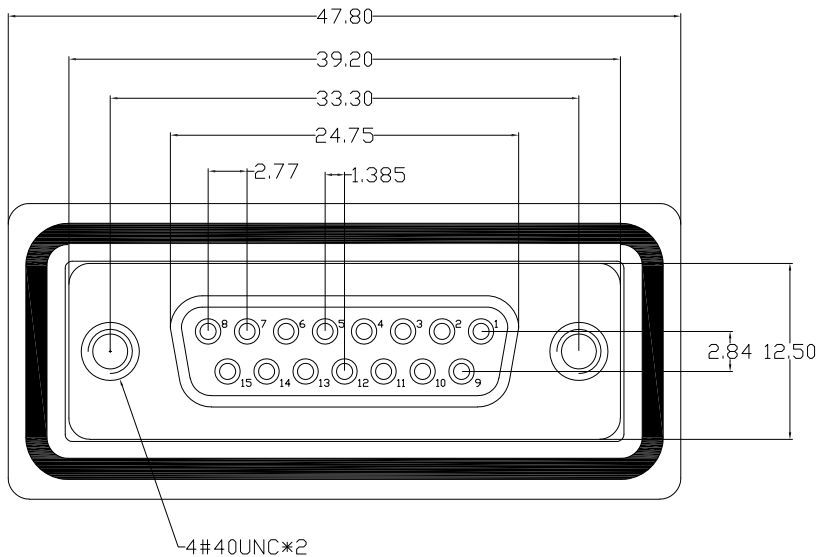


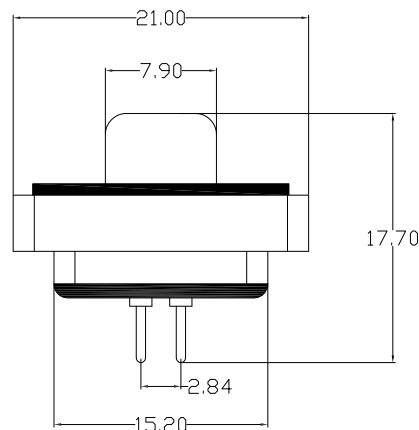
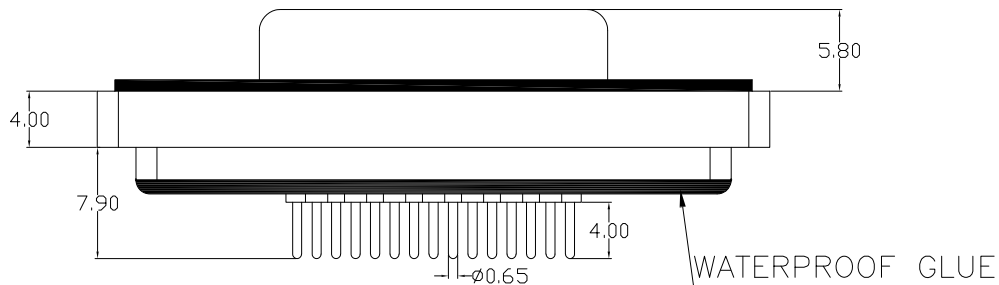
The product using material and processing must conform to the "WI-PZ-001"HSF technical standard control requirements

RoHS



P.C.B LAYOUT

- NOTE:
- MATERIAL SPECIFICATION:
 - HOUSING: PBT FIBER 30% (UL94V-0)
 - CONTACTS: BRASS G/F
 - SHELL: SPCC. FRONT SHELL IS NICKEL PLATED REAR SHELL IS TIN PLATED
 - THE RIVET: COPPER ALLOY. NICKEL PLATING
 - WATERPROOF BOX: PA66. BLACK
 - ELECTRICAL PERFORMANCE:
 - CURRENT RATING: 5A
 - VOLTAGE RATING: 300V AC MIN
 - CONTACT RESISTANCE: 30mΩ MAX.
 - INSULATION RESISTANCE: 3000MΩ MIN, at 500V DC
 - DIELECTRIC WITHSTANDING VOLTAGE: 1000V AC RMS FOR 1MINUTE.
 - ENVIRONMENTAL PERFORMANCE:
 - OPERATING TEMPERATURE: -55°C~+105°C.
 - WATERPROOF LEVEL: IP67



WLDBF0-151 X X 0069

PLATING:
 1-G/F
 2-AU 3U"
 5-AU 15U"
 6-AU 30U"

COLOUR:
 A: Black
 K: White

REV.	REVISION RECORD	DATE		GENERAL TOLERANCES		SCALE: 1:1	NAME	DATE	PART.NO:	DWG.NO:	
A0	NEW RELEASE	21.01.13		LINEAR	ANGLES	APPROVED	Wang_jr	21.01.13	WLDBF0-151XX0069	ENDE05	
			UNIT:mm	0.00±0.25	X'±3'	DESIGNER	Ding_bo	21.01.13	TITLE:		REV: A0 SHEET: 1/1
			SIZE: A4	0.000±0.10	X'X' ±2'	DRAWN	Ou_jian	21.01.13	DP 15 female waterproof		

WanLian Teconology Co., Ltd