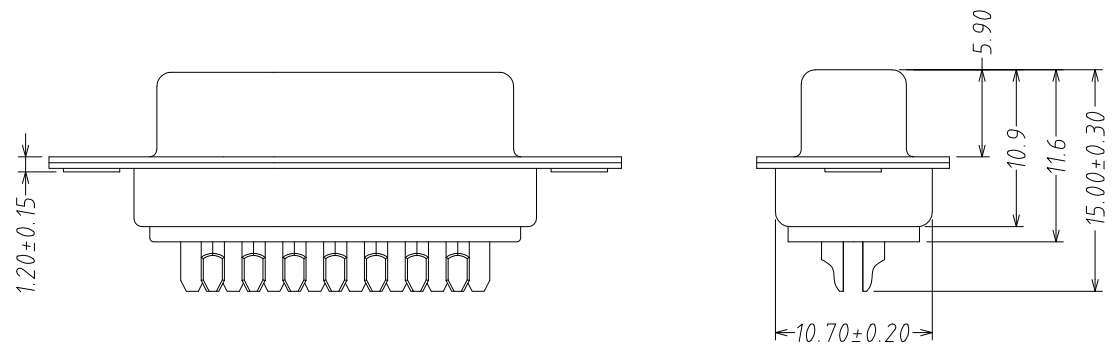
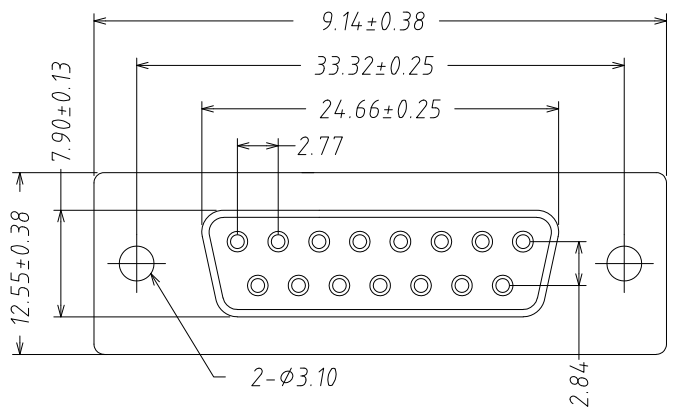


The product using material and processing must conform to the "WI-PZ-001"HSF technical standard control requirements



NOTE:
 1.MATERIAL SPECIFICATION:
 1-1.HOUSING:PBT FIBER 30% (UL94V-0)
 1-2.CONTACTS:Copper alloy
 1-3.SHELL: STAINLESS STEEL/SPCC.
 2.PLATING SPECIFICATION:
 2-1.CONTACTS:
 NI 40U" MIN. UNDER PLATED OVER ALL.
 AU PLATED ON THE FUNCTIONAL AREA OF CONTACT.
 2-2. SHELL:
 NI 30U" MIN. UNDER PLATED OVER ALL.
 3.ELECTRICAL PERFORMANCE:
 3-1.CURRENT RATING:1.5A
 3-2.VOLTAGE RATING:AC 300V
 3-3.CONTACT RESISTANCE: 30mΩ MAX.
 3-4.INSULATION RESISTANCE: 3000MΩ MIN
 3-5.DIELECTRIC WITHSTANDING VOLTAGE:1000V r.m.s.



WLDBF0-154 X X 0092
 PLATING:
 1-G/F
 2-AU 3U"
 5-AU 15U"
 6-AU 30U"
 COLOUR:
 A:Black
 K:White

REV.	REVISION RECORD	DATE		GENERAL TOLERANCES		SCALE: 1:1	NAME	DATE	PART.NO:	DWG.NO:	
A0	NEW RELEASE	21.01.13		LINEAR	ANGLES	APPROVED	Wang_jr	21.01.13	WLDBF0-154XX0092	ENDE05	
			UNIT:mm	0.00±0.25	X'±3°	DESIGNER	Ding_bo	21.01.13	TITLE: DB 15F Welding		REV: A0 SHEET: 1/1
			SIZE: A4	0.000±0.10	X'X' ±2°	DRAWN	Ou_jian	21.01.13			