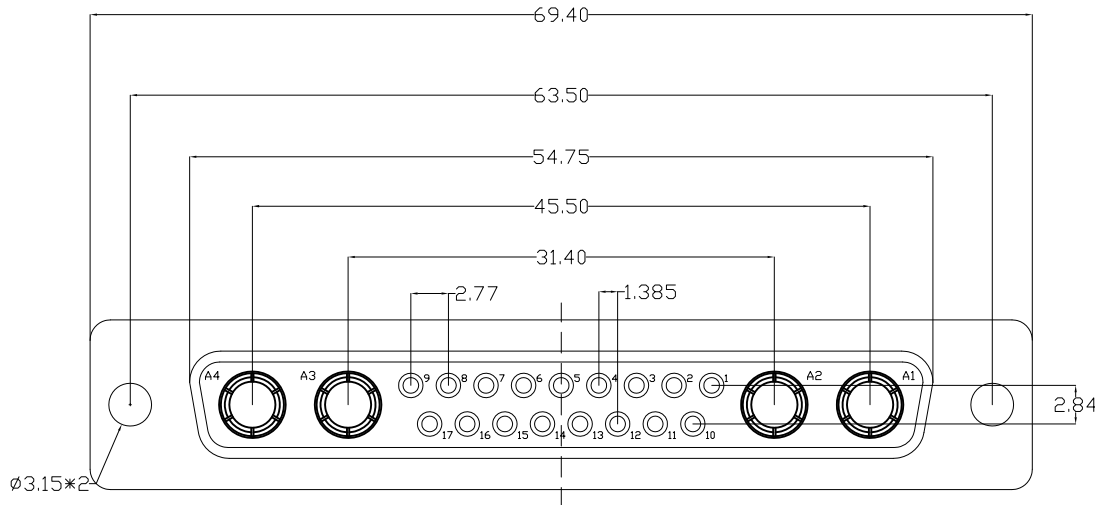


The product using material and processing must conform to the "WI-PZ-001" HSF technical standard control requirements

RoHS

Rated current	∅A	∅B	∅C	Apply to wire diameter
10A	∅2.60	∅1.80	∅5.00	14~16AWG
20A	∅3.60	∅2.80	∅5.00	10~12AWG
30A	∅4.50	∅3.50	∅5.00	8~10AWG
40A	∅5.40	∅4.60	∅5.50	6~8AWG



WLDBFO-174 X X X 067

PLATING:
 1-G/F
 2-AU 3U"
 5-AU 15U"
 6-AU 30U"

Rated current
 1:10A
 2:20A
 3:30A
 4:40A

COLOUR:
 A:Black
 K:White

SPECIFICATION

MATERIAL

Insulator: PBT , rated UL94V-0

Contacts: Brass

Shell: Steel

Rivet: Copper alloy

CONTACT PLATING

Underplated: 40u" Nickel

Contact area: 1u"~30u" gold

ELECTRICAL

Operation voltage: 500 VAC max.

Signal contact current rating: 10A-40A mps

Signal contact resistance: 30mΩ MAX..

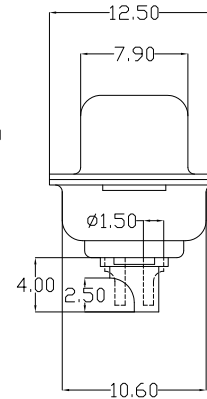
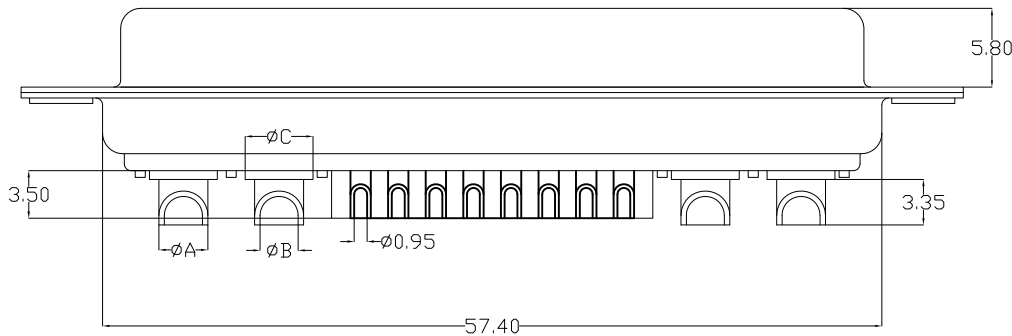
High power current rating: 10,20,30,40 Amps


High power contact resistance: 30mΩ MAX.

Insulation resistance: 5000 Mohms min @ 500 VDC

Dielectric withstanding voltage: 1000 VAC / minute

Operating temperature: -55°C TO +105°C



REV.	REVISION RECORD	DATE	UNIT:mm	GENERAL TOLERANCES		SCALE: 1:1	NAME	DATE	PART.NO:	DWG.NO:	 WanLian Teconology Co., Ltd
A0	NEW RELEASE	21.01.13		SIZE: A4	LINEAR	ANGLES	APPROVED	Wang_jr	21.01.13	WLDBFO-174XXX067	
			0.0±0.35		X'REF±6°	DESIGNER	Ding_bo	21.01.13	TITLE:		
				0.00±0.25	X'±3°	DRAWN	Ou_jian	21.01.13	D-SUB 21W4 FEMALE BUR		REV: A0
				0.000±0.10	X'X' ±2°						SHEET: 1/1