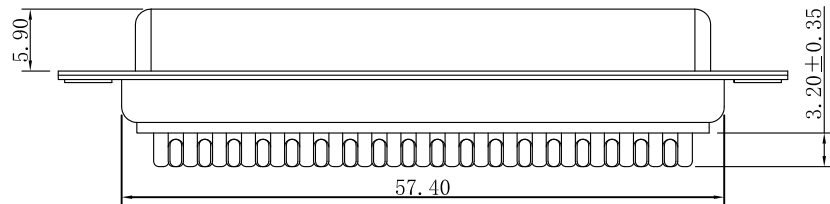
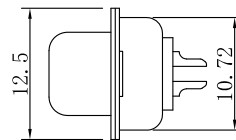
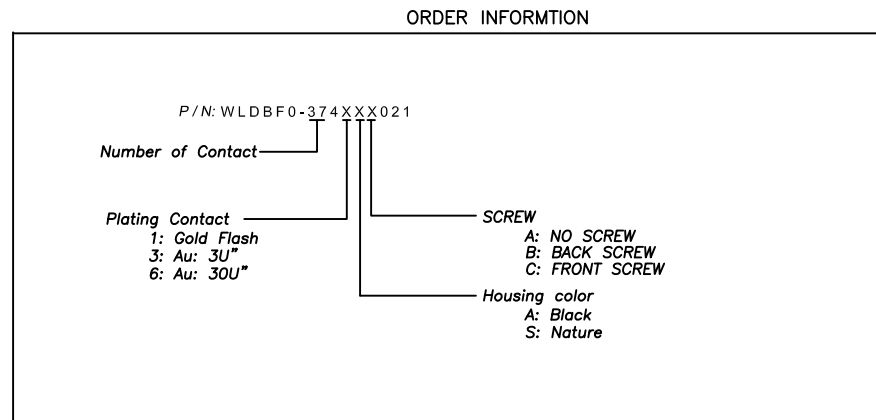
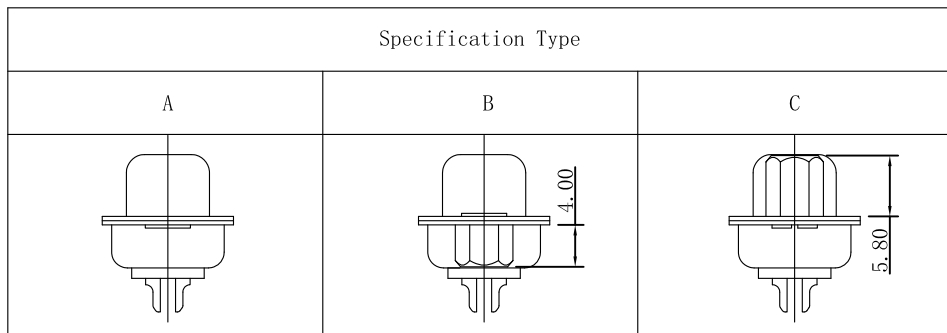


The product using material and processing must conform to the "WI-PZ-001" HSF technical standard control requirements



CHARACTERISTICS/特性:

- 1、RATED VOLTAGE: 250V AC CD
- 2、RATED CURRENT: 3.0AMP
- 3、CONTACT RESISTANCE: 30mΩ Max.
- 4、INSULATION RESISTANCE: 1000 MΩ MIN. 500V DC
- 5、Electric Pressure: Keeping 60 second in AC 500V/1mA
- 6、Operating temperature: -55℃~105℃
- 7、INSERTION/EXTRACTION FORCE PER CONTACT: 12.5Kg Max  
1.1Kg Min.



REV.	REVISION RECORD	DATE		GENERAL TOLERANCES		SCALE:	NAME	DATE	PART. NO:	DWG. NO:	 WanLian Teconology Co., Ltd		
A0	NEW RELEASE	21.01.13		LINEAR	ANGLES	1:1						APPROVED	Wang_jr
			UNIT: mm	0.00 ± 0.25	X° ± 3°	DESIGNER	Ding_Bo	21.03.11	TITLE:			REV: A0	SHEET: 1/1
			SIZE: A4	0.000 ± 0.10	X° X' ± 2°	DRAWN	Ou_Jian	21.03.11	DB 37F SOLDERING				