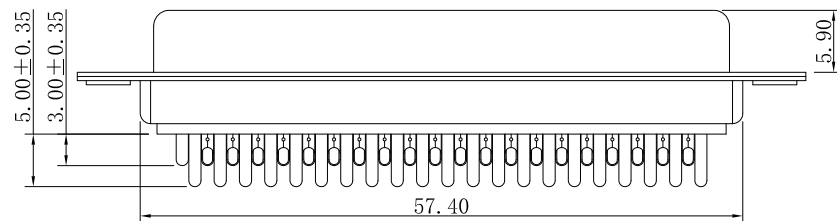
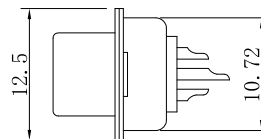


The product using material and processing must conform to the "WI-PZ-001" HSF technical standard control requirements

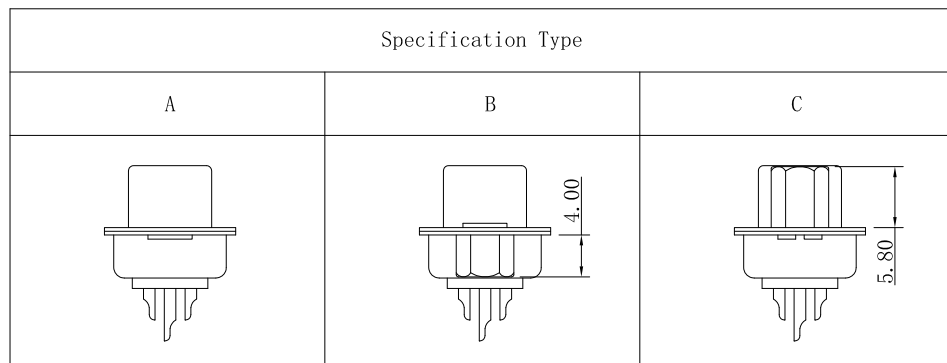
RoHS



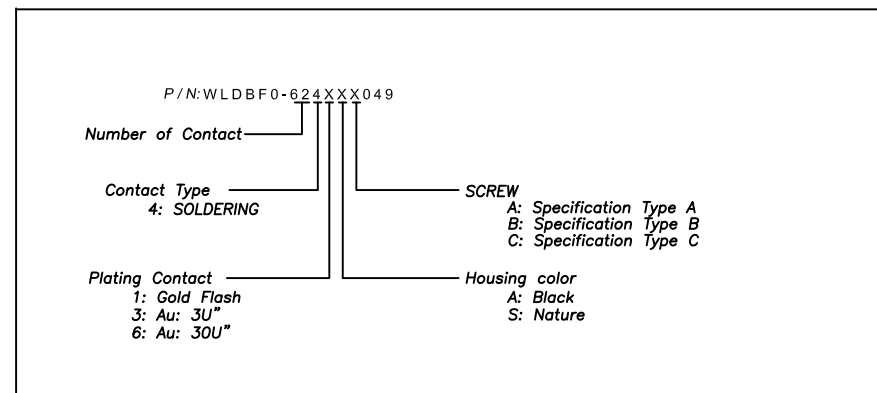
CHARACTERISTICS:

- 1、RATED VOLTAGE: 250V AC CD
- 2、RATED CURRENT: 3.0AMP
- 3、CONTACT RESISTANCE: 30mΩ Max.
- 4、INSULATION RESISTANCE: 1000 MΩ MIN.500V DC
- 5、Electric Pressure: Keeping 60 second in AC 500V/1mA
- 6、Operating temperature: -55°C~105°C
- 7、INSERTION/EXTRACTION FORCE PER CONTACT: 13.2Kg Max
1.1Kg Min.

Specification Type



ORDER INFORMTION



REV.	REVISION RECORD	DATE		GENERAL TOLERANCES		SCALE: 1:1	NAME	DATE	PART. NO:	DWG. NO:	 WanLian Teconology Co., Ltd
A0	NEW RELEASE	21.01.13		LINEAR	ANGLES	APPROVED	Wang_jr	21.03.11	WLDBF0-624XXX049	ENDE05	
			0.0±0.35	X° REF±6°	DESIGNER	Ding_Bo	21.03.11	TITLE:			
			UNIT: mm	0.00±0.25	X° ±3°	DRAWN	Ou_Jian	21.03.11	HDB 62F SOLDERING	REV: A0	
			SIZE: A4	0.000±0.10	X° X'±2°						