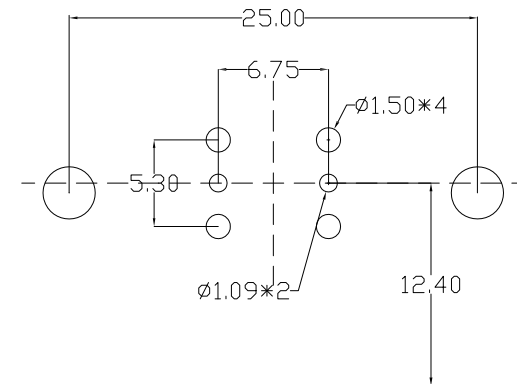
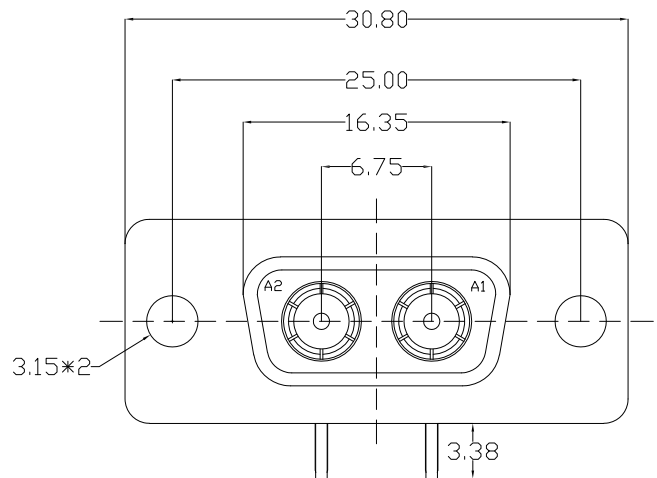


The product using material and processing must conform to the "WI-PZ-001"HSF technical standard control requirements

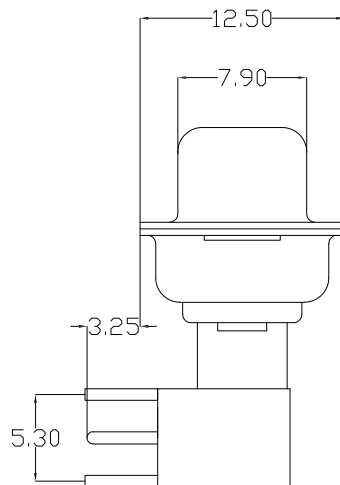
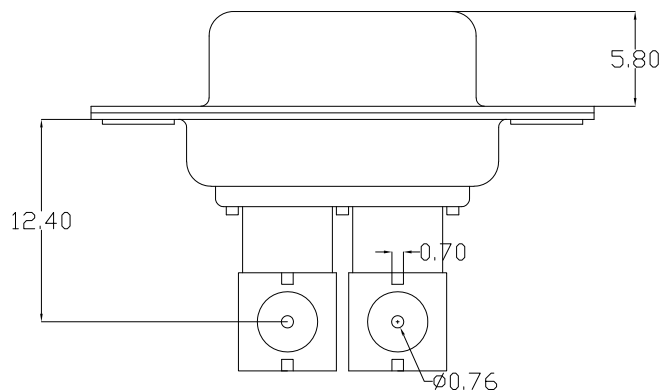
RoHS



P.C.B LAYOUT

NOTE:

- 1.MATERIAL SPECIFICATION:
 - 1-1.HOUSING:PBT FIBER 30% (UL94V-0)
 - 1-2.CONTACTS:Copper alloy
 - 1-3.SHELL: SPCC.
- 2.PLATING SPECIFICATION:
 - 2-1.CONTACTS:
 - NI 40U" MIN. UNDER PLATED OVER ALL.
 - AU PLATED ON THE FUNCTIONAL AREA OF CONTACT.
 - 2-2. SHELL:
 - NI 30U" MIN. UNDER PLATED OVER ALL.
- 3.ELECTRICAL PERFORMANCE:
 - 3-1.CURRENT RATING:3A
 - 3-2.VOLTAGE RATING:300V AC
 - 3-3.HIGH FREQUENCY RESISTANCE: 50 OR 75 OHM.
 - 3-4.INSULATION RESISTANCE: 3000MΩ MIN
 - 3-5.DIELECTRIC WITHSTANDING VOLTAGE: 1000V AC MIN.
- 4.ENVIRONMENTAL PERFORMANCE:
 - OPERATING TEMPERATURE: -55°C~+105°C.



WLDBF9-02 1 X X 0085

PLATING: 1-G/F
2-AU 3U"
5-AU 15U"
6-AU 30U"
COLOUR: A:Black
K:White

REV.	REVISION RECORD	DATE		GENERAL TOLERANCES		SCALE: 1:1	NAME	DATE	PART.NO:	DWG.NO:	
A0	NEW RELEASE	21.01.13		LINEAR	ANGLES	APPROVED	Wang_jr	21.01.13	WLDBF9-021XX0085	ENDE05	
			0.0±0.35	X'REF±6°	DESIGNER	Ding_bo	21.01.13	TITLE:		REV: A0	SHEET: 1/1
			0.00±0.25	X'±3°	DRAWN	Ou_jian	21.01.13	2W2 female coaxial			
			UNIT:mm	X'X' ±2°							
			SIZE: A4	0.000±0.10							