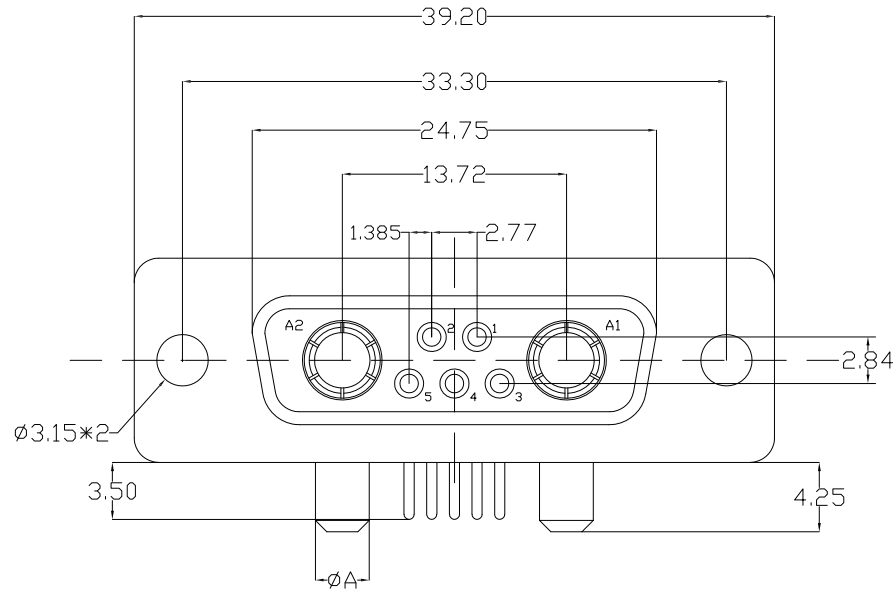
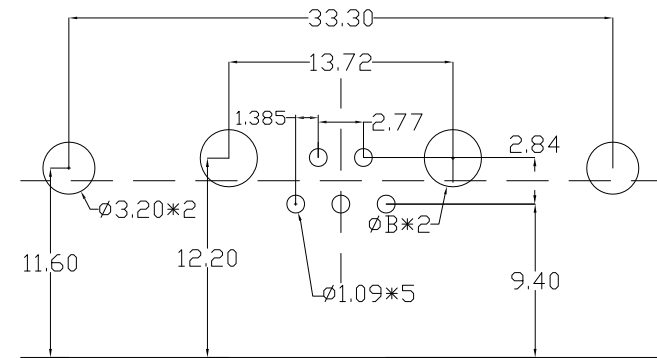


The product using material and processing must conform to the "WI-PZ-142"HSF technical standard control requirements



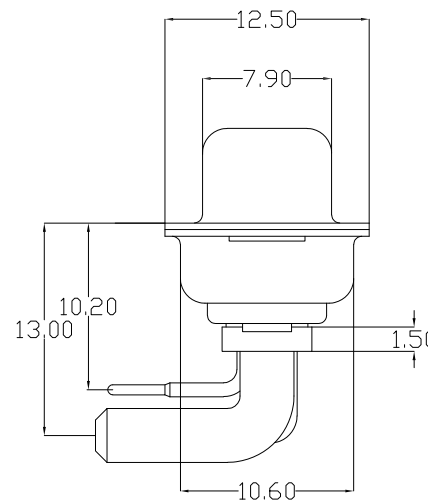
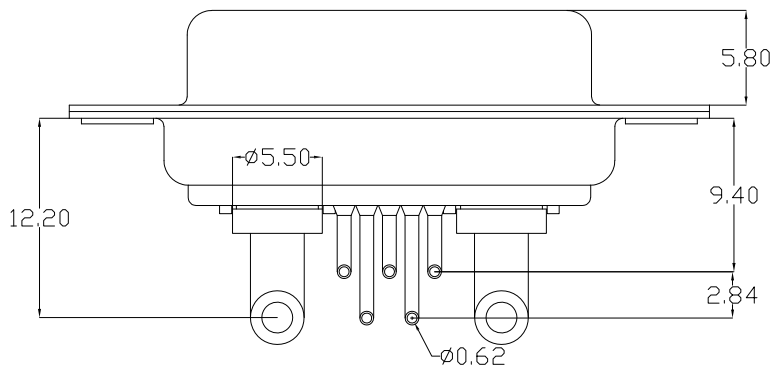
额定电流	ϕA	PCB孔 ϕB
10A	$\phi 1.80$	$\phi 2.00$
20A	$\phi 2.80$	$\phi 3.00$
30A	$\phi 3.30$	$\phi 3.50$
40A	$\phi 3.80$	$\phi 4.00$



P.C.B LAYOUT

NOTE:

- MATERIAL SPECIFICATION:
 - HOUSING: PBT FIBER 30% (UL94V-0)
 - CONTACTS: BRASS
 - SHELL: STAINLESS STEEL
 - HARPOON: COPPER ALLOY
- PLATING SPECIFICATION:
 - CONTACTS:
 - NI 40U" MIN. UNDER PLATED OVER ALL. AU PLATED ON THE FUNCTIONAL AREA OF CONTACT.
 - SHELL:
 - NI 30U" MIN. UNDER PLATED OVER ALL.
- ELECTRICAL PERFORMANCE:
 - CURRENT RATING: 10A-40A
 - VOLTAGE RATING: 300V AC MAX
 - CONTACT RESISTANCE: 30m Ω MAX.
 - INSULATION RESISTANCE: 5000M Ω MIN
 - DIELECTRIC WITHSTANDING VOLTAGE: 1000V AC MIN.
- ENVIRONMENTAL PERFORMANCE:
 - OPERATING TEMPERATURE: -55°C~+105°C.



WLDBF9-07 1 X X X 14-070

PLATING: 1-G/F
2-AU 3U"
5-AU 15U"
6-AU 30U"

RATED CURRENT:
1-10A
2-20A
3-30A
4-40A

COLOUR:
A:Black
K:White

REV.	REVISION RECORD	DATE		GENERAL TOLERANCES		SCALE: 1:1	NAME	DATE	PART.NO:	DWG.NO:	
AO	NEW RELEASE	21.01.13		LINEAR	ANGLES	APPROVED	Wang_jr	21.01.13	WLDBF9-071XXX14-070	ENDE05	
			UNIT:mm	X'±3°	DESIGNER	Ding_bo	21.01.13	TITLE:			
			SIZE: A4	0.000±0.10	X'X' ±2°	DRAWN	Ou_jian	21.01.13	D-SUB 7W2 female		
										REV: A0	SHEET: 1/1