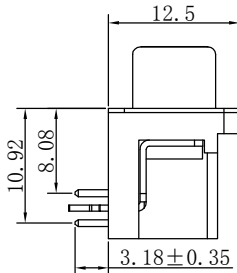
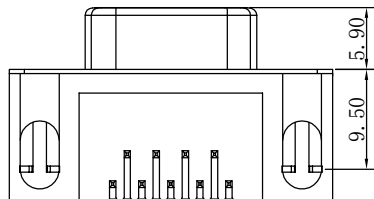
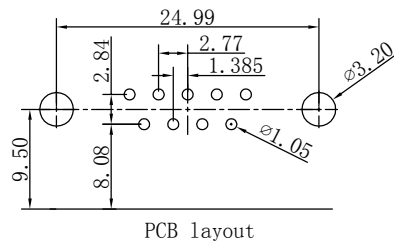
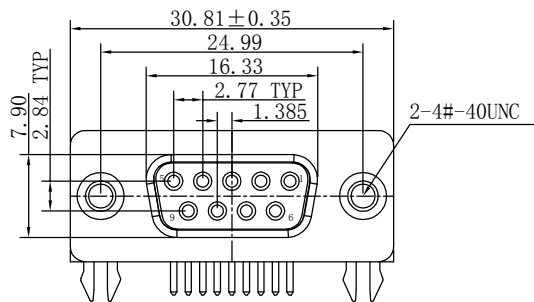


The product using material and processing must conform to the "WL-PZ-001"HSF technical standard control requirements

RoHS

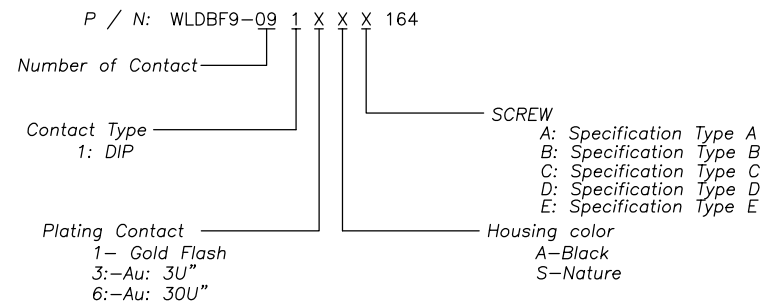


- Specification:
- \* Housing: PBT,UL94V-0
  - \* Contacts: Copper alloy  
Gold flash plated over all.
  - \* Shell: Spcc  
Nickel plated over all.
  - \* Insertion force per contact: 3.0kg max
  - \* Extraction force per contact: 0.3kg min.
  - \* Current Rating: 3.0A
  - \* Rated Voltage: 250V AC/DC
  - \* Contact Resistance: 30 mΩ Max
  - \* Insulation Resistance: 1000MΩ Min
  - \* Dielectric Withstanding: 500V
  - \* Operating Temperature: -55°C~+105°C.
  - \* The Product Using Material And Processing Must Conform To The "WL-PZ-142" Hsf Technical Standard Control Requirements
  - \* P/N:

Specification Type (1:2)

A	B	C	D	E
	4.80	5.80	4.80	5.80

ORDER INFORMTION



REV.	REVISION RECORD	DATE		GENERAL TOLERANCES		SCALE: 1:1	NAME	DATE	PART.NO:	DWG.NO:	
A0	NEW RELEASE	21.01.13		LINEAR	ANGLES	APPROVED	Wang_jr	21.01.13	WLDBF9-091XXX164	ENDE05	
			UNIT:mm	0.00±0.25	X'±3'	DESIGNER	Han_Gao	21.01.13	TITLE:		REV: A0    SHEET: 1/1
			SIZE: A4	0.000±0.10	X'X' ±2'	DRAWN	Zijun_Huang	21.01.13	DR 9P/F 8.08 DIP 铆锁		